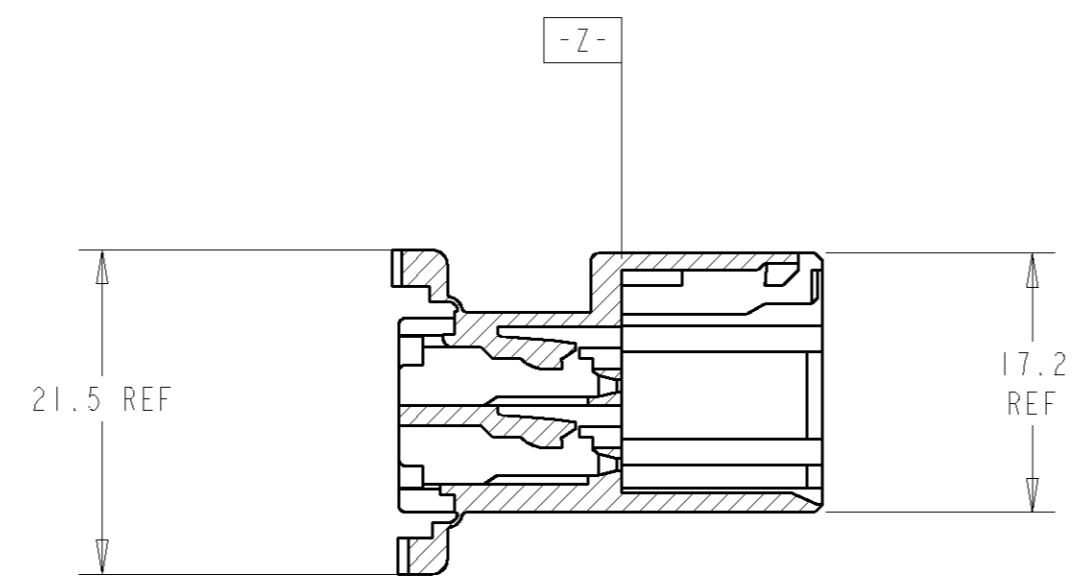
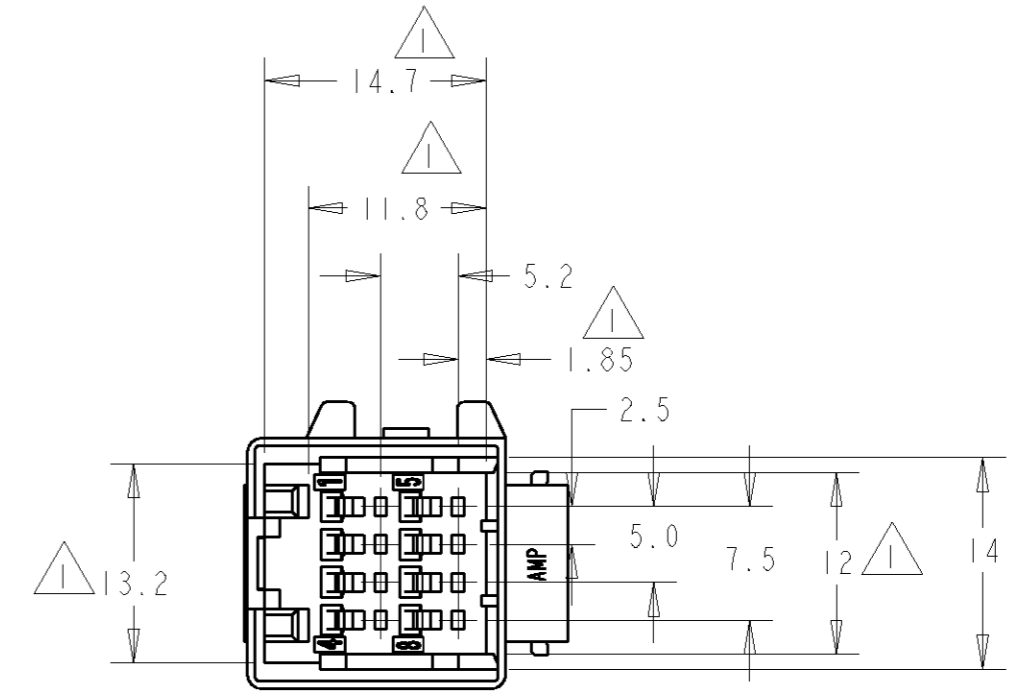
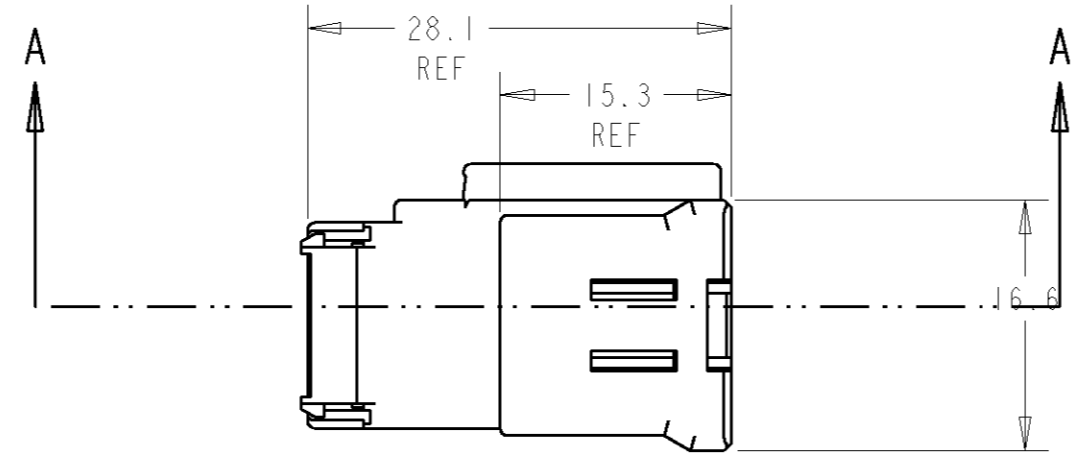
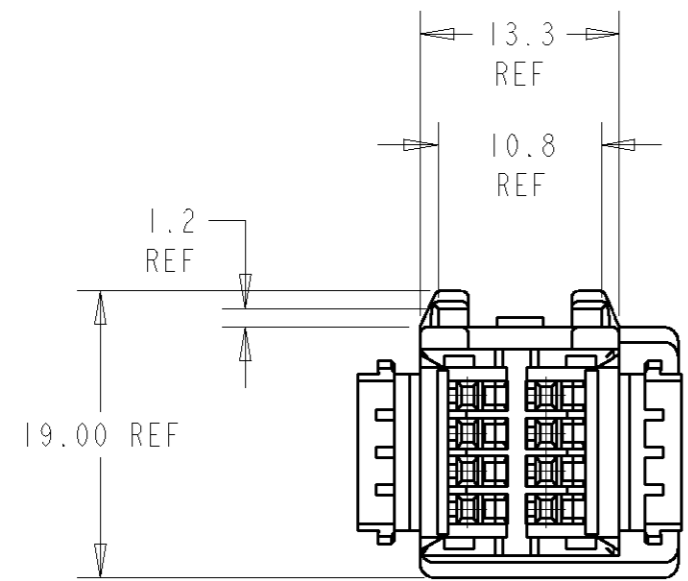
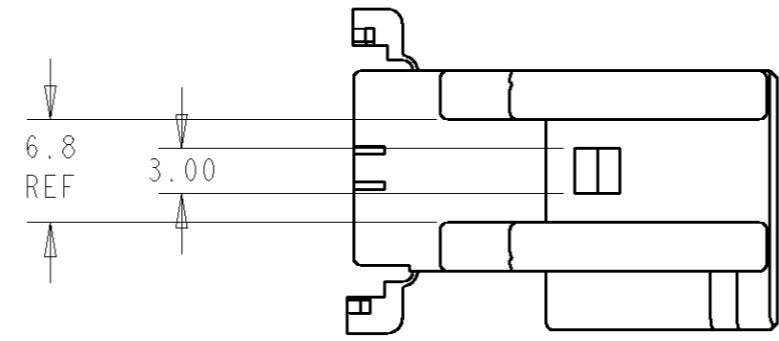
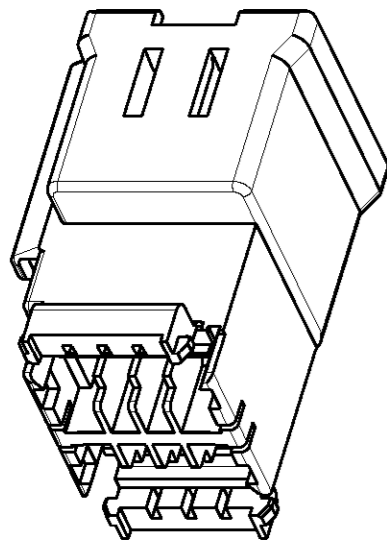


THIS DRAWING IS UNPUBLISHED. RELEASED FOR PUBLICATION  
 BY AMP INCORPORATED. ALL RIGHTS RESERVED.

LOC	DIST	REVISIONS			
P	LTR	DESCRIPTION	DATE	DWN	APVD
FX	55	A	REV PER EC 0K80-0108-99	20SEP99	JRB MAM
		B	REV PER EC 0K80-0159-99	17NOV99	JRB GEM
		-	-	-	-
		-	-	-	-

1. TO BE MEASURED BETWEEN -Z- AND 2mm FROM -Z-.
2. THE MATING PLUG HOUSING PART NUMBER IS 353490.
3. APPLICABLE CONTACT PART NUMBER IS 173682



SECTION A-A

WHITE	638225-1
COLOR	PART NO

<small>THIS DRAWING IS A CONTROLLED DOCUMENT FOR AMP INCORPORATED. IT IS SUBJECT TO CHANGE AND THE CONTROLLING ENGINEERING ORGANIZATION SHOULD BE CONTACTED FOR THE LATEST REVISION.</small>		DWN Y. PETERSON 02SEP98 CHK S. KROEGER 02SEP98 APVD S. KROEGER 02SEP98	<b>AMP</b> AMP Incorporated Harrisburg, PA 17105-3608
DIMENSIONS: mm	TOLERANCES UNLESS OTHERWISE SPECIFIED: 0 PLC ±0.25 1 PLC ±0.15 2 PLC ±0.1 3 PLC ± 4 PLC ± ANGLES ±3 FINISH -	PRODUCT SPEC 108-5352 APPLICATION SPEC 114-5108 WEIGHT -	NAME CAP HOUSING, .040 8 POS, MULTI-LOCK CONNECTOR W/PANEL CLIP
MATERIAL -		CUSTOMER DRAWING	SIZE A2 CAGE CODE 00779 DRAWING NO. C-638225 RESTRICTED TO -
		SCALE 2:1	SHEET 1 OF 1 REV B

单击下面可查看定价，库存，交付和生命周期等信息

[>>TE Connectivity\(泰科\)](#)