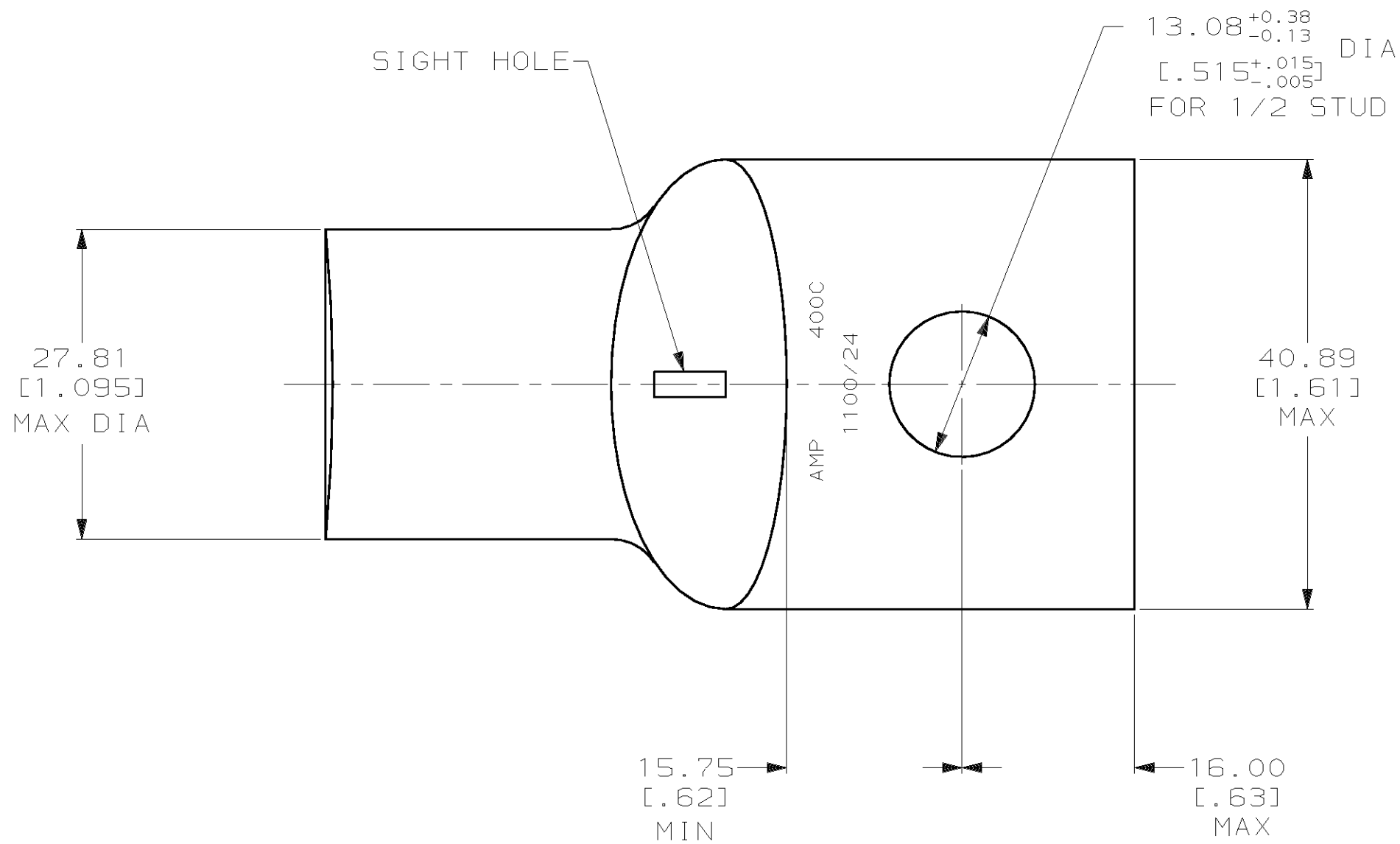


THIS DRAWING IS UNPUBLISHED. RELEASED FOR PUBLICATION
 © COPYRIGHT 19 BY AMP INCORPORATED. ALL INTERNATIONAL RIGHTS RESERVED.

LOC		DIST		P		F		ZONE		LTR		REVISIONS		DATE	APPD
G		86										V	REV PER 0G3A-0561-01	08OCT02	JR



1 CIRCULAR MIL AREA RANGE: 375-450 MCM
 2 TIN PL 0.00381 [0.00150] MIN THK PER MIL-T-10727

NONE	326005-2
REQD	326005
SIGHT HOLE	PART NO

DO NOT SCALE PRINT. UNLESS SPECIFIED DIMENSIONS IN mm [INCHES] TOLERANCES ON : 2 PLC DEC ± 0.51 [0.020] 3 PLC DEC ± - ANGLES ± -	DR 03/09/90 DK SCHRUM	AMP INCORPORATED Harrisburg, Pa. 17105		
	CHK 23JAN95 MS FEHER			NAME
MATERIAL	APPD 23JAN95 WJ VOCKROTH	TERMINAL, AMPPOWER™ WIRE SIZE: 400 MCM		
ANNEALED COPPER ASTM B-75	APPD 23JAN95 TL SHUTTER			
FINISH	PRODUCT SPEC 108-30200	SIZE	CAGE CODE	DRAWING NO
	APPLICATION SPEC -	C	00779	326005
	WEIGHT .226 LB	SCALE	2:1	SHEET 1 OF 1



单击下面可查看定价，库存，交付和生命周期等信息

[>>TE Connectivity\(泰科\)](#)