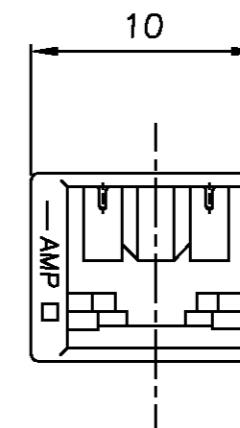
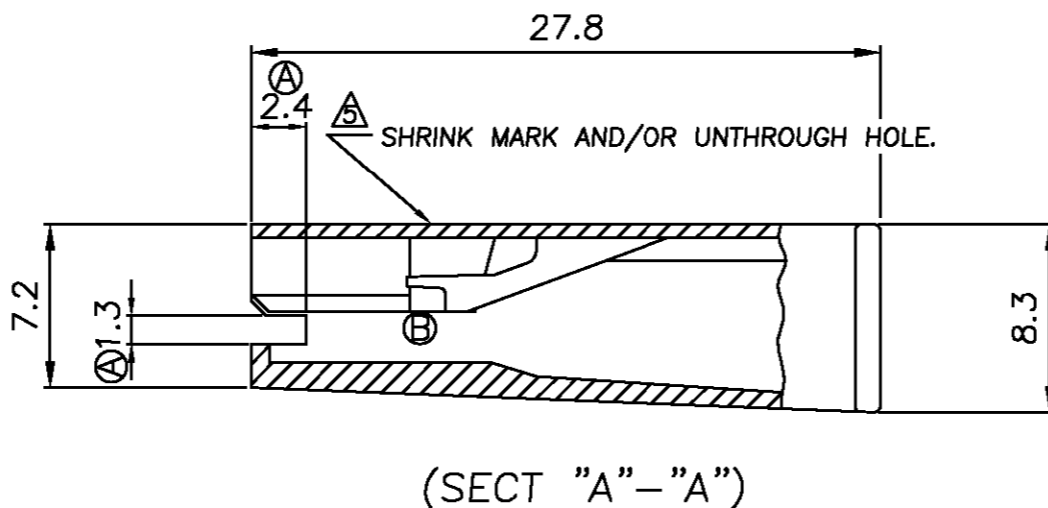
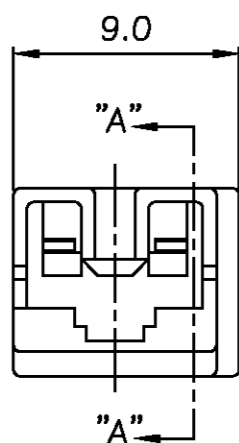


P	LTR	DESCRIPTION	DATE	DWN	APVD
	0	RELEASED PER FC00-0105-02	9/JUL/02	BW	CS
	A	REVISED PER FC00-0258-04	21/OCT/04	SC	CS
	B	REVISED PER FC00-0320-04	04/JAN/05	SC	CS



NOTES;

1. PRODUCT SPECIFICATION 108-5127.
 2. APPLICABLE CONTACT
P/N ; 170327, 170328, 170329
 3. SEE CP78-26023. ABOUT APPLICABLE TAB.
- ▲ MATERIAL ; PBT (94V-0)
- ▲ THERE ARE A FEW CASES THAT SHRINK MARK AND/OR UNTHROUGH HOLE OCCURS IN THIS AREA, BUT NOT INFLUENCE TO CONN. FUNCTION.

NATURAL	936361-1
COLOR	P/N

DWN S.C.KIM		tyco Electronics		AMP KOREA. kyungsan, korea	
CHK B.W.KANG				NAME "250" SERIES	
APVD C.S.LEE		PRODUCT SPEC SEE NOTE		1 POS. POSITIVE LOCK(MARK-II)REC.HSG	
APPLICATION SPEC		SIZE A3	CAGE CODE 00779	DRAWING NO 936361	
MATERIAL SEE NOTE		WEIGHT		SCALE N.S	SHEET 1 OF 1
DIMENSIONS: MM		TOLERANCES UNLESS OTHERWISE SPECIFIED:		REV B	
3rd ANGLE PROJECTION		0 <XX<10 ± 0.2 10 <XX<30 ± 0.25 30 <XX ± 0.3 ANGLES ± 3'			

单击下面可查看定价，库存，交付和生命周期等信息

[>>TE Connectivity\(泰科\)](#)