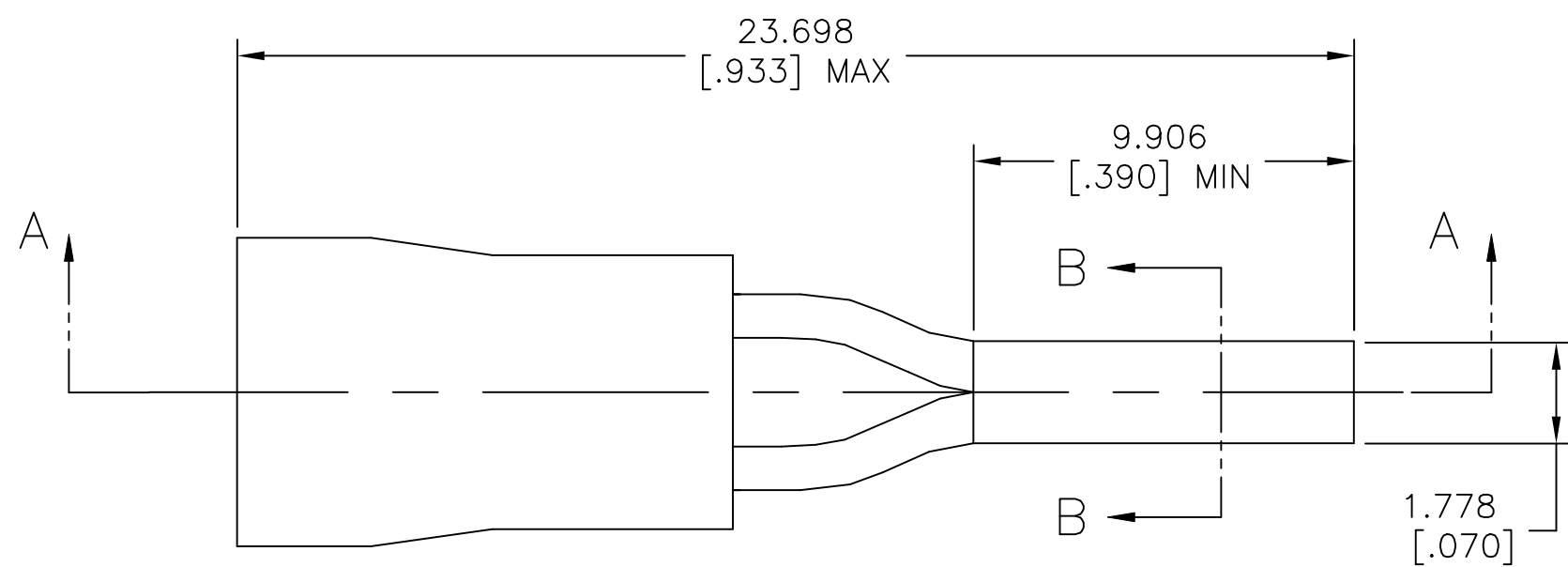


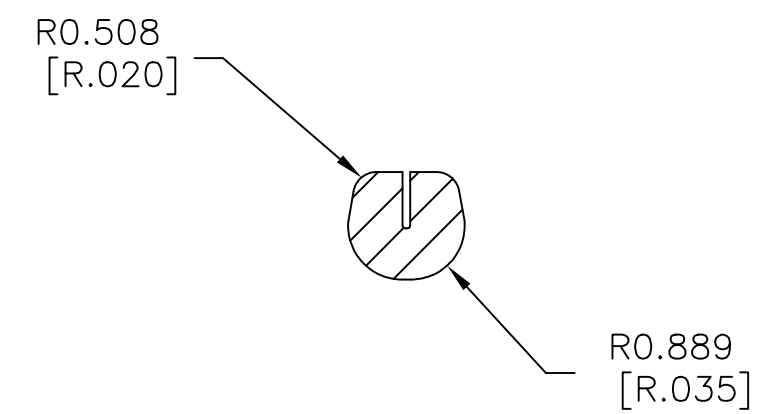
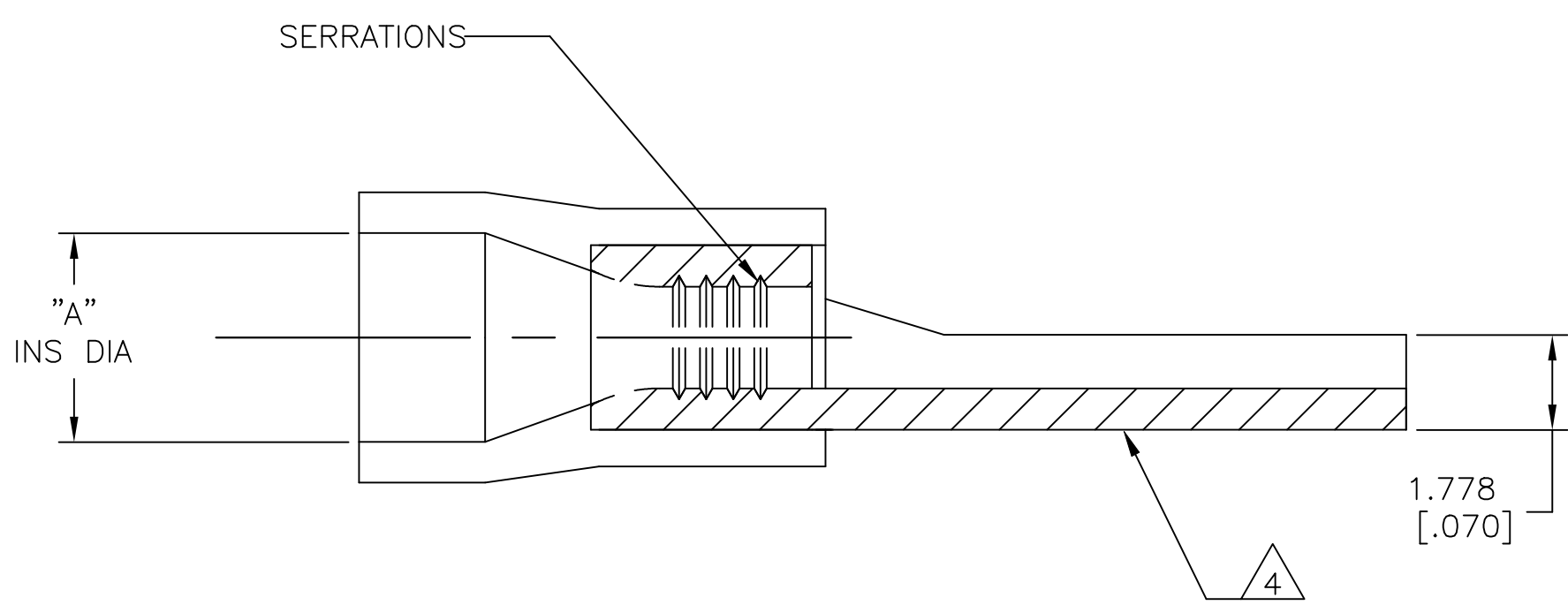
THIS DRAWING IS UNPUBLISHED. RELEASED FOR PUBLICATION
 © COPYRIGHT - - ALL RIGHTS RESERVED.

REVISIONS					
P	LTR	DESCRIPTION	DATE	DWN	APVD
G2		REVISED PER ECO-14-003208	17MAR2014	NK	DR
G3		REVISED PER ECO-18-002275	19FEB2018	RS	DR



- 1 WIRE SIZE IS #16-#14 AWG
- 2 SUPERSEDED BY 165171
- 3 OBSOLETE - NO REPLACEMENT
- 4 STAMP AMP 16-14* APPROX AS SHOWN
- 5 MAX RECOMMENDED OPERATING TEMPERATURE 105°C[221°F]
- 6 MATERIAL: BODY-COPPER PER ASTM B152 INSULATION-PVC
- 7 FINISH: BODY-TIN PLATE .00254[.000100] MIN EXT THK PER ASTM B454 INSULATION-COLOR-BLUE

2.921-4.318[.115-.170]	---	165171-1	2
2.921-4.826[.115-.190]	2-165171-0	165171	3
INSUL DIA RANGE. "A"	P/N ON TAPE	PART NO.	



AMP WIRE RANGE	FILE E13288
16-14 AWG STRANDED	16-14 AWG STRANDED

1000	LOOSE PIECE	165171
QTY	PACKAGE TYPE	PART NO

THIS DRAWING IS A CONTROLLED DOCUMENT.		DWN	31MAY07	TE Connectivity Ltd.	
DIMENSIONS: mm [INCHES]		CHK	31MAY07	NAME	
TOLERANCES UNLESS OTHERWISE SPECIFIED:		T MICHIELUTTI		TERMINAL, WIRE PIN, PLASTI-GRIP, 16-14 AWG	
0 PLC ± -	1 PLC ± -	APVD	31MAY07	SIZE	CAGE CODE
2 PLC ± -	3 PLC ± 0.203[.008]	T MICHIELUTTI		DRAWING NO	RESTRICTED TO
4 PLC ± -	ANGLES ± 1°	PRODUCT SPEC		114-2161	
MATERIAL	FINISH	APPLICATION SPEC		WEIGHT	SCALE
6	7	114-2161		-	8:1
CUSTOMER DRAWING		114-2161		SHEET	1 of 1
		114-2161		REV	G3

单击下面可查看定价，库存，交付和生命周期等信息

[>>TE Connectivity\(泰科\)](#)