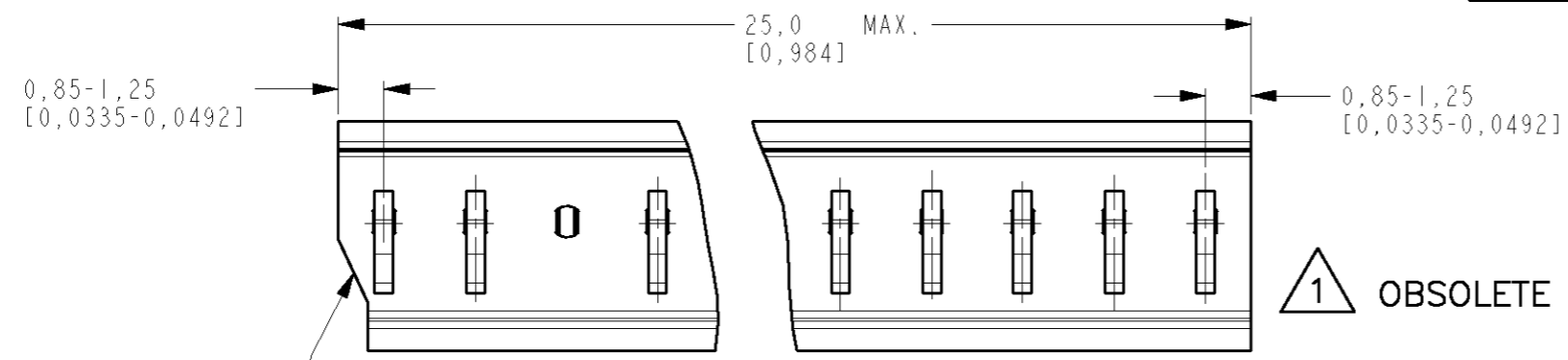
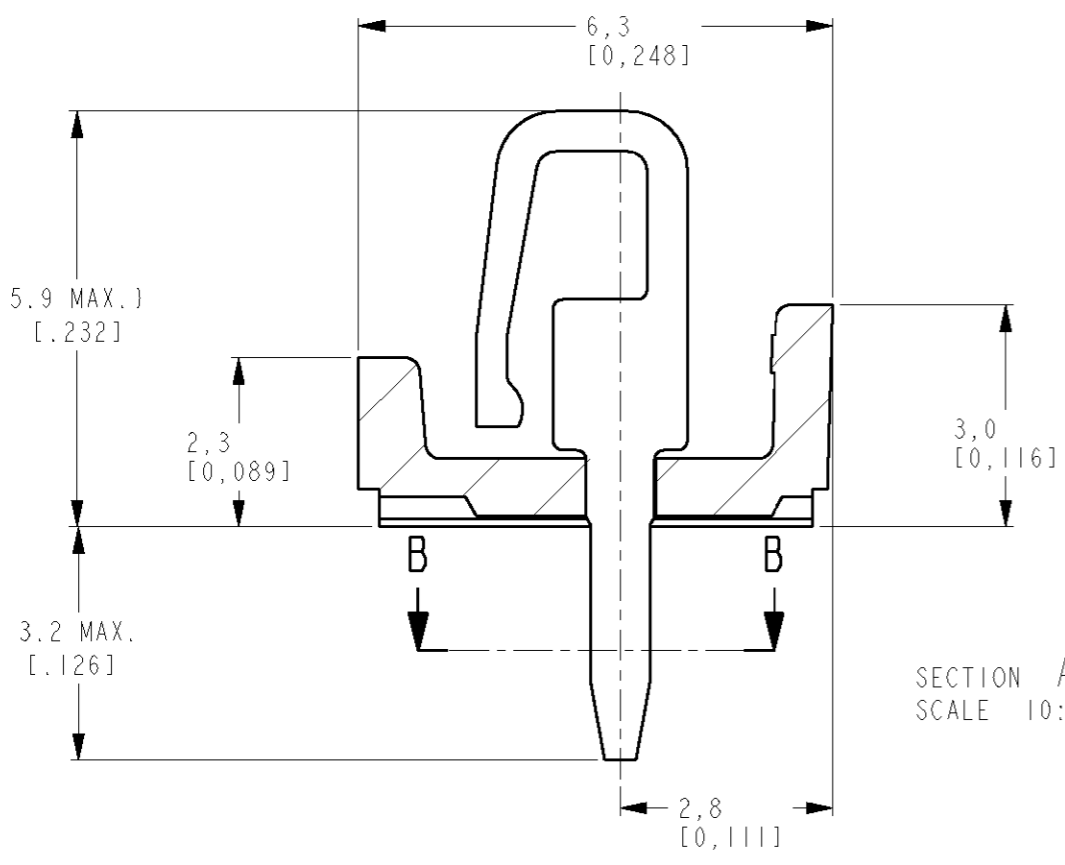
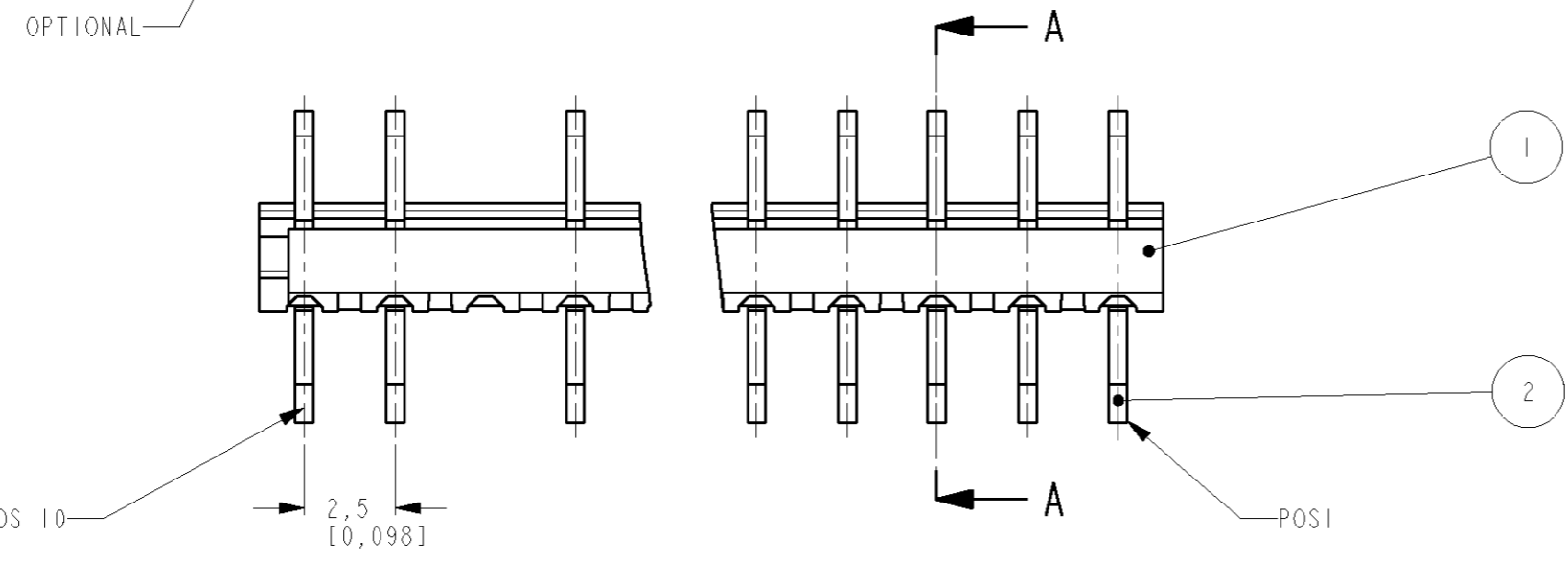


THIS DRAWING IS UNPUBLISHED. RELEASED FOR PUBLICATION
 © COPYRIGHT - BY TYCO ELECTRONICS CORPORATION. ALL RIGHTS RESERVED.

LOC	DIST	REVISIONS				
P	LTR	DESCRIPTION	DATE	DWN	APVD	
H	-	A	ECN EH10 0344 05	09 MAR 05	MG	MG
		A1	REVISED PER ECO-09-026495	28NOV09	KK	AEG



1 OBSOLETE PARTS: OBSOLETE CIS STREAMLINING PER D.RENAUD/D.SINISI



PARTNUMBER	POSITION: *= LOADED; 0 = UNLOADED									
	1	2	3	4	5	6	7	8	9	10
5161510-1	*	*	*	*	*	0	*	*	*	*
5161510-2	*	*	*	0	*	*	*	*	*	*

1 OBSOLETE

THIS DRAWING IS A CONTROLLED DOCUMENT FOR TYCO ELECTRONICS CORPORATION
 IT IS SUBJECT TO CHANGE AND THE CONTROLLING ENGINEERING ORGANIZATION
 SHOULD BE CONTACTED FOR THE LATEST REVISION.

DIMENSIONS:	TOLERANCES UNLESS OTHERWISE SPECIFIED:
mm (inch)	0 PLC ±
	1 PLC ±
	2 PLC ±
	3 PLC ±
	4 PLC ±
	ANGLES ±
MATERIAL	FINISH

2	CONTACT	BRASS	TIN OVER NICKEL
1	HOUSING	PBT 20% GF, COLOR GREEN	
ITEM NO.	DESCRIPTION	MATERIAL	FINISH
DWN	31 MAR 05	tyco TYCO ELECTRONICS NEDERLAND B.V.	
CHK	M. GOSSELINK	's-HERTOGENBOSCH, THE NETHERLANDS	
APVD	F. IJLJENS	NAME	
PRODUCT SPEC	108-19027	MINI-MATCH CONNECTOR ASS'Y	
APPLICATION SPEC		10 POS 2.5 MM PITCH, RANDOM LOADED	
WEIGHT		SIZE	RESTRICTED TO
		A3 00779	
CUSTOMER DRAWING		DRAWING NO	REV
		C=5161510	A1
		SCALE 5:1	SHEET 1 OF 1

单击下面可查看定价，库存，交付和生命周期等信息

[>>TE Connectivity\(泰科\)](#)