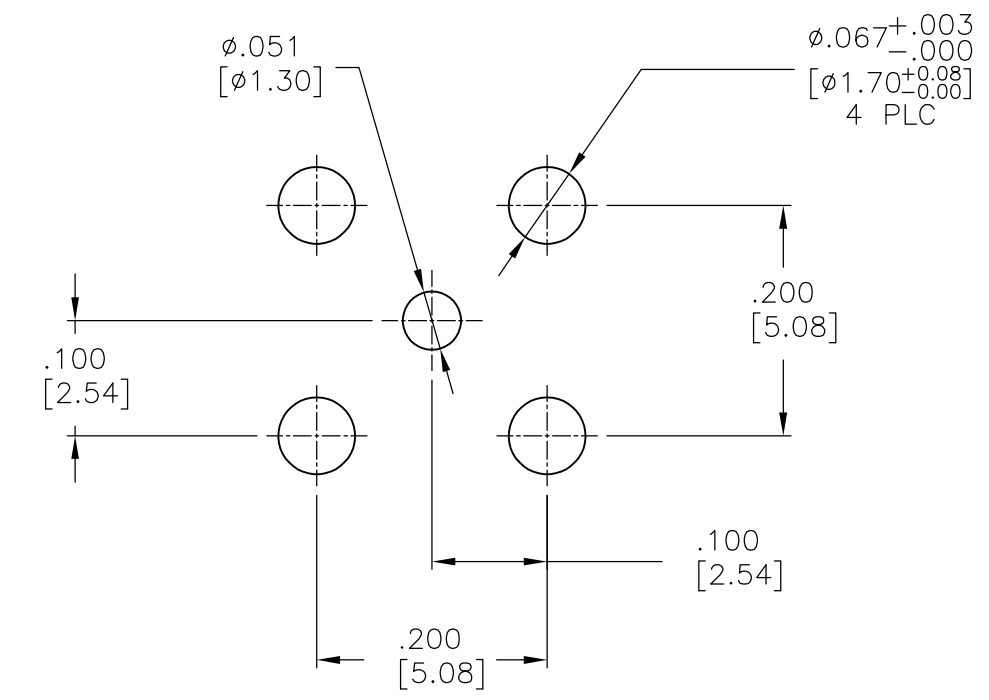
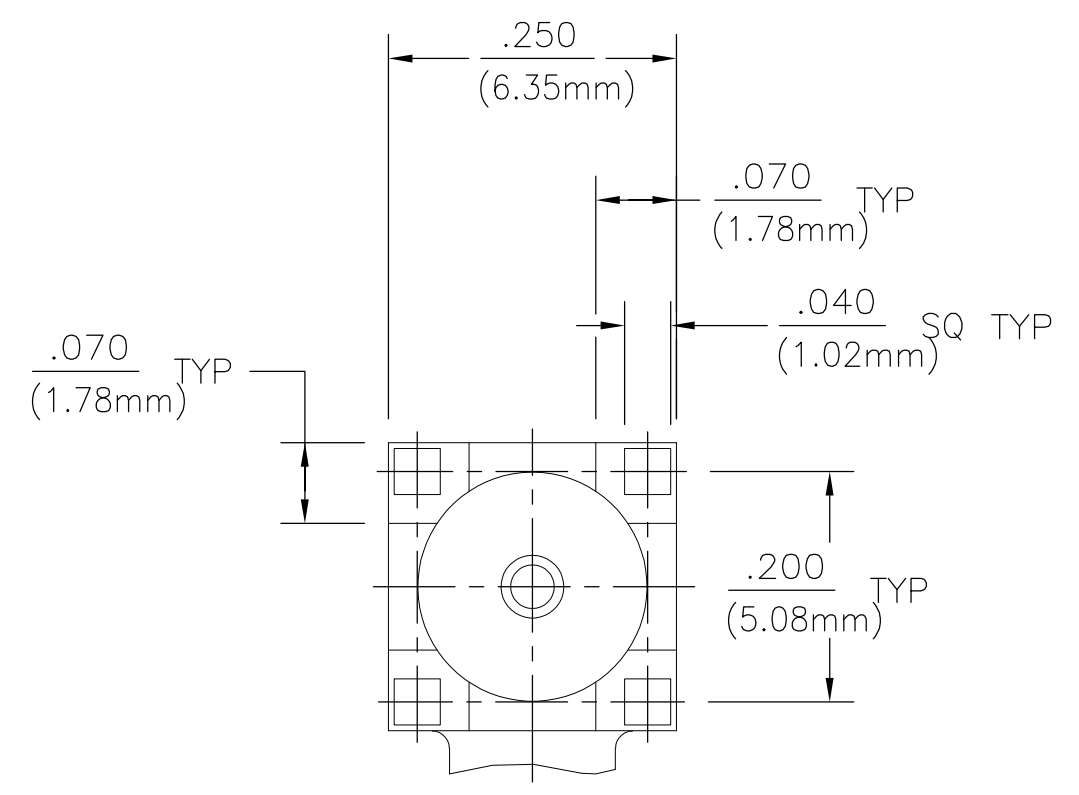
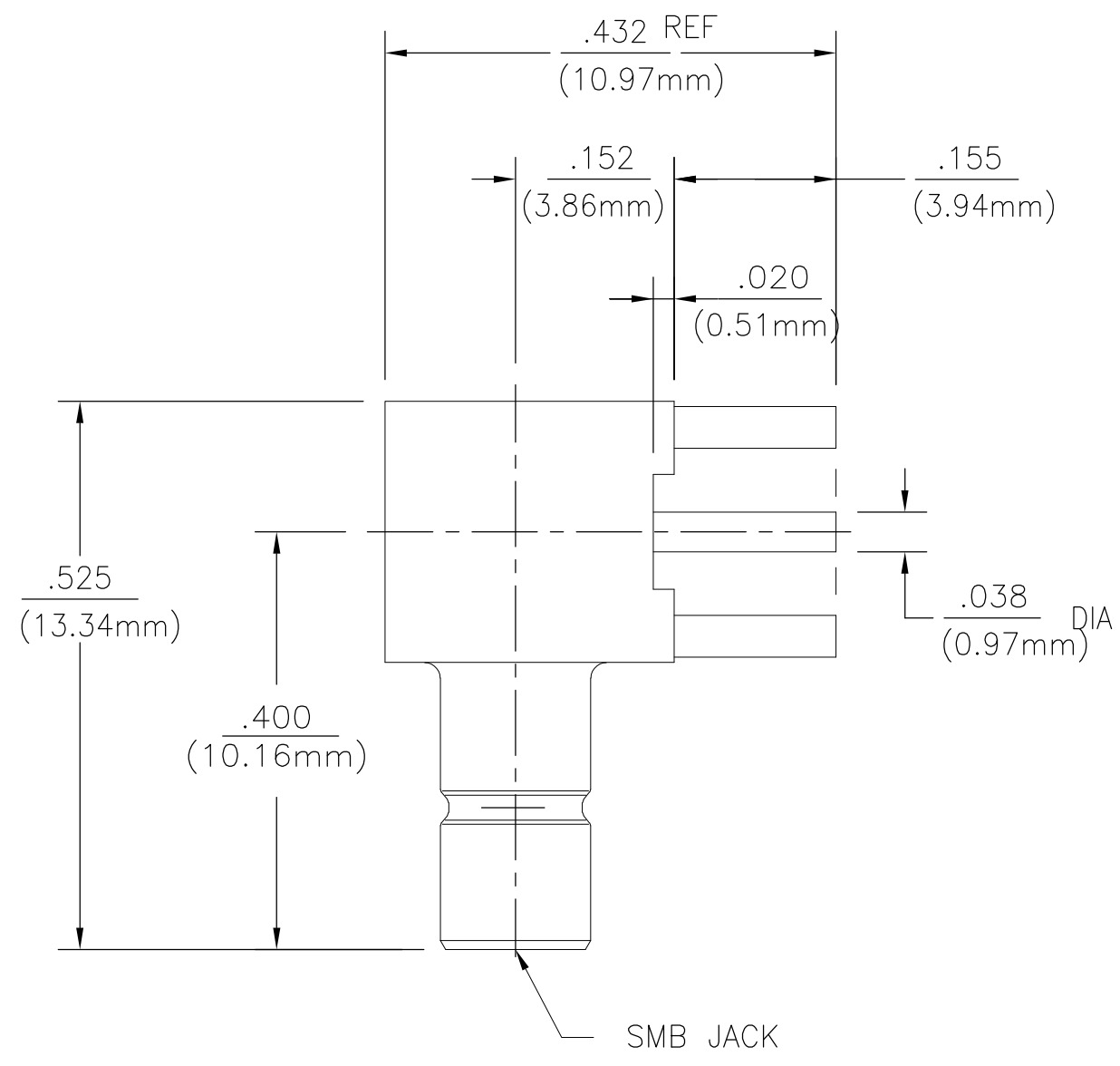


THIS DRAWING IS UNPUBLISHED. RELEASED FOR PUBLICATION
 © COPYRIGHT BY TYCO ELECTRONICS CORPORATION. ALL INTERNATIONAL RIGHTS RESERVED.

Loc		DIST		REVISIONS			
P	LTR	DESCRIPTION		DATE	DWN	APVD	
		D		REV PER ECO 08-031174	30DEC2008	DW	JL



RECOMMENDED PCB LAYOUT

HOUSING, CAP & CENTER CONTACT		BRASS PER ASTM-B-16, HALF HARD	1060464-1
DIELECTRIC		PTFE FLUOROCARBON PER ASTM-D-1457	PART NUMBER
		GOLD PLATE PER MIL-G-45204	
		N/A	
COMPONENT		MATERIAL	FINISH

THIS DRAWING IS A CONTROLLED DOCUMENT.		DWN J. HAVENER 25JUL2002	Tyco Electronics Corporation Harrisburg, PA 17105-3608	
DIMENSIONS: INCHES [mm]		CHK J. HAVENER 25JUL2002	NAME SMB RIGHT ANGLE PRINTED CIRCUIT BOARD JACK (5164-5003-09)	
TOLERANCES UNLESS OTHERWISE SPECIFIED:		APVD K. WEIDNER 25JUL2002	PRODUCT SPEC	
0 PLC ± -		APPLICATION SPEC		
1 PLC ± -		WEIGHT -		
2 PLC ± -		SIZE A2		
3 PLC ± .005 [0.13]		CAGE CODE 00779		
4 PLC ± -		DRAWING NO C=1060464-1		
ANGLES ± 1°		RESTRICTED TO -		
MATERIAL SEE TABLE		SCALE 6:1 SHEET 1 of 1 REV D		
FINISH SEE TABLE		CUSTOMER DRAWING		

1060464-1

单击下面可查看定价，库存，交付和生命周期等信息

[>>TE Connectivity\(泰科\)](#)