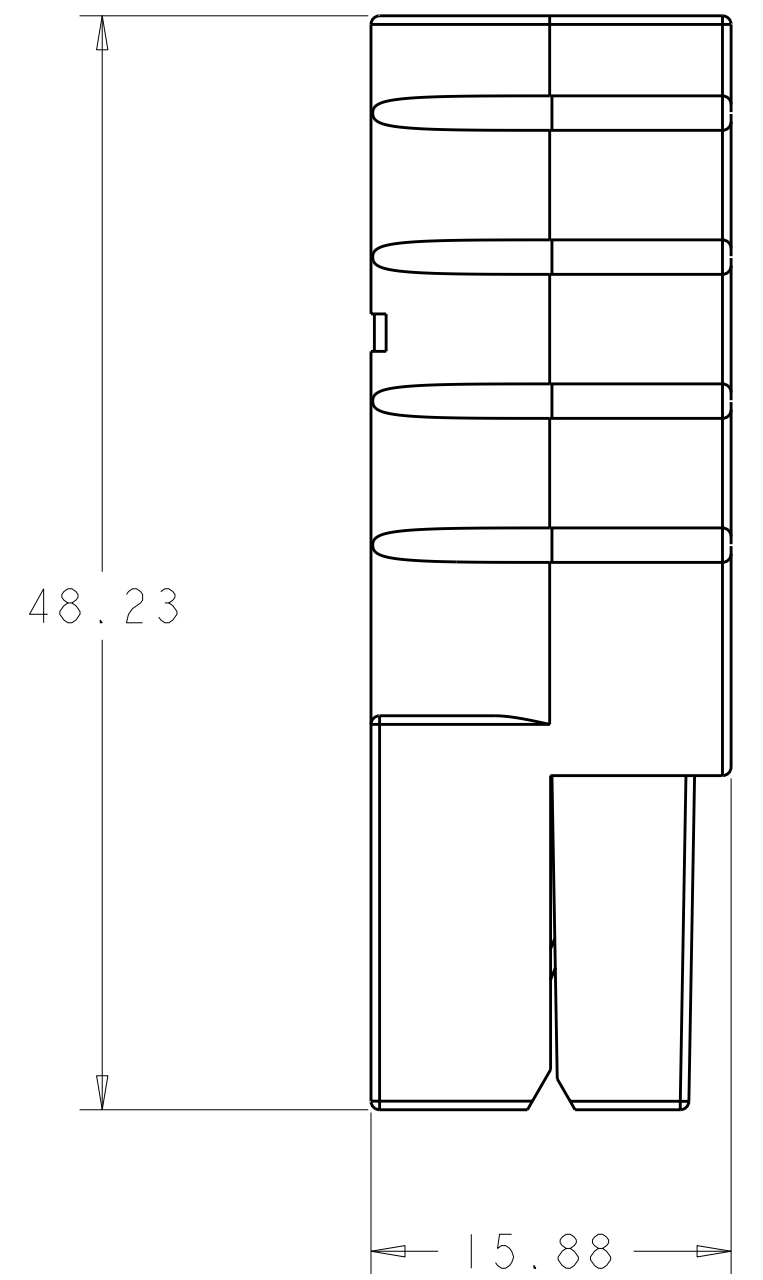
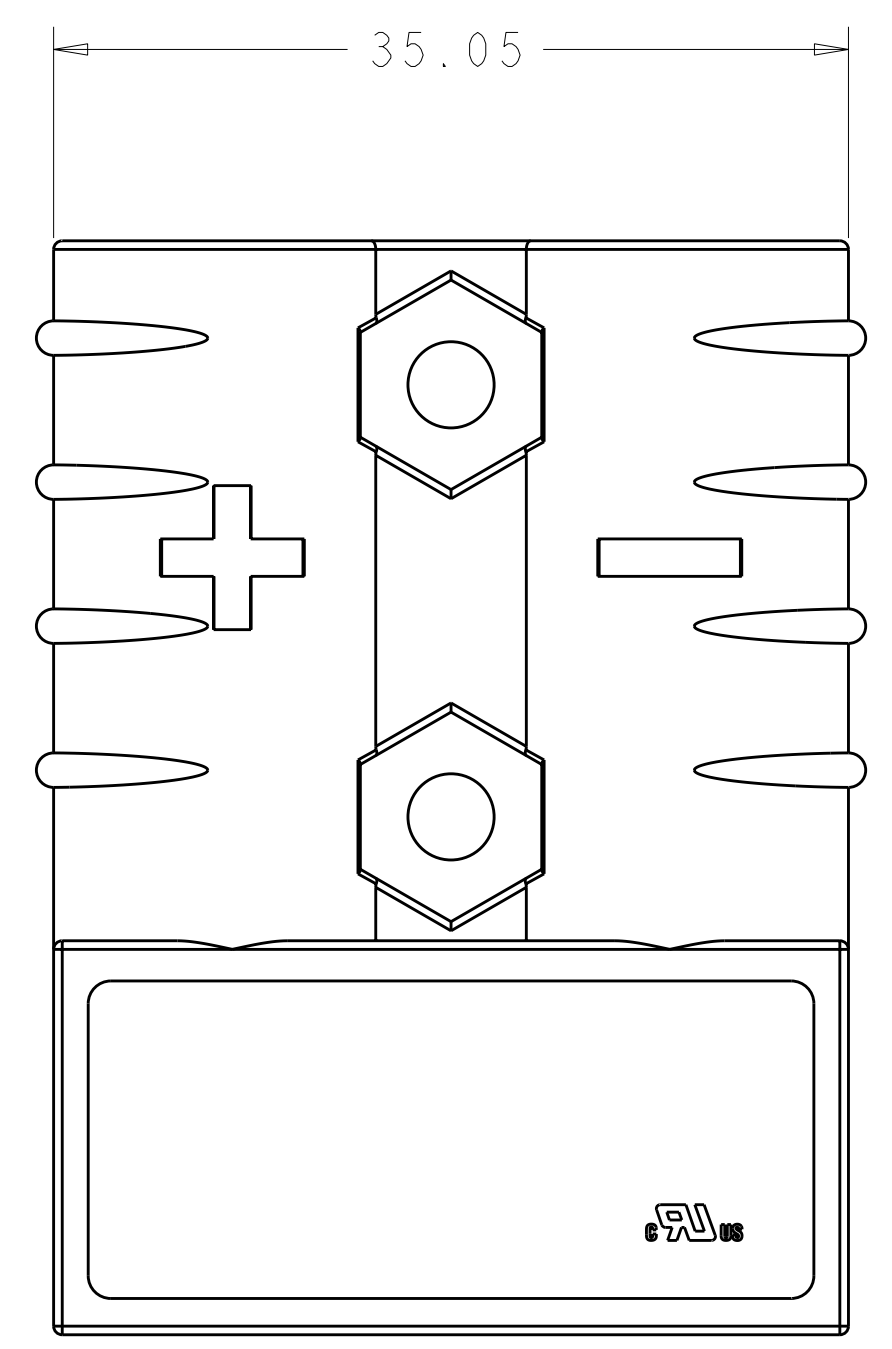
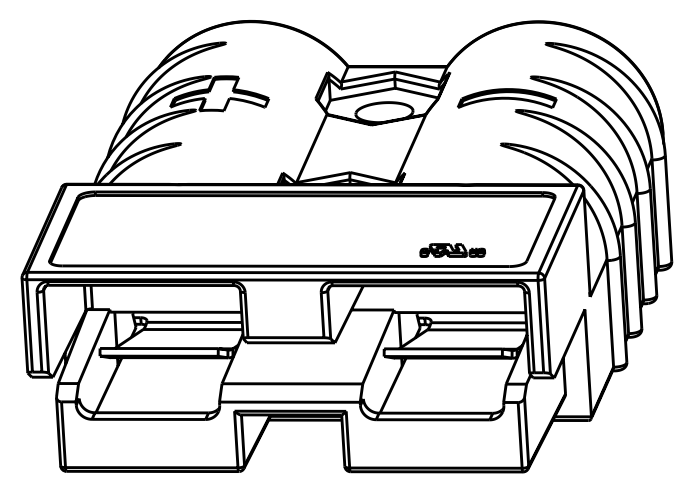


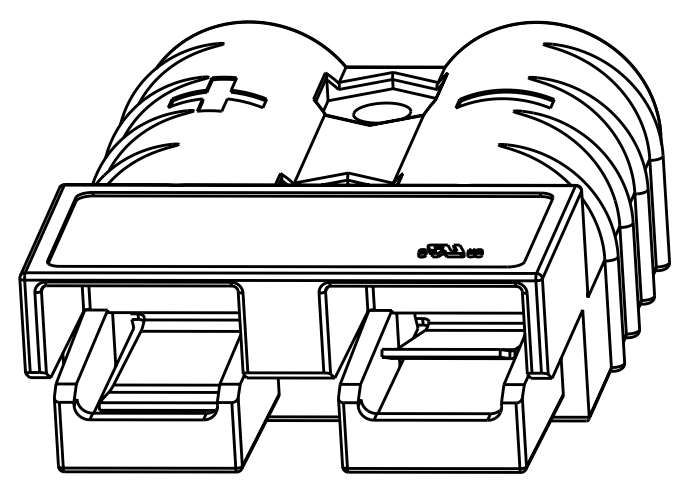
LOC	DIST	REVISIONS			
		REV	DATE	BY	APPD
CM	00	A3	11MAR2011	RK	HMR



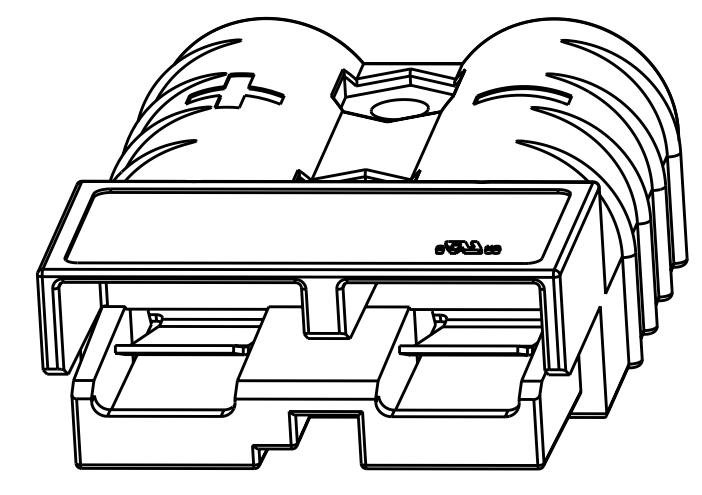
1. THIS PRODUCT HAS PASSED VERIFICATION AND AGENCY APPROVALS TESTING AND IS COMPONENT RECOGNIZED PER UL 1977 AND CSA 22.2. TE CONNECTIVITY PRODUCT QUALIFICATION TESTING IS NOT YET COMPLETED.



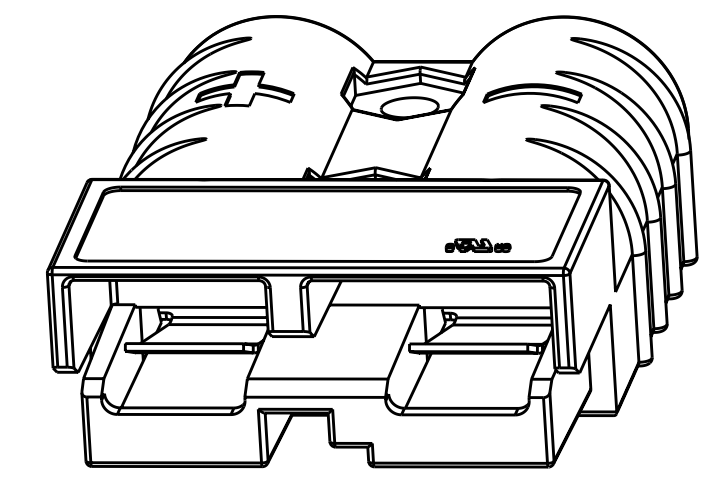
647845-3
SCALE 2:1



647845-4 AND 647845-7
SCALE 2:1



647845-5
SCALE 2:1



647845-8
SCALE 2:1

YELLOW	647845-8
BLACK	647845-7
BLUE	647845-5
GRAY	647845-4
RED	647845-3
COLOR	PART NUMBER

THIS DRAWING IS A CONTROLLED DOCUMENT.		DWN SHANE WUEST 18JUN2001	TE Connectivity CONNECTOR ASSEMBLY, AMP POWER SERIES 50
DIMENSIONS: mm		CHK K. KETELSLEGER 18JUN2001	
TOLERANCES UNLESS OTHERWISE SPECIFIED:		APVD K. KETELSLEGER 18JUN2001	NAME
0 PLC	±	PRODUCT SPEC	SIZE CAGE CODE DRAWING NO
1 PLC	±0.13	APPLICATION SPEC	A100779C-647845
2 PLC	±0.13	WEIGHT	RESTRICTED TO
3 PLC	±	CUSTOMER DRAWING	SCALE 2:1 SHEET 1 OF 1 REV A3
4 PLC	±		
ANGLES	±		
MATERIAL			
FINISH			



单击下面可查看定价，库存，交付和生命周期等信息

[>>TE Connectivity\(泰科\)](#)