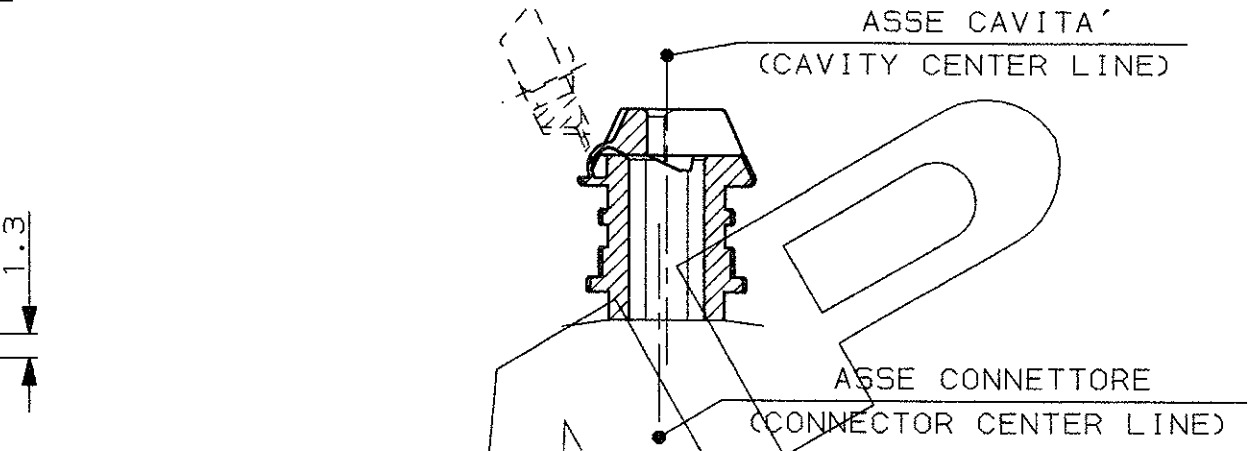
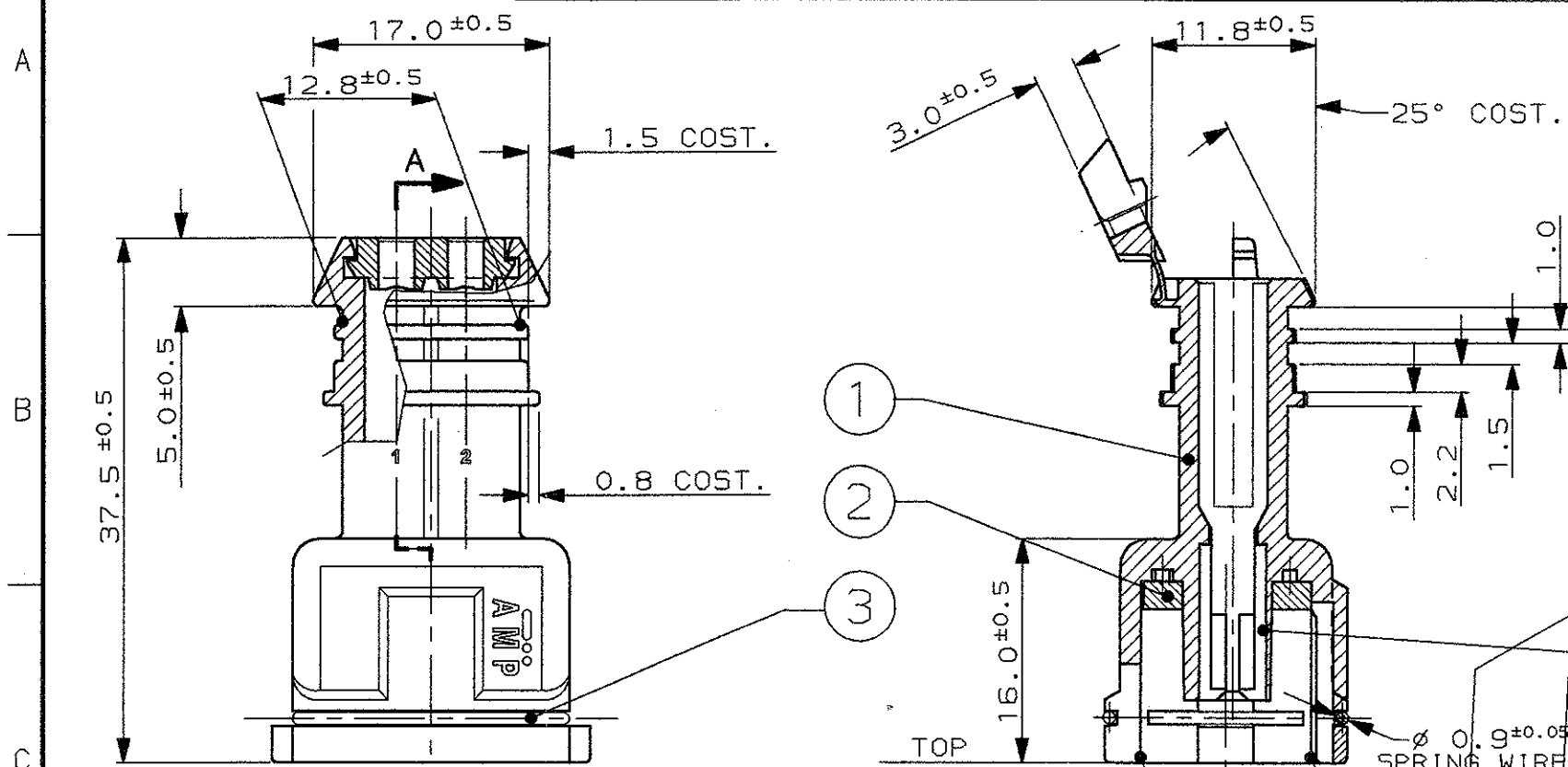
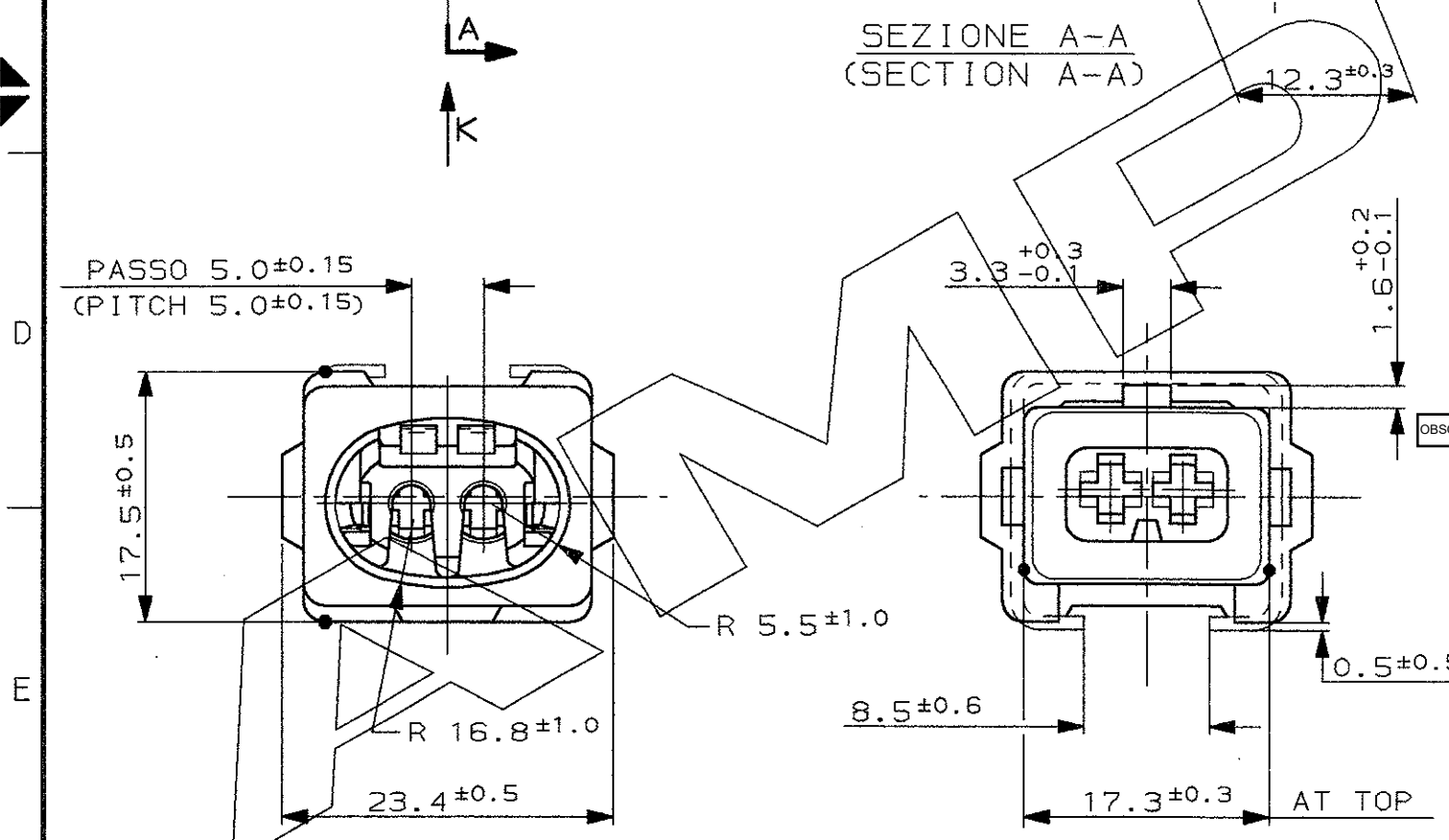


CONNETTORE TIPO B (CON MOLLA DI RITEGNO INTERNA)  
CONNECTOR TYPE B (WITH INTERNAL SPRING)



CAVITA' ADATTA PER TERMINALI JUNIOR POWER TIMER:  
 CONTATTO P/N 929939-1 0 -3 CON GOMMINO P/N 828904-1  
 CAVO ISOLANTE RIDOTTO  $\phi$ 1.5-2.1mm; SEZIONE 0.5-1.0mm<sup>2</sup>  
 CONTATTO P/N 929937-1 0 -3 CON GOMMINO P/N 828905-1  
 (O GOMMINO P/N 282536-1 SOLO PER CAVI SEZIONE 2.5mm<sup>2</sup>)  
 CAVO ISOLANTE RIDOTTO  $\phi$ 2.2-3.0mm; SEZIONE 1.5-2.5mm<sup>2</sup>  
 CAVITY SUITABLE FOR JUNIOR POWER TIMER CONTACT:  
 CNT. P/N 929939-1 OR -3 PLUS WIRE SEAL P/N 828904-1  
 REDUCED INS. CABLE  $\phi$ 1.5-2.1mm; WIRE RANGE 0.5-1.0mm<sup>2</sup>  
 CNT. P/N 929937-1 OR -3 PLUS WIRE SEAL P/N 828905-1  
 (OR WIRE SEAL P/N 282536-1 ONLY FOR WIRE SECT. 2.5 mm<sup>2</sup>)  
 REDUCED INS. CABLE  $\phi$ 2.2-3.0mm; WIRE RANGE 1.5-2.5mm<sup>2</sup>

- PER DIMENSIONI CONTROPARTE VEDERE FOGLIO 2 DI 2.  
(- FOR PIN HEADER DIMENSIONS SEE SHEET 2 OF 2).



ROSSO (RED)	282788-8				
GIALLO (YELLOW)	282788-7				
MARRONE (BROWN)	282788-6				
BLU (BLUE)	282788-5	3	///////	ACCIAIO INOX (STAINLESS STEEL)	
VERDE (GREEN)	282788-4			MOLLA (SPRING)	
NATURALE (NATUR)	282788-3	2	NATURALE (NATURAL)	GOMMA (RUBBER)	
GRIGIO (GREY)	282788-2			GUARNIZIONE (RUBBER GASKET)	
NERO (BLACK)	282788-1	1	///////	PA 6.6	
				BLOCCHETTO (HOUSING)	
COLORE (COLOR)	NUMERO (PART N°.)	N° (ITEM)	FINITURA / COLORE (FINISH / COLOUR)	MATERIALE (MATERIAL)	DESCRIZIONE (DESCRIPTION)

CUSTOMER DWG. FOR REFERENCE ONLY  
DISEGNO PER CLIENTE SOLO PER RIFERIMENTO

THIS DRAWING IS UNPUBLISHED		RELEASE FOR PUBLICATION		19
© COPYRIGHT 19 BY AMP INCORPORATED, HARRISBURG, PA. ALL INTERNATIONAL RIGHTS RESERVED. AMP PRODUCTS MAY BE COVERED BY U.S. AND FOREIGN PATENT AND/OR PATENT PENDING				
TOLLERANZE, SE NON DIVERSAMENTE SPECIFICATO		DIAM. ISOLANTE (INS. DIA. RANGE)		RANGO FILO (WIRE RANGE)
(TOLERANCES, UNLESS OTHERWISE SPECIFIED)		1.5-3.0 (REDUCED INS. CABLE)		0.5-2.5 mm <sup>2</sup> ***
C1	REVISED PER ECO-20-003218	AP/VN	08MAY 2020	
C	ECR-14-003472	MP	24MAR 2014	± 0.3
B	IN PRODUZIONE (RELEASED FOR PRODUCTION) EC ET00-0325-96	A.F.	26 JUL '96	ANGOLI (ANGLES) ± 2°
A1	REVISED PER EC ET00-0096	A.F.	25 FEB '96	DIS. 22 DEC 95 (DR.) R. MARTINI RLL
A	FIRST ISSUE PER EC ET00-0004-96 (PROP. NO. WAS 95-51276)	R.M.	03-01 '96	CONT. 22 DEC 95 (CHK) C. TARTARI
REV. (REV. LTR.)	REVISIONI (REVISION RECORD)	DIS. (DR)	DATA (DATE)	APP. (APP.)
LOC.	SIZE	NUMERO (DWG NO)	REV.	FOGLIO (SHEET)
I	A3	C-282788	C1	1 DI 2 (OF)



DISTRIBUZIONE (PRINT DIST.)



单击下面可查看定价，库存，交付和生命周期等信息

[>>TE Connectivity\(泰科\)](#)