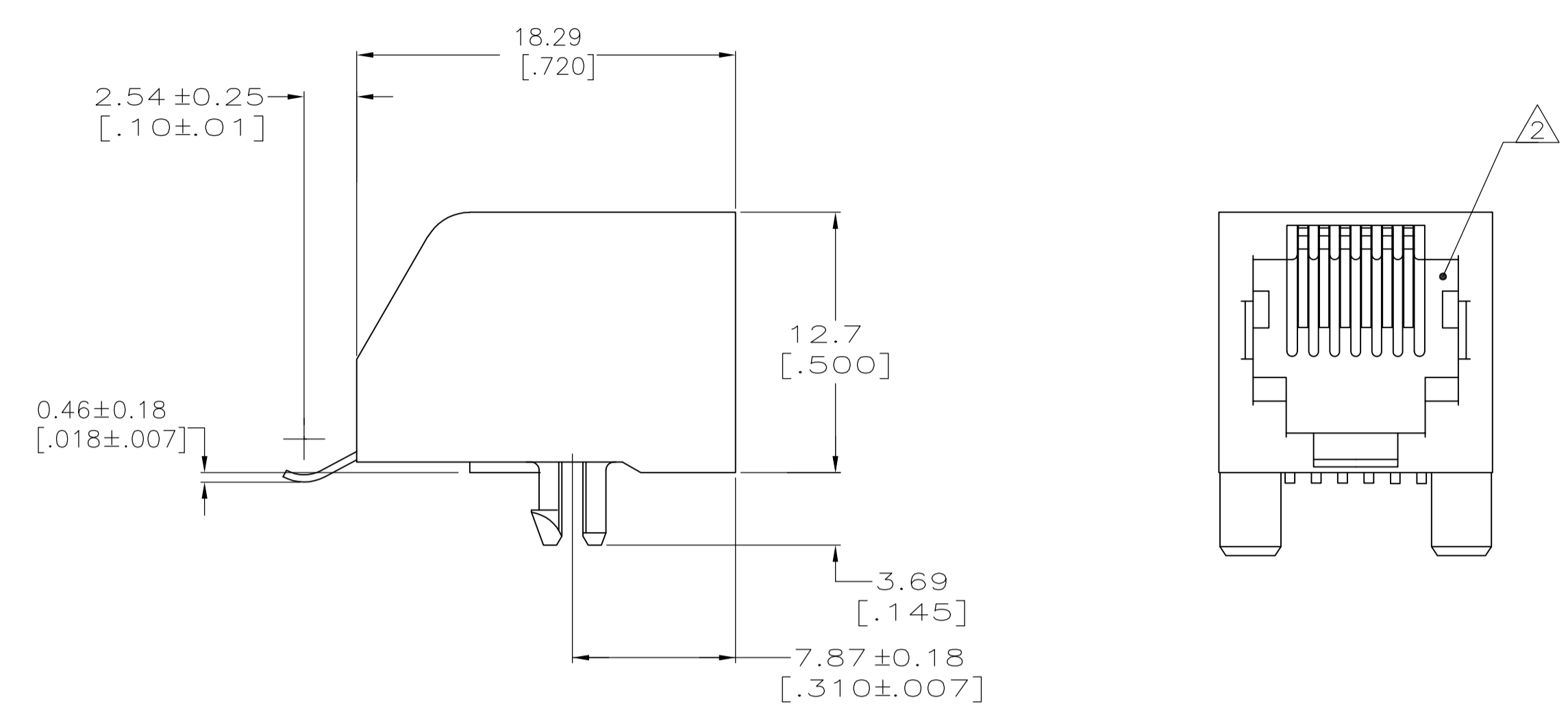
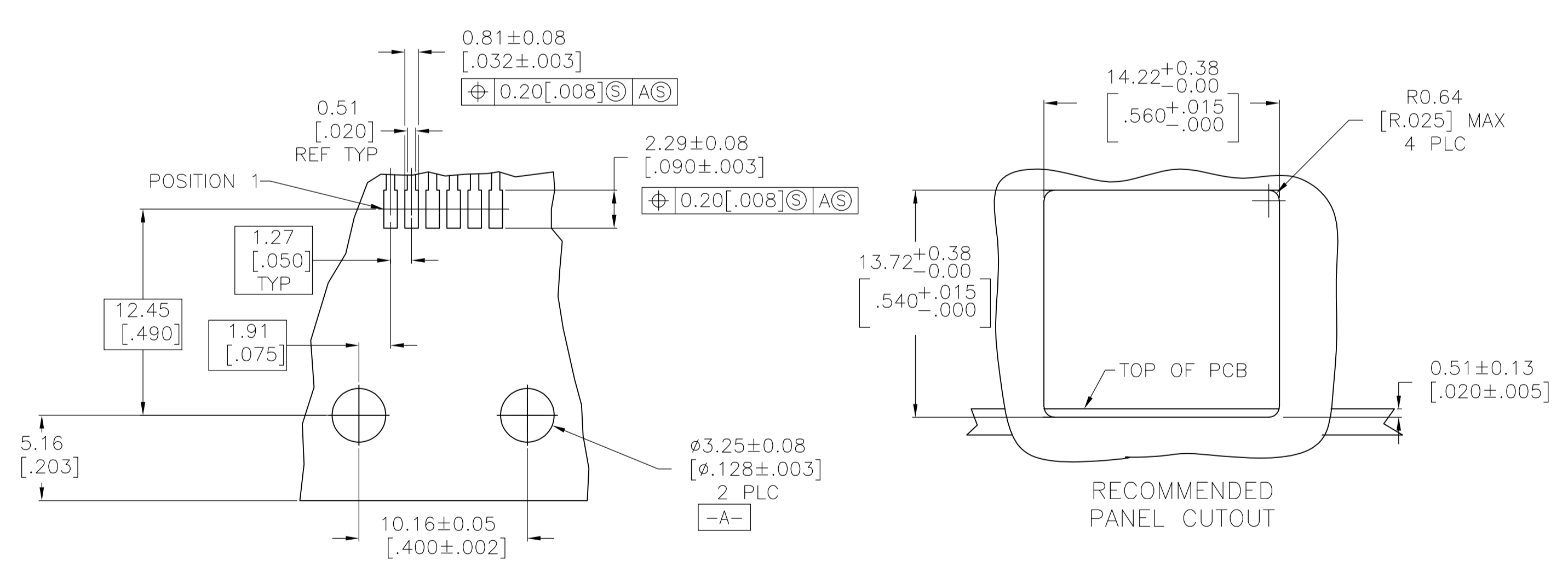
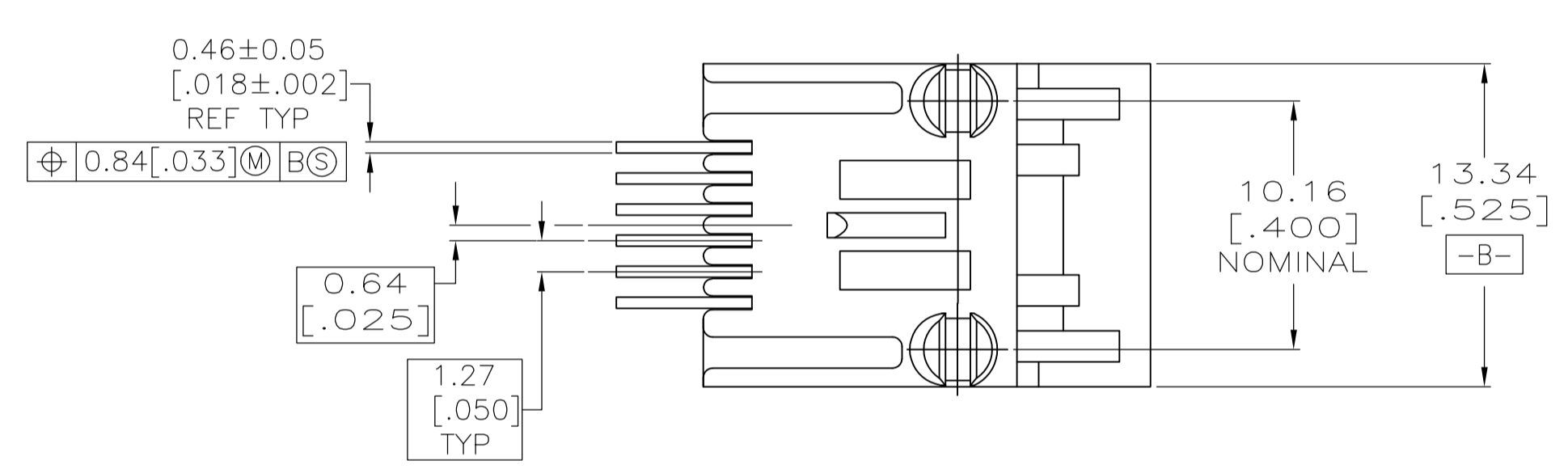


LOC		DIST		REVISIONS			
P	LTR	DESCRIPTION	DATE	DN	APVD		
B1	REVISED PER	ECO-11-005033	23MAR11	RK	HMR		



- MATERIAL: HOUSING- HTN MOLDING COMPOUND, 94VO, COLOR: BLACK.
TERMINAL- 0.36 [.014] THICK PHOS BRONZE PLATED WITH 1.27µm [.000050] MIN THICK HARD GOLD IN LOCALIZED GOLD PLATE AREA AND 3.81µm [.000150] THICK MATTE TIN IN SOLDER AREA OVER 1.27µm [.000050] MIN THICK NICKEL UNDERPLATE.
- CAVITY CONFORMS TO FCC RULES AND REGULATIONS PART 68, SUBPART F.
- SNAP-IN RETENTION FEATURE ACCOMMODATES A 1.57±0.13 [.062±.005] PRINTED CIRCUIT BOARD.
- DIMENSIONS ARE MAXIMUM UNLESS OTHERWISE SPECIFIED AND ARE PRIOR TO SURFACE MOUNT PROCESSING.
- TERMINALS SHALL BE ASSEMBLED IN CENTER POSITIONS FOR -2.
- 2 PACKAGED 42 ASSEMBLIES PER TUBE.



RECOMMENDED PRINTED CIRCUIT BOARD COMPONENT SIDE

RECOMMENDED PANEL CUTOUT

4	5557314-2
6	5557314-1 (SHOWN)
TERMINALS REQUIRED	PART NO

THIS DRAWING IS A CONTROLLED DOCUMENT.		BIN L.A.MAYER 27AJG2007		STE TE Connectivity	
DIMENSIONS: mm [INCHES]		CHK P.RECCCE 27AJG2007		NAME S.FLICKINGER	
TOLERANCES UNLESS OTHERWISE SPECIFIED:		APVD S.FLICKINGER 27AJG2007		PRODUCT SPEC 108-1163	
0 PLC ± -		APPLICATION SPEC 114-8040		SIZE A1	
1 PLC ± -		WEIGHT -		CAGE CODE 00779	
2 PLC ± -		CUSTOMER DRAWING		DRAWING NO 5557314	
3 PLC ± -		SCALE 4:1		SHEET 1 OF 1	
4 PLC ± -		REV B1			
ANGLES ± -					
MATERIAL SEE NOTE 1		FINISH SEE NOTE 1			

单击下面可查看定价，库存，交付和生命周期等信息

[>>TE Connectivity\(泰科\)](#)