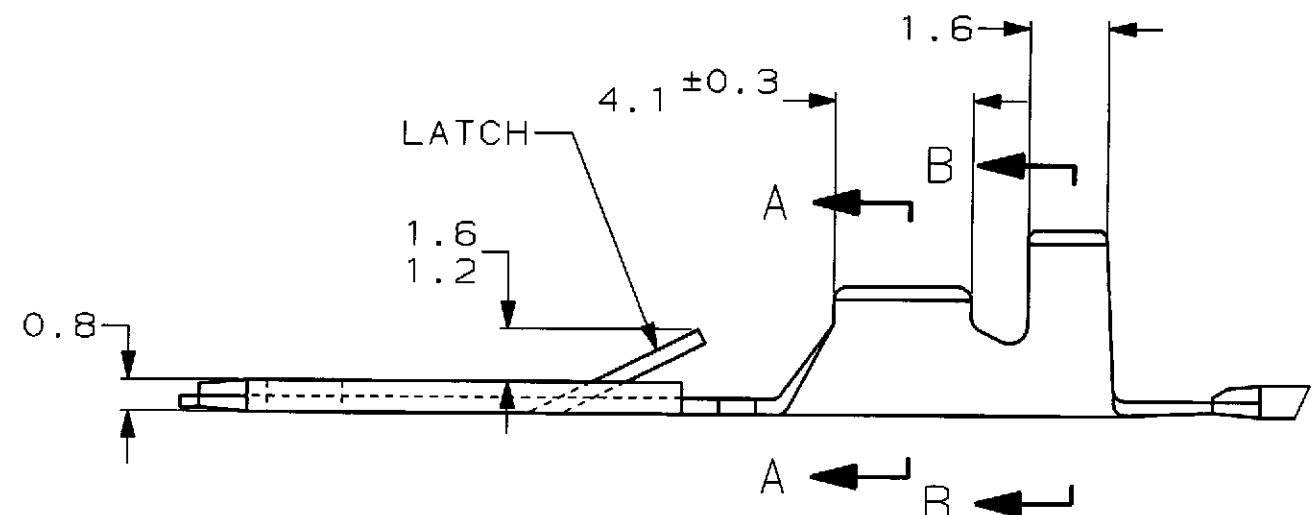
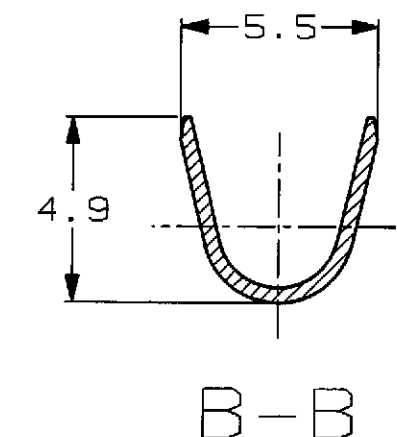
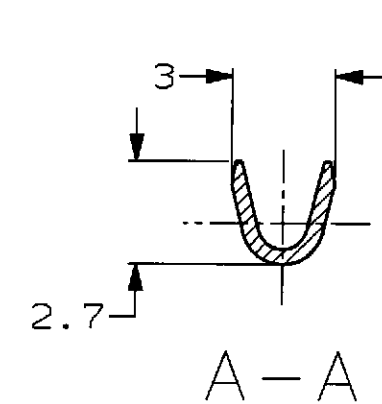
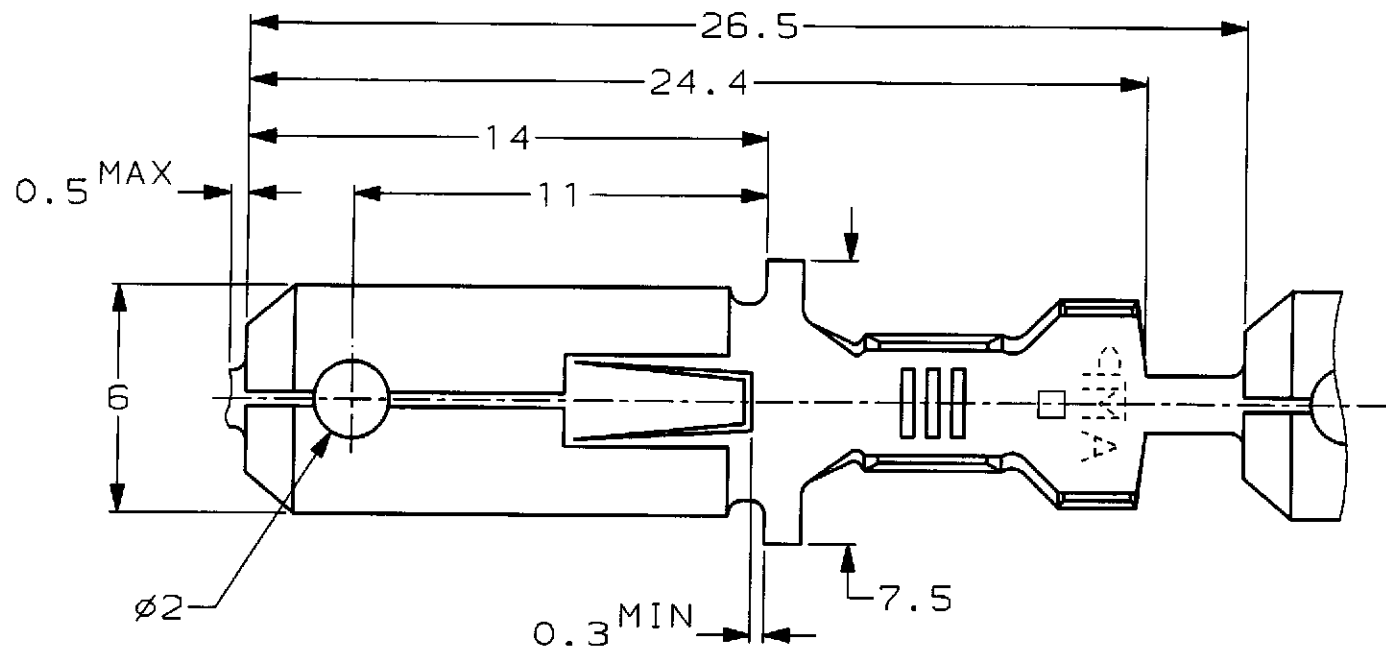


| P | LTR | DESCRIPTION | ECN | DATE | DWN | APVD |
|---|-----|--------------------|---------------|---------|-----|------|
| | A | REDRAWN W/O CHANGE | FJ00-1744-98 | 16SEP98 | TS | KB |
| | A1 | REVISED | ECO-10-000445 | 08JAN10 | KK | AEG |
| | A2 | REVISED | ECO-17-012711 | 30AUG17 | RS | TD |



1 OBSOLETE PARTS: OBSOLETE CIS STREAMLINING PER D.RENAUD/D.SINISI

| | | | |
|------------|-----------------------------|-------------------------------|-------------------|
| 1 OBSOLETE | 170303 | PRE-TIN BRASS t0.4 錫めっき済黄銅 | 170302-3 |
| 1 OBSOLETE | 170303 | PRE-TIN BRASS t0.4 錫めっき済黄銅 | 170302-2 |
| 1 OBSOLETE | 170303 | BRASS t0.4 黄銅 | 170302-1 |
| | MATING RECEPTACLE 嵌合相手型番 | FINISH 仕上げ | MATERIAL 材料 |
| | | | PART NUMBER 型番 |

WIRE RANGE 0.3-0.89mm² (AWG#22-#18) INSULATION DIA 1.5-2.6

| | | | |
|---|--|---|--|
| THIS DRAWING IS A CONTROLLED DOCUMENT FOR AMP INCORPORATED. IT IS SUBJECT TO CHANGE AND THE CONTROLLING ENGINEERING ORGANIZATION SHOULD BE CONTACTED FOR THE LATEST REVISION. | | DWN T. SHINOHARA 16SEP98 CHK 16SEP98 APVD K. BETSUI | STE TE Connectivity |
| DIMENSIONS: 単位・規 mm | TOLERANCES UNLESS OTHERWISE SPECIFIED 一般公差 10% ±0.2 30% ±0.25 100% ±0.3 ANGLE: ±0.3° | PRODUCT SPEC 108-5001 APPLICATION SPEC WEIGHT 0.75g | NAME 250 SERIES TAB WITH LATCH 250 シリーズ ラッチ付 タブ SIZE A3 CAGE CODE 00779 DRAWING NO 170302 RESTRICTED TO |
| MATERIAL SEE TABLE 表参照 | FINISH SEE TABLE 表参照 | CUSTOMER DRAWING | SCALE 5:1 SHEET 1 OF 1 REV A2 |

单击下面可查看定价，库存，交付和生命周期等信息

[>>TE Connectivity\(泰科\)](#)