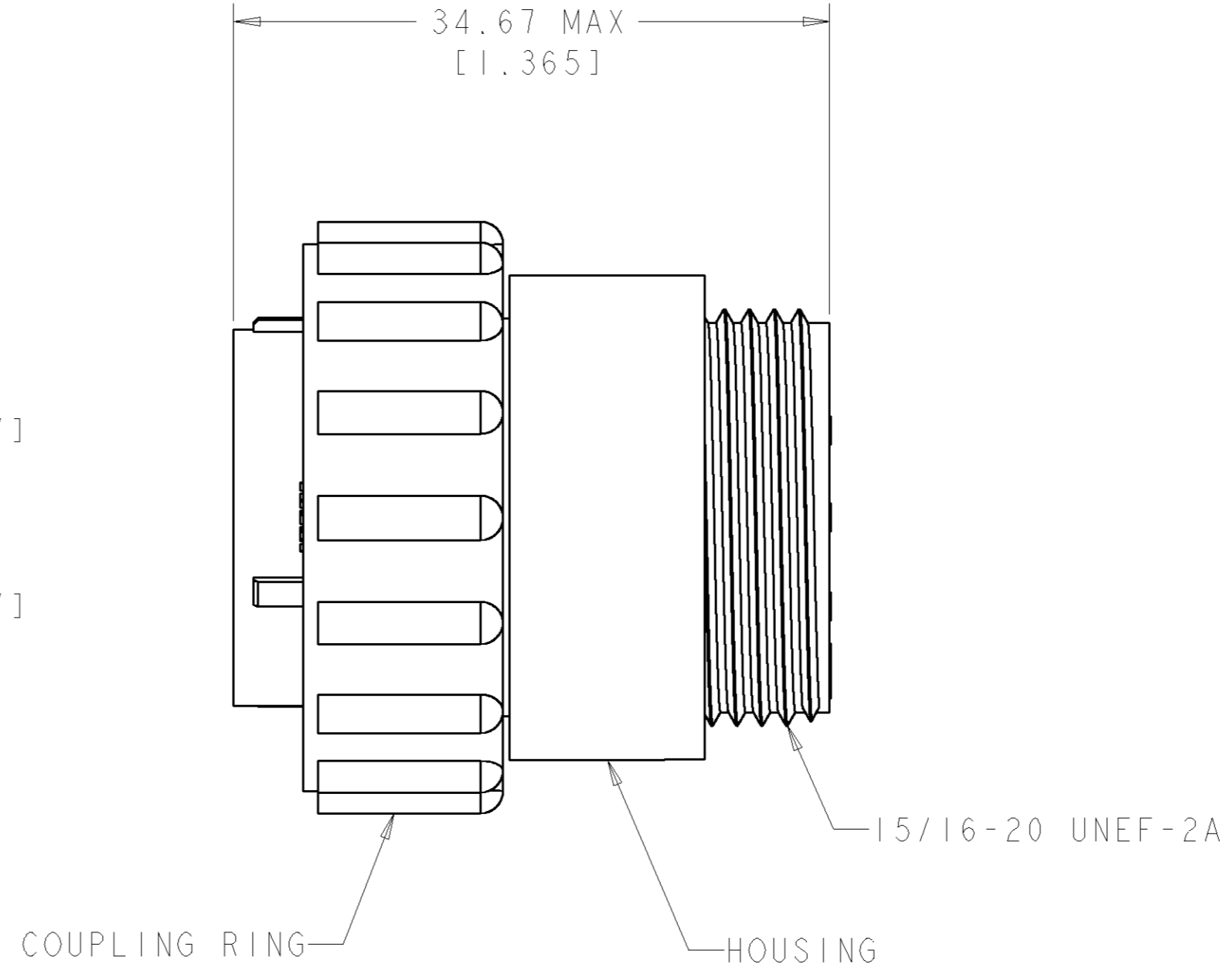
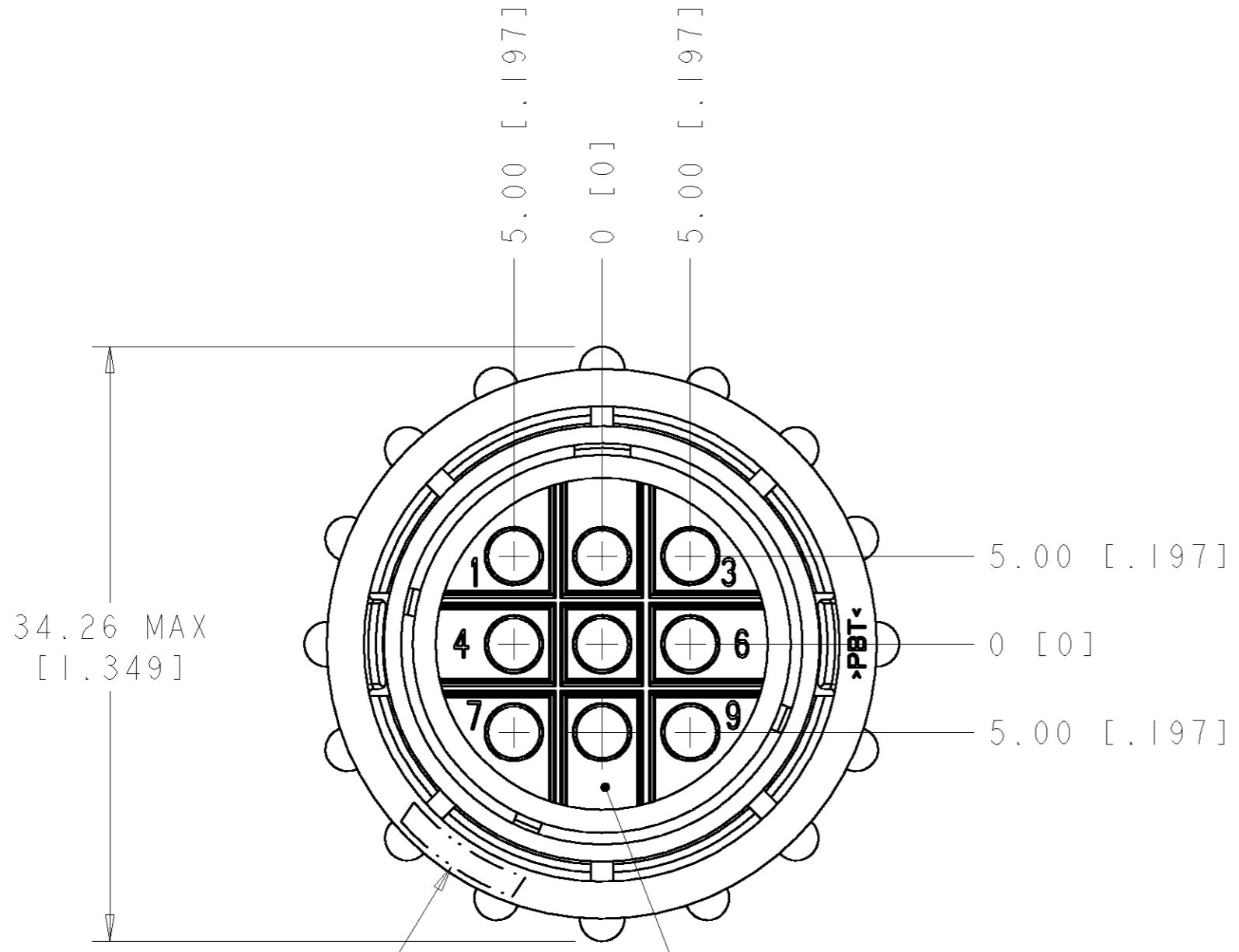


THIS DRAWING IS UNPUBLISHED. RELEASED FOR PUBLICATION
 © COPYRIGHT 19 BY TYCO ELECTRONICS CORPORATION. ALL RIGHTS RESERVED.

LOC		DIST		REVISIONS			
P	LTR	DESCRIPTION	DATE	DWN	APVD		
	O	RELEASED	06APR100	SW	-		
	A	REVISED EC 0G3B-0280-00	01JUN2000	SW	MC		
	B	REVISED EC 0G3B-0775-04	15SEP2004	SW	SH		

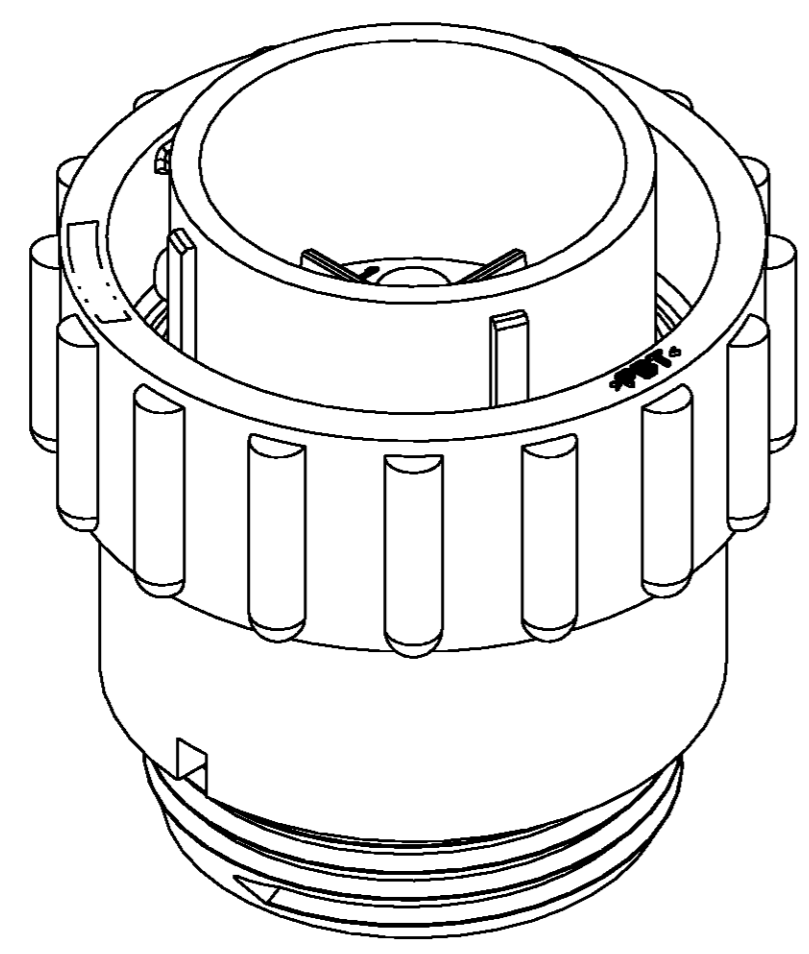


DATE CODE LOCATED IN APPROX AREA SHOWN

MATING FACE

COUPLING RING

HOUSING



- 1. HOUSING: NYLON, BLACK
- COUPLING RING: POLYESTER, BLACK.
- 2. WILL ACCEPT (9) MULTIMATE PIN CONTACTS.

796450-1
PART NUMBER

THIS DRAWING IS A CONTROLLED DOCUMENT FOR TYCO ELECTRONICS CORPORATION. IT IS SUBJECT TO CHANGE AND THE CONTROLLING ENGINEERING ORGANIZATION SHOULD BE CONTACTED FOR THE LATEST REVISION.		DWN	S. WELDON	06APR100	AMP Incorporated Harrisburg, PA 17105-3608
DIMENSIONS: mm [INCHES]		CHK	M. CHACKO	06APR100	
TOLERANCES UNLESS OTHERWISE SPECIFIED:		APVD	M. CHACKO	06APR100	
0 PLC ± 1 PLC ± 2 PLC ±0.02 3 PLC ± 4 PLC ± ANGLES ± FINISH -		PRODUCT SPEC	-	NAME	
MATERIAL	-	APPLICATION SPEC	-	SIZE	A2
MATERIAL		WEIGHT	-	CAGE CODE	00779
MATERIAL		CUSTOMER DRAWING	-	DRAWING NO	796450
MATERIAL		SCALE	3:1	SHEET	1 OF 1
MATERIAL		RESTRICTED TO	-	REV	B

单击下面可查看定价，库存，交付和生命周期等信息

[>>TE Connectivity\(泰科\)](#)