

4

3

2

1

D

D

C

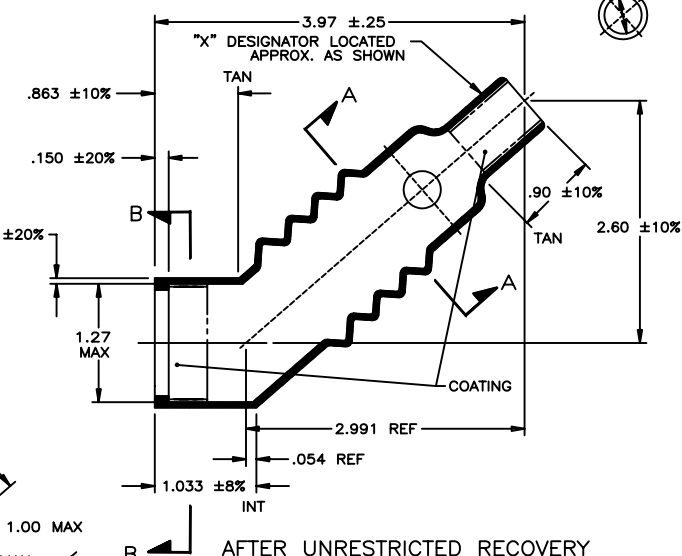
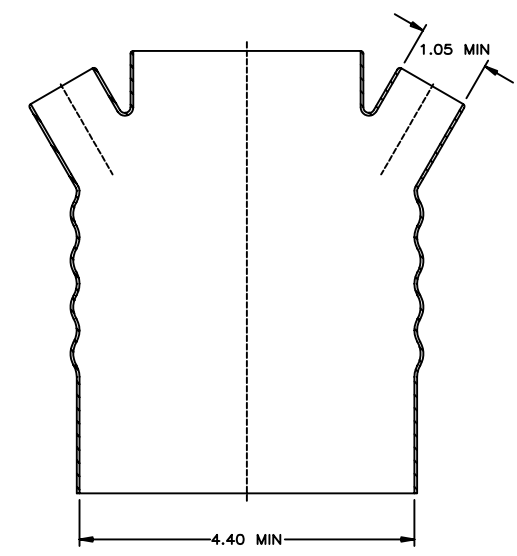
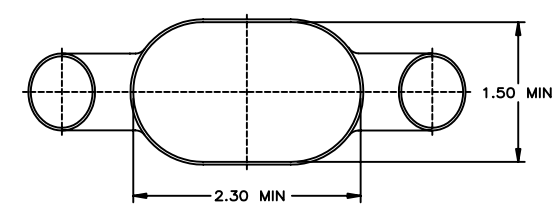
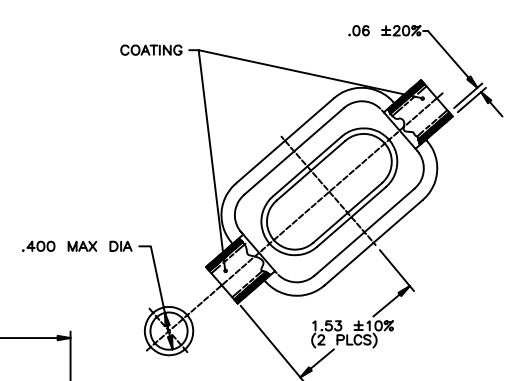
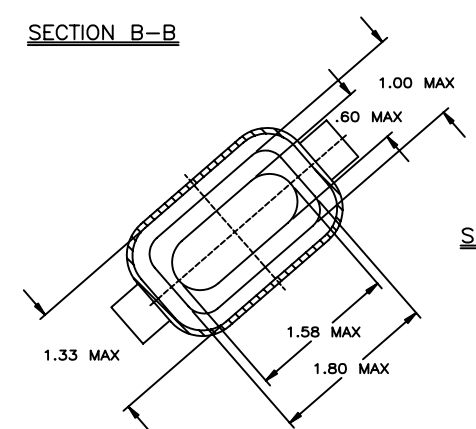
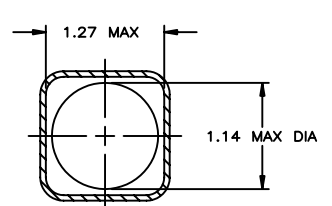
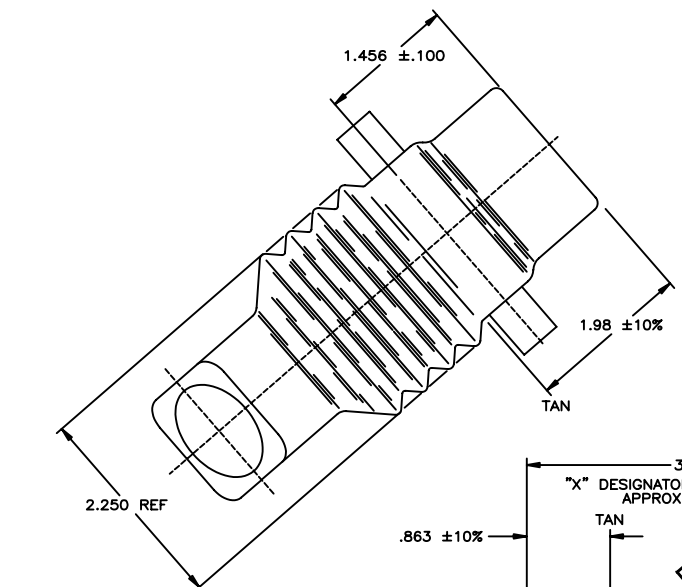
C

B

B

A

A



AFTER UNRESTRICTED RECOVERY

AS SUPPLIED

SECTION A-A

SPECIFICATION CONTROL DRAWING
(LIMITED DISTRIBUTION)

NOTES:

- 1. MATERIAL: -4, POLYOLEFIN, FLEXIBLE (RT-1304)
- 2. COATING: S-1017 (/42)

If this document is printed it becomes uncontrolled.
Check for the latest revision.

B		REVISED PER DCR MP99039	2/10/99		
REV. LETTER	ZONE	DETAILS OF REVISION	DATE		

THIS DRAWING AND THE INFORMATION SET FORTH HEREON ARE THE PROPERTY OF RAYCHEM CORPORATION AND ARE TO BE HELD IN TRUST AND CONFIDENCE. PUBLICATION, DUPLICATION, DISCLOSURE OR USE FOR ANY PURPOSE NOT EXPRESSLY AUTHORIZED IN WRITING BY RAYCHEM CORPORATION IS PROHIBITED.

DO NOT SCALE THIS DRAWING		Raychem CORPORATION 300 CONSTITUTION, MENLO PARK	
TITLE:			
BOOT, FLEXIBLE, FORWARD		DRWG. NO.	REV. LETTER
		451A100	B

单击下面可查看定价，库存，交付和生命周期等信息

[>>TE Connectivity\(泰科\)](#)