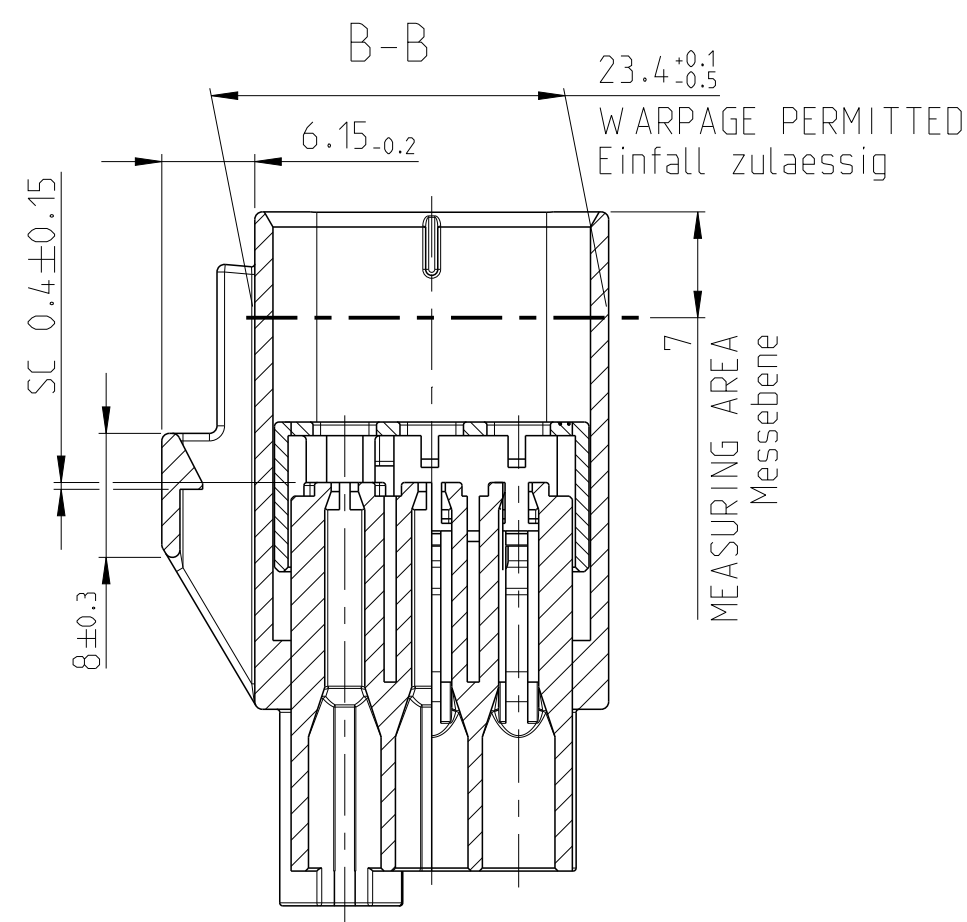
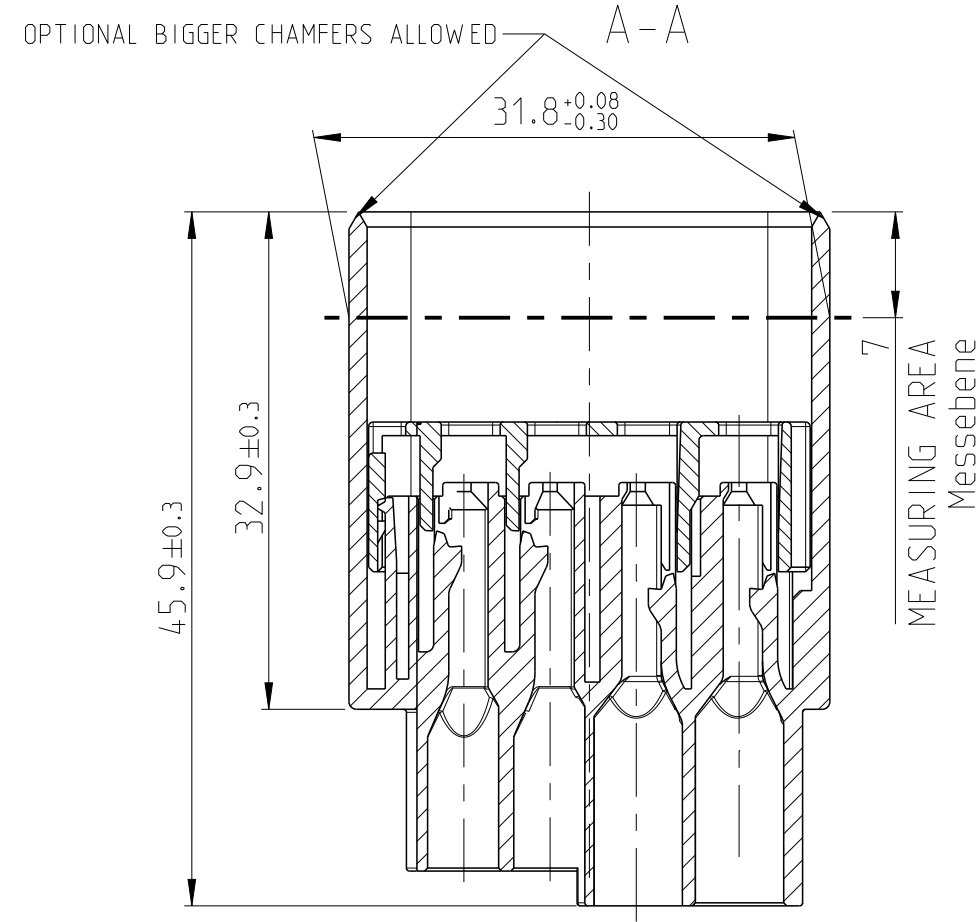
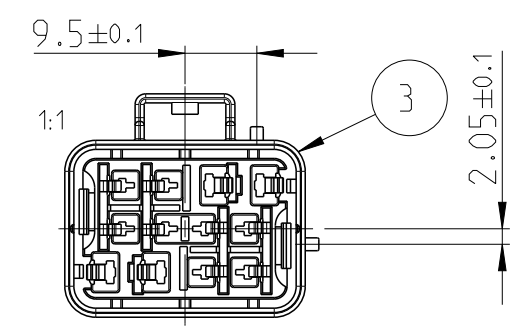


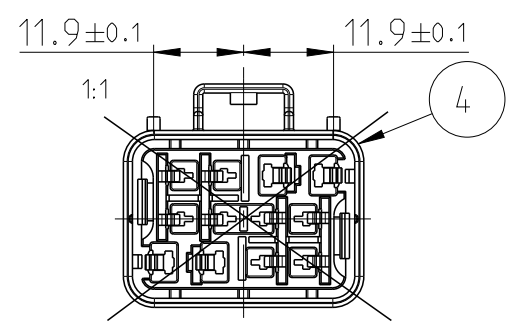
REVISIONS					
P	LTR	DESCRIPTION	DATE	DWN	APVD
G2		SEE PCN E-14-018294	08DEC2014	MK	KR
G3		ECR-15-002126	09FEB2015	GP	KR
G4		ECR-20-012259	31AUG2020	VKS	PT



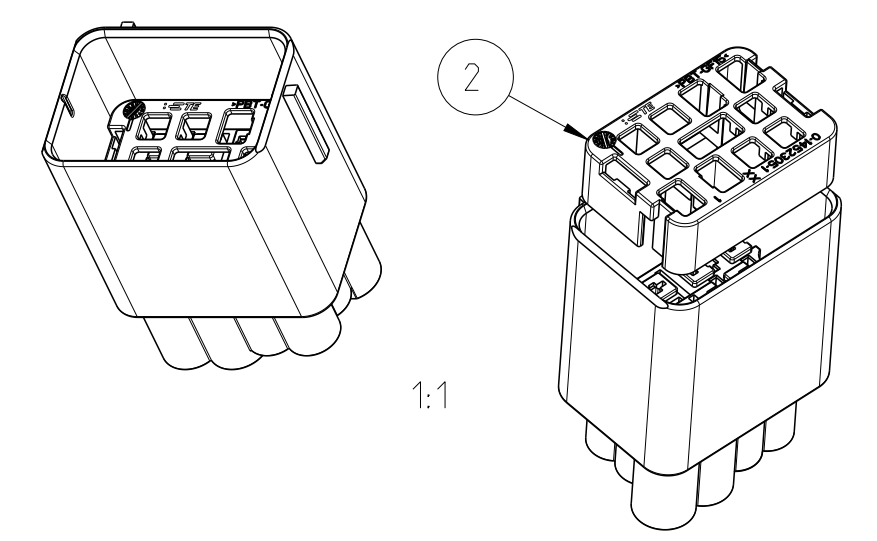
CODING B



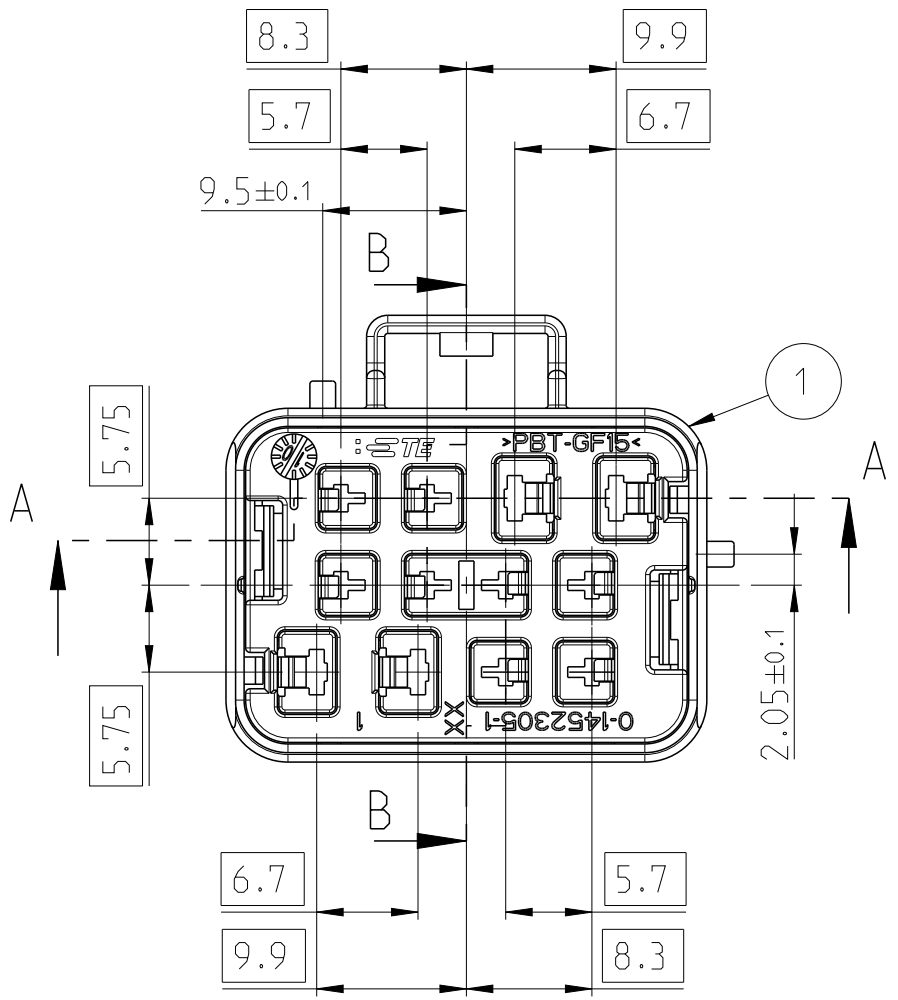
CODING C



1.5MM MALE TERMINAL SEALED
 SUITABLE TERMINALS: FORD CAT2 (SUPPLIER YAZAKI)
 2.8MM MALE TERMINAL SEALED
 SUITABLE TERMINALS: FORD CAT3 (SUPPLIER YAZAKI OR TE)



CODING A



- NOTES:
 Bemerkungen:
- DELIVERY CONDITION: SPACER IN PRE LOCK POSITION
 Anlieferungszustand: Spacer in Vorraststellung
 - MATED WITH TE PART NO. 1452299 AND 1452734
 passend zu TE Teile Nr. 1452299 und 1452734
 - SC SIGNIFICANT CHARACTERISTIC
 Significantes Merkmal
- 1 AS SHOWN
 wie gezeichnet

**PINOUT CONFIGURATION
 Pinoutkonfiguration**

CODING A												
3-1452303-1	X	X	X	X	X			X	X	X	X	X
1-1452303-1	X	X	X	X	X			X	X	X	X	X
0-1452303-1												
	1	2	3	4	5	6	7	8	9	10	11	12

WITH "X" MARKED INDICATE CLOSED LOCATIONS
 Markierte Felder mit "X" kennzeichnen geschlossene Kammern

BLANKED CAVITIES INDICATE OPEN LOCATIONS FOR TERMINALS
 Leere Felder kennzeichnen offene Kammern fuer Kontakte

CODING B												
4-1452303-1	X	X	X	X	X					X	X	
2-1452303-1	X	X	X	X	X					X	X	
0-1452303-2												
	1	2	3	4	5	6	7	8	9	10	11	12

WITH "X" MARKED INDICATE CLOSED LOCATIONS
 Markierte Felder mit "X" kennzeichnen geschlossene Kammern

BLANKED CAVITIES INDICATE OPEN LOCATIONS FOR TERMINALS
 Leere Felder kennzeichnen offene Kammern fuer Kontakte

CODING C												
0-1452303-3												
	1	2	3	4	5	6	7	8	9	10	11	12

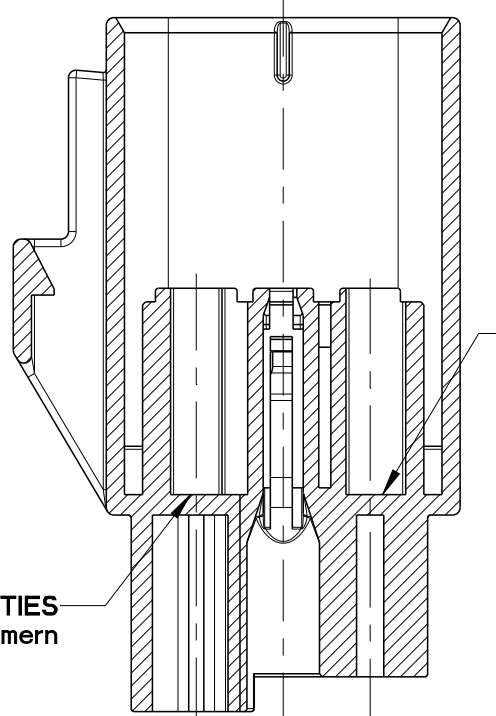
WITH "X" MARKED INDICATE CLOSED LOCATIONS
 Markierte Felder mit "X" kennzeichnen geschlossene Kammern

BLANKED CAVITIES INDICATE OPEN LOCATIONS FOR TERMINALS
 Leere Felder kennzeichnen offene Kammern fuer Kontakte

G4 APPLICABLE COMPONENTS				
ITEM	DESCRIPTION	PLATING / COLOUR	TE PART NO.	YAZAKI PART NO.
1	1.5mm MALE TERMINAL SYSTEM (0.35-0.5mm2)	TIN	-	7114-4102-02
	1.5mm MALE TERMINAL SYSTEM (0.75-1.0mm2)	TIN	-	7114-4103-02
2	WIRE SEAL (1.5mm) (0.35-0.5mm2)	RED	-	7158-3030-50
3	WIRE SEAL (1.5mm) (0.75-1.0mm2)	BLUE	-	7158-3031-90
4	BLIND PLUG (1.5mm)	GREEN	-	7158-3032-60
	2.8mm MALE TERMINAL SYSTEM (0.35mm2)	TIN	0-1326031-1	-
	2.8mm MALE TERMINAL SYSTEM (0.5mm2)	TIN	0-1326031-2	-
	2.8mm MALE TERMINAL SYSTEM (0.75-1.0mm2)	TIN	0-1326031-3	-
	2.8mm MALE TERMINAL SYSTEM (AWG16)	TIN	0-1326031-4	-
5	2.8mm MALE TERMINAL SYSTEM (1.5-2.5mm2)	TIN	0-1326031-5	-
	WIRE SEAL (2.8mm) (0.35-0.5mm2)	GREEN	-	7158-3111-60
7	WIRE SEAL (2.8mm) (0.75-1.0mm2)	YELLOW	-	7158-3112-70
8	WIRE SEAL (2.8mm) (1.5-2.5mm2)	WHITE	-	7158-3113-40
9	BLIND PLUG (2.8mm)	BLUE	-	7158-3114-90

1x		1x					PBT-GF20	MALE HSG. CODING B	green	-
	1x		1x				PBT-GF20	MALE HSG. CODING A	black	-
					1x		PBT-GF20	MALE HSG. CODING C	nature	4
						1x	PBT-GF20	MALE HSG. CODING B	green	3
1x	1x	1x	1x	1x	1x	1x	PBT-GF15	SPACER	red	2
						1x	PBT-GF20	MALE HSG. CODING A	black	1
							MATERIAL	DESCRIPTION	COLOUR	ITEM NO
A	A	D	F	-	C	E	REVISION OF EACH ASSY NO (WHEN BLANK, USE DWG REVISION)			
18.3	18.3	18.3	18.3	-	18.3	18.3	WEIGHT OF EACH ASSY NO [g]			
4-1452303-1	3-1452303-1	2-1452303-1	1-1452303-1	0-1452303-3	0-1452303-2	0-1452303-1	TE ASSY PN			
B	A	B	A	C	B	A	CODING			
2-1452299-1	1-1452299-1	2-1452299-1	1-1452299-1	0-1452299-3	0-1452299-2	0-1452299-1	MATING COMPONENT TE ASSY PN			
							PARTS LIST			

CLOSED CAVITIES / Geschlossene Kammern



CLOSED 15mm CAVITIES
 Geschlossene 1,5mm Kammern

CLOSED 2.8mm CAVITIES
 Geschlossene 2,8mm Kammern

THIS DRAWING IS A CONTROLLED DOCUMENT.

DIMENSIONS:	TOLERANCES UNLESS OTHERWISE SPECIFIED:
mm	0 PLC ±
	1 PLC ±
	2 PLC ±
	3 PLC ±
	4 PLC ±
	ANGLES #5
MATERIAL	FINISH
-	-

DWN	G.PUCKEL	16OCT2001
CHK	S.DENTER	16OCT2001
APVD	G.MUMPER	16OCT2001
PRODUCT SPEC		
APPLICATION SPEC	114-18487	
WEIGHT	-	
CUSTOMER DRAWING		

NAME: 12 POS. INLINER TO REAR-BUMPER CON. ASSY MALE HOUSING

SIZE: A2 CAGE CODE: 00779 DRAWING NO: 1452303 RESTRICTED TO: 1 OF 1 REV: G4

单击下面可查看定价，库存，交付和生命周期等信息

[>>TE Connectivity\(泰科\)](#)