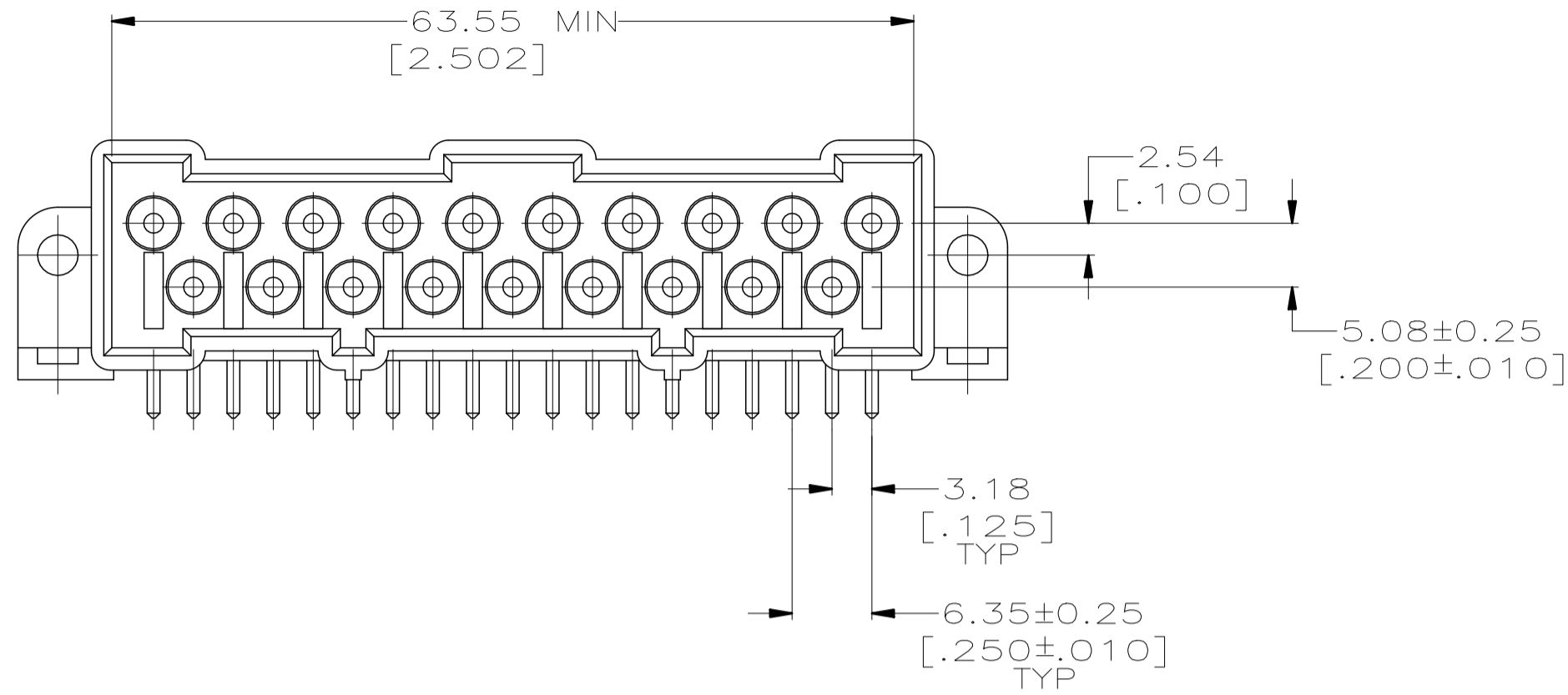
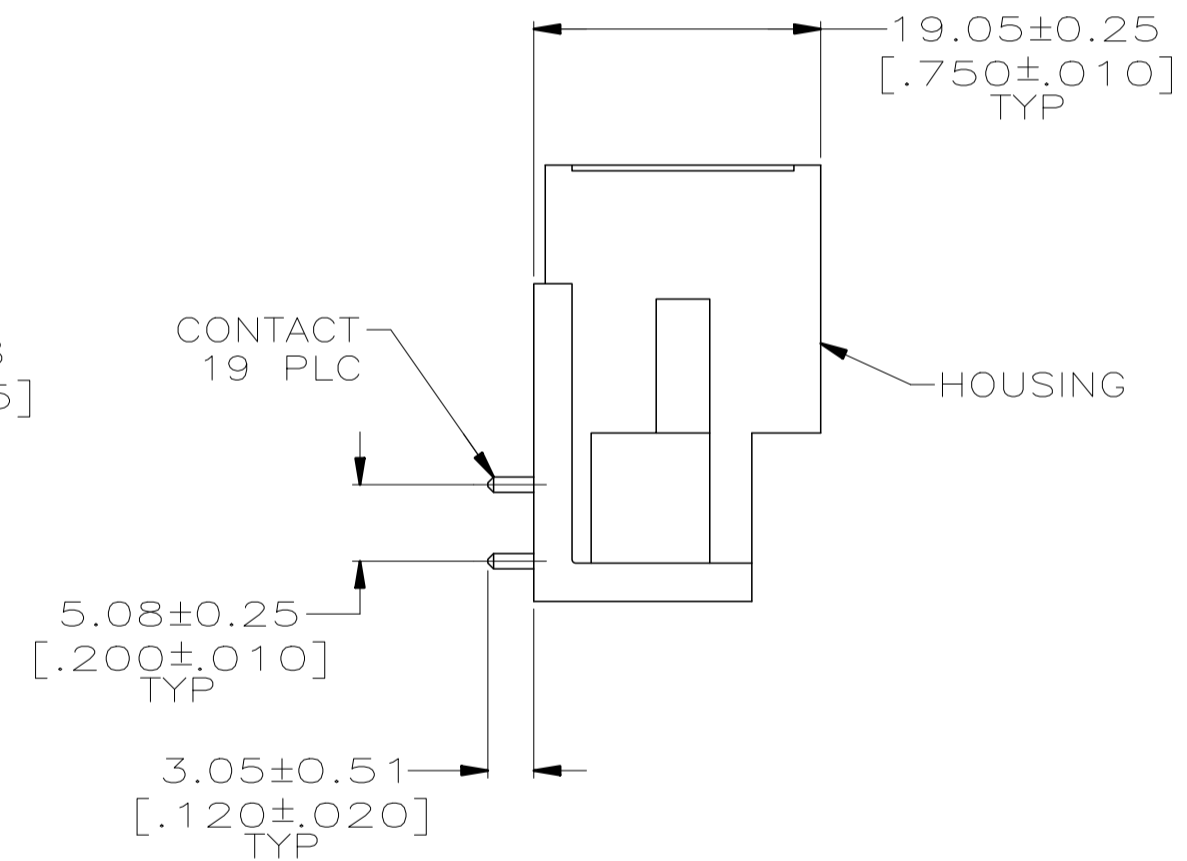
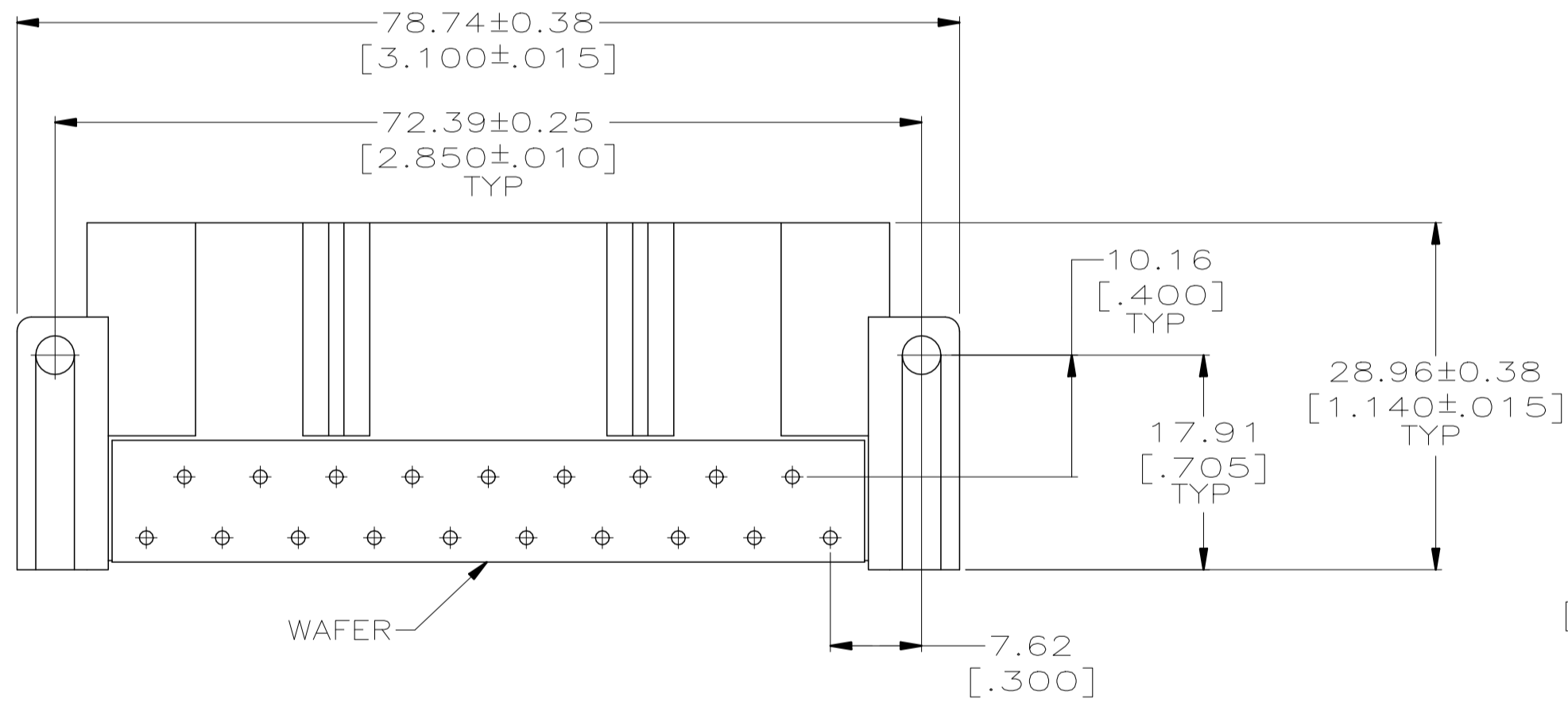


THIS DRAWING IS UNPUBLISHED. RELEASED FOR PUBLICATION
 © COPYRIGHT - TE Connectivity Ltd. ALL RIGHTS RESERVED.

REVISIONS					
P	LTR	DESCRIPTION	DATE	DWN	APVD
	M	REVISED PER ECO-20-001083	30JAN2020	SM	MZ
	L	REVISED PER ECO-18-000443	30JAN2018	RS	MZ



- ① HOUSING MATERIAL: PA66, BLACK, UL 94 V-0 RATED.
- ② PLASTIC LAMINATED SHEET.
- ③ BRASS.
- ④ 3.81µm [.000150] TIN-LEAD OVER COPPER.
- ⑤ .000150 LEAD FREE TIN OVER CU.



OBSOLETE	⑤	208099-3
	④	208099-1
	PLATING	PART NO

THIS DRAWING IS A CONTROLLED DOCUMENT.		DWN	L.SIPE	05/13/92	TE Connectivity Ltd.			
DIMENSIONS: INCHES		CHK	W.LENKER	5-14-92				
TOLERANCES UNLESS OTHERWISE SPECIFIED:		APVD	A.TRAVIS	5-14-92				
0 PLC ± - 1 PLC ± - 2 PLC ± 0.13 [.005] 3 PLC ± - 4 PLC ± - ANGLES ± -		NAME		HEADER ASSEMBLY, PIN, 19 POSN, METRIMATE				
MATERIAL		FINISH		CONTACTS: 4	SIZE	CAGE CODE	DRAWING NO	RESTRICTED TO
①					A2	00779	C-208099	-
CUSTOMER DRAWING				SCALE	2:1	SHEET	1 of 1	REV
								M

单击下面可查看定价，库存，交付和生命周期等信息

[>>TE Connectivity\(泰科\)](#)