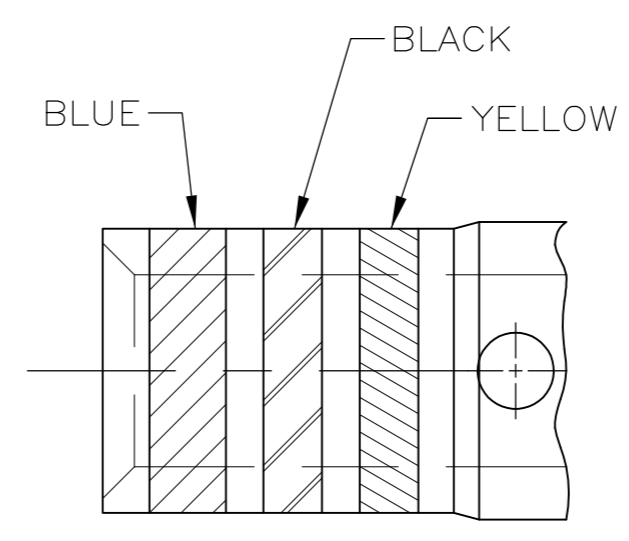
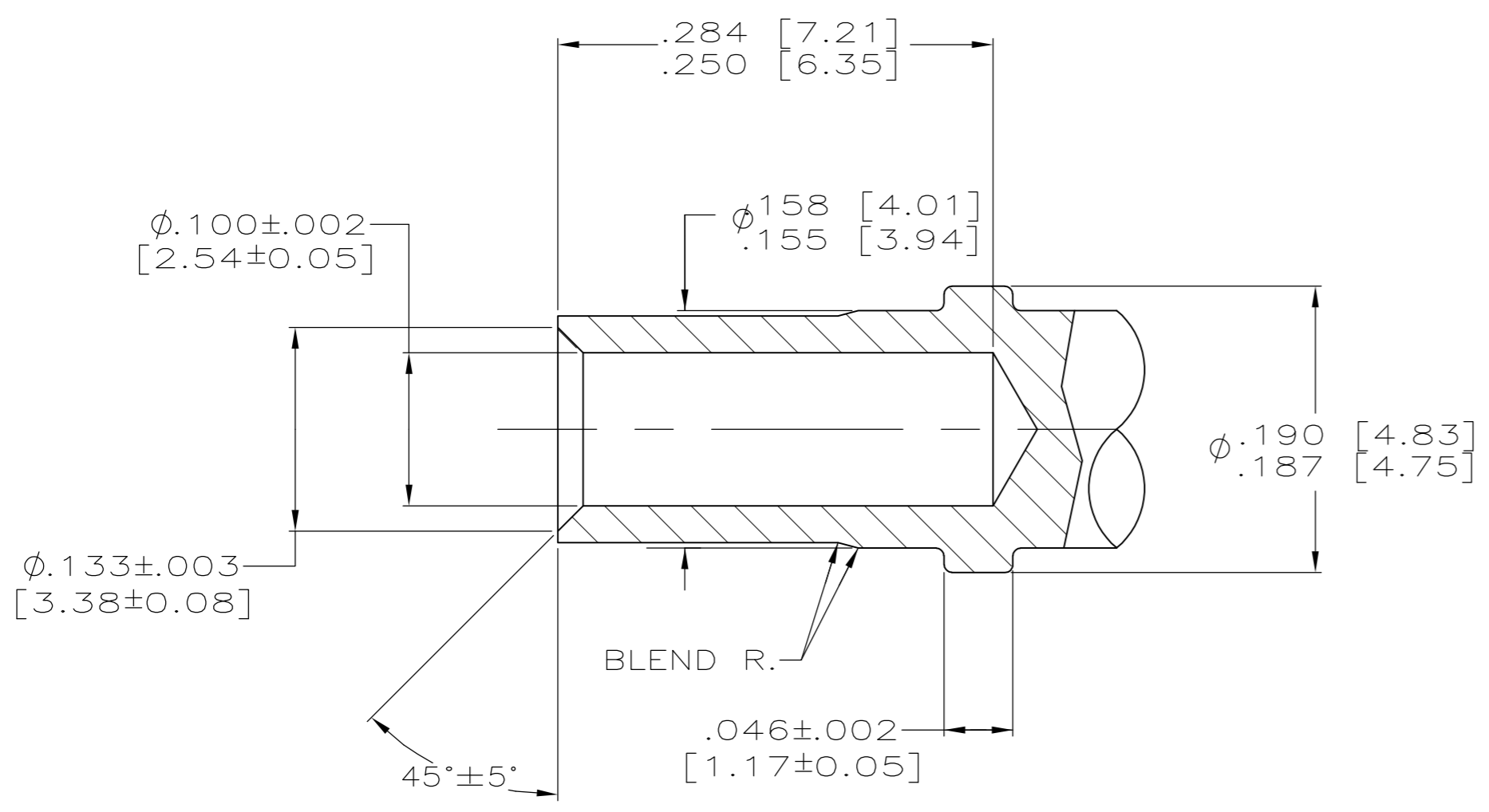
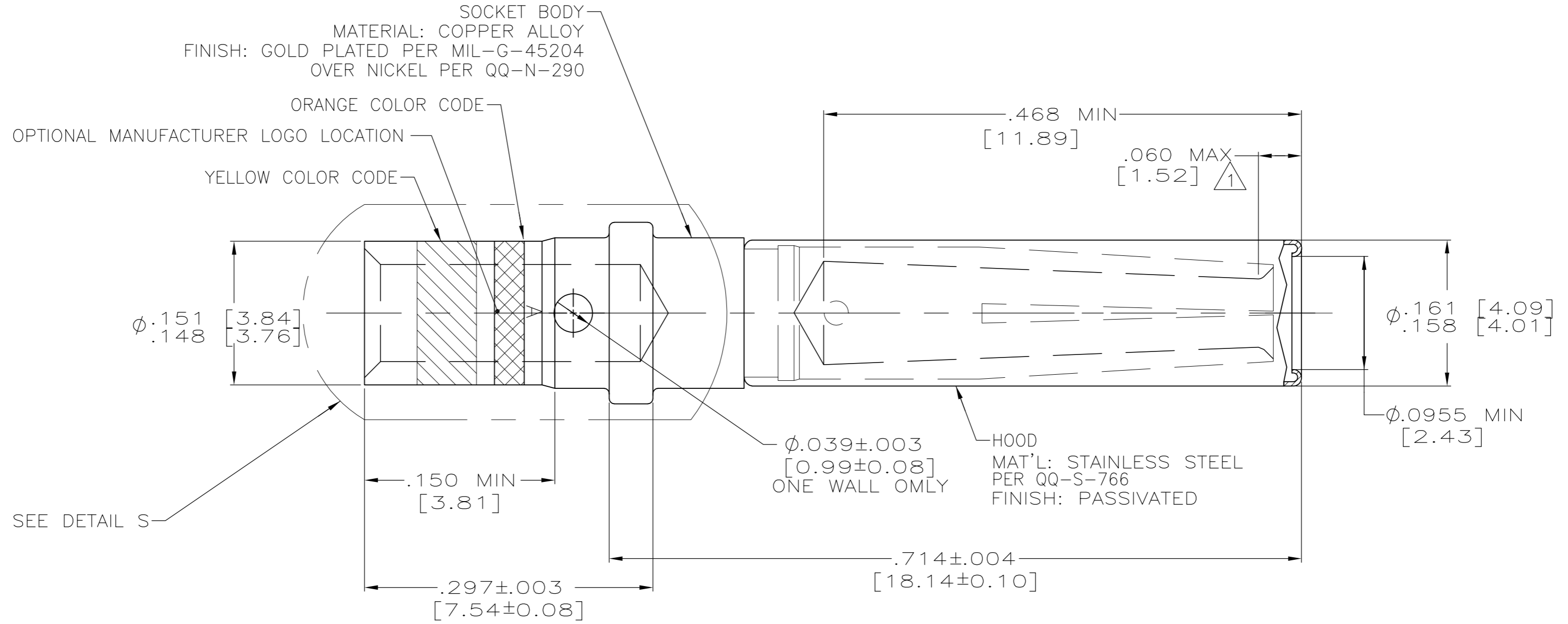


THIS DRAWING IS UNPUBLISHED. RELEASED FOR PUBLICATION  
 © COPYRIGHT - By - ALL RIGHTS RESERVED.

REVISIONS				DATE	DWN	APVD
P	LTR	DESCRIPTION				
F		REV PER ECO 11-016604	8-16-11	CT	WB	

ELECTRICAL ENGAGEMENT POINT.



DETAIL A  
 COLOR CODE  
 (208273-4 ONLY)

SEE DETAIL A	208273-4
AS SHOWN	208273-2
REMARKS	PART NO.

THIS DRAWING IS A CONTROLLED DOCUMENT.		DWN	C.C.THOMAS	9/11/98		TE Connectivity		
DIMENSIONS: INCHES		CHK	S.GLATFELTER	9-14-98		NAME		
TOLERANCES UNLESS OTHERWISE SPECIFIED:		APVD	S.GLATFELTER	9-14-98		SOCKET CONTACT ASSY, SIZE 12, ARINC 600		
0 PLC ± - 1 PLC ± - 2 PLC ± - 3 PLC ± .005 [0.13] 4 PLC ± - ANGLES ± -		PRODUCT SPEC		RESTRICTED TO				
MATERIAL: SEE CALLOUTS		FINISH: SEE CALLOUTS		WEIGHT	-	SIZE	A2	
SEE CALLOUTS		SEE CALLOUTS		CAGE CODE	00779	DRAWING NO	C=208273	
CUSTOMER DRAWING				SCALE	10:1	SHEET	1 OF 1	
				REV	F			

单击下面可查看定价，库存，交付和生命周期等信息

[>>TE Connectivity\(泰科\)](#)