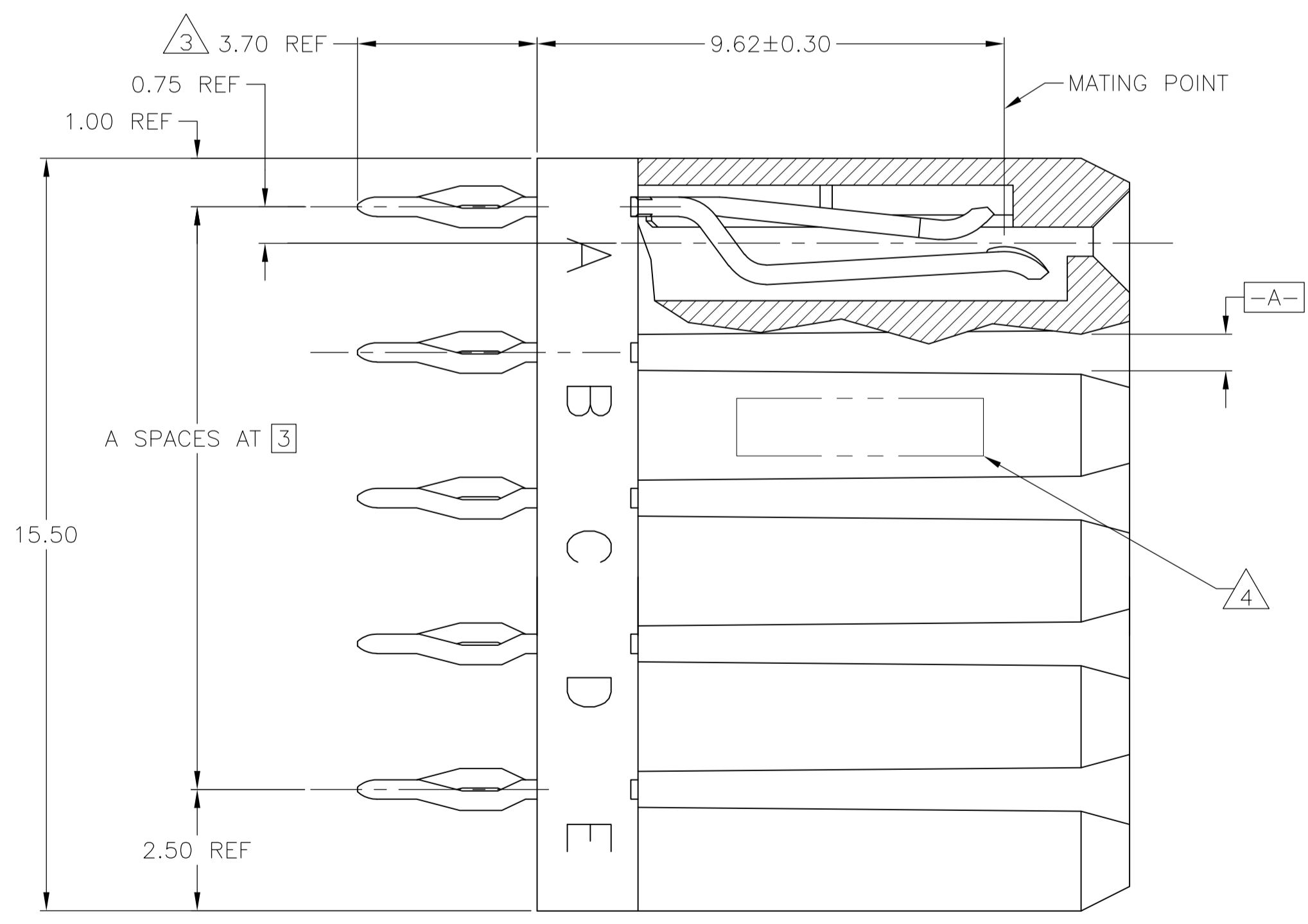
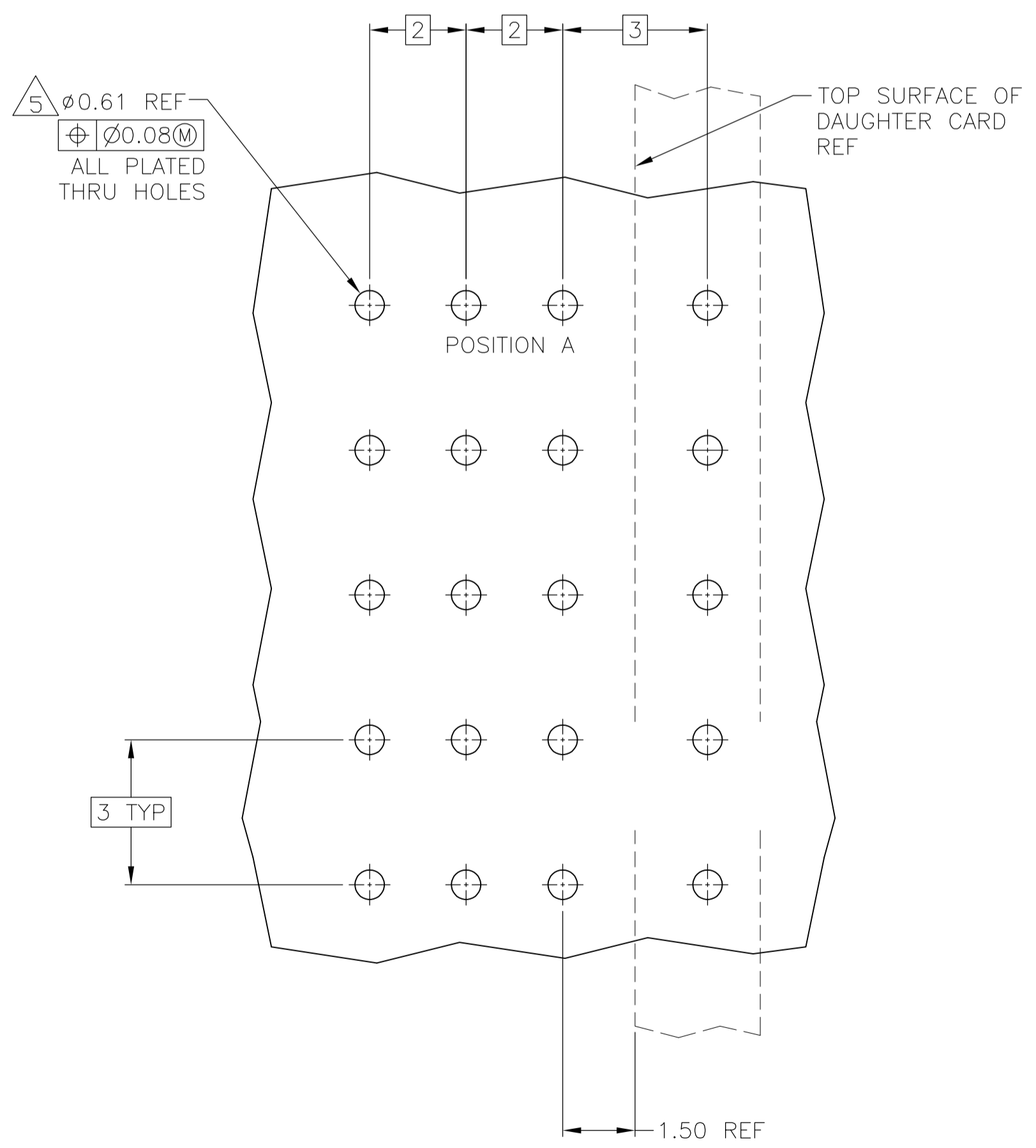
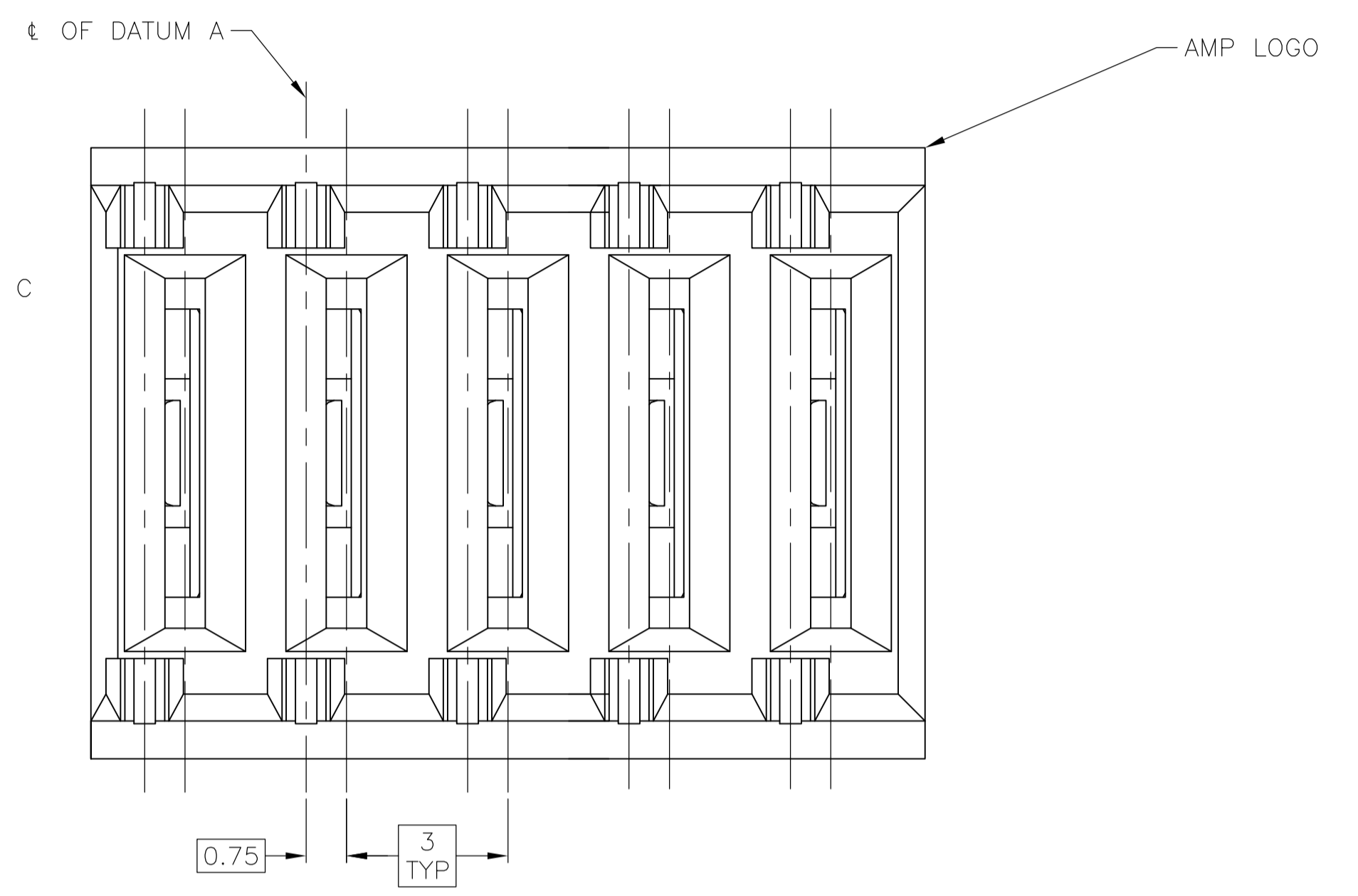
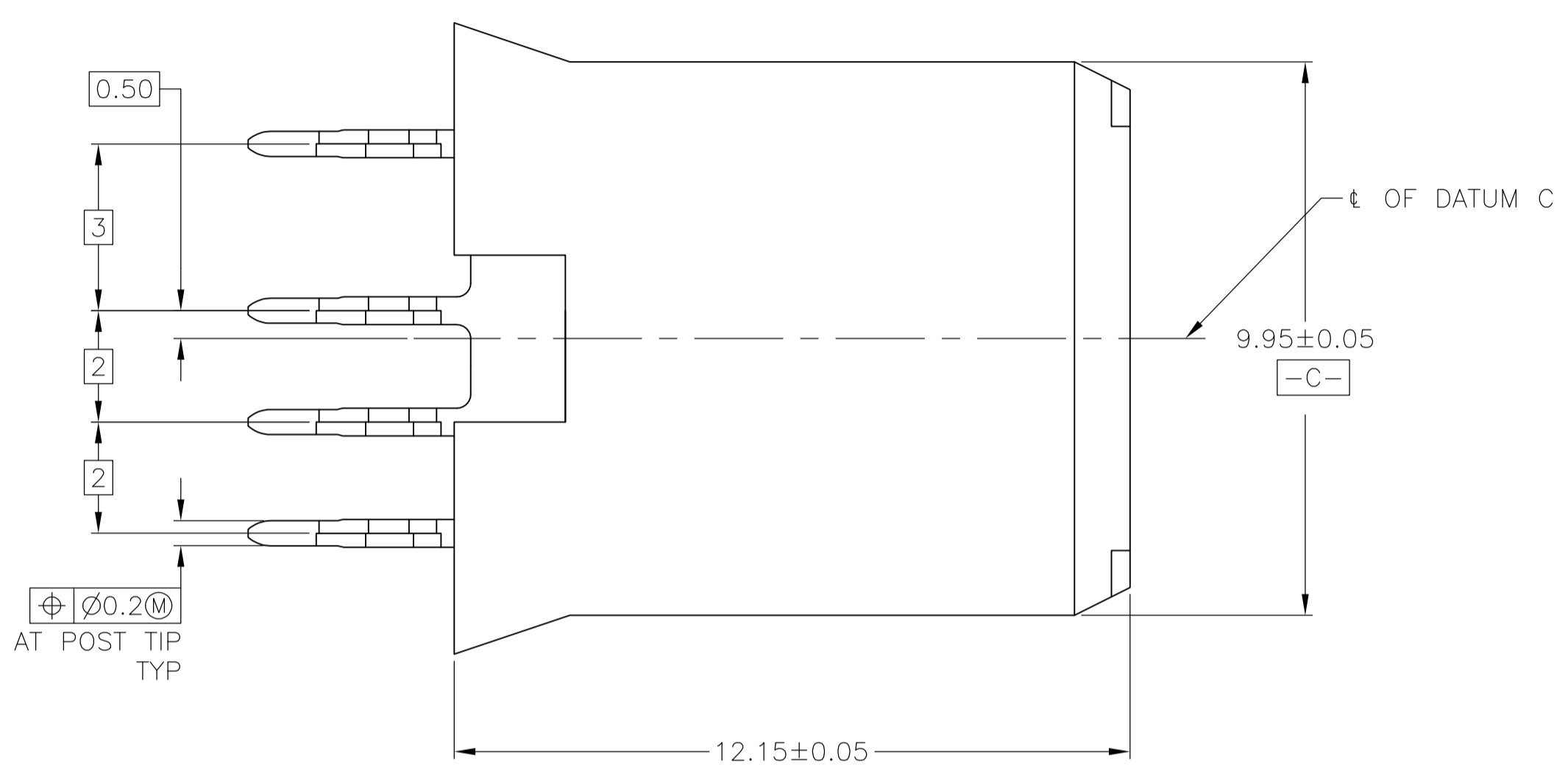
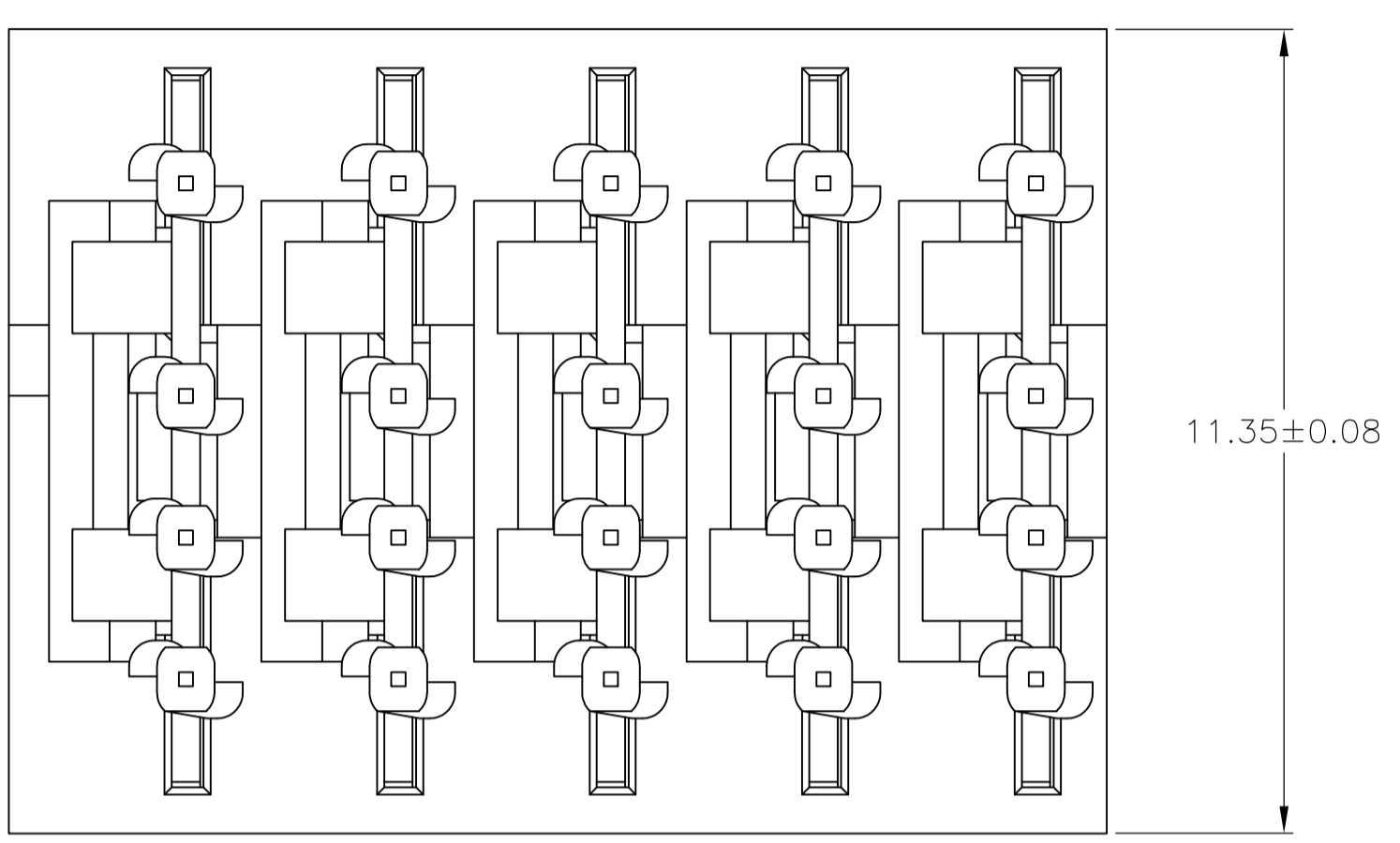


LOC		DIST		REVISIONS			
P	LTR	DESCRIPTION	DATE	DN	APVD		
A		RELEASED	02SEP09	DH	DY		

- 1 MATERIAL: HOUSING : POLYESTER, GRAY. UL 94V-0.
CONTACT: HIGH CURRENT COPPER ALLOY.
- 2 FINISH: CONTACT MATING AREA: 1.27µm MIN GOLD.
ACTION PIN AREA, 0.5µm MIN MATTE TIN PLATE,
ALL OVER 1.27µm MIN NICKEL UNDERPLATE.
- 3 TOLERANCE TO BE ±0.28 AFTER CONNECTOR IS APPLIED TO PC BOARD.
- 4 DATE CODE THIS APPROXIMATE AREA, OPPOSITE SIDE.
- 5 REFERENCE APPLICATION SPEC 114-1103 FOR RECOMMENDED
PLATED THRU HOLE DIAMETER AND PLATING THICKNESS.
- 6. CURRENT RATING 16A/CONTACT PER PRODUCT SPEC 108-1651.



RECOMMENDED PCB HOLE LAYOUT

5	4	1645527-2
POSITION	A	PART NUMBER

THIS DRAWING IS A CONTROLLED DOCUMENT.		DIN D.HUMBERT 14AUG2009 CHK D.YI 14AUG2009 APVD D.YI 14AUG2009	Tyco Electronics Corporation Harrisburg, Pa 17105-3608
DIMENSIONS: mm TOLERANCES UNLESS OTHERWISE SPECIFIED: 0. PLC ± - 1. PLC ± - 2. PLC ± 0.13 3. PLC ± - 4. PLC ± - ANGLES ± -	PRODUCT SPEC APPLICATION SPEC WEIGHT -	NAME RECEPTACLE ASSEMBLY, UNIVERSAL POWER MODULE	RESTRICTED TO SIZE CASE CODE DRAWING NO A1 00779 C=1645527
MATERIAL 1	FINISH 2	CUSTOMER DRAWING	SCALE 10:1 SHEET 1 OF 1 REV A

单击下面可查看定价，库存，交付和生命周期等信息

[>>TE Connectivity\(泰科\)](#)