

4

3

2

1

THIS DRAWING IS UNPUBLISHED.

RELEASED FOR PUBLICATION

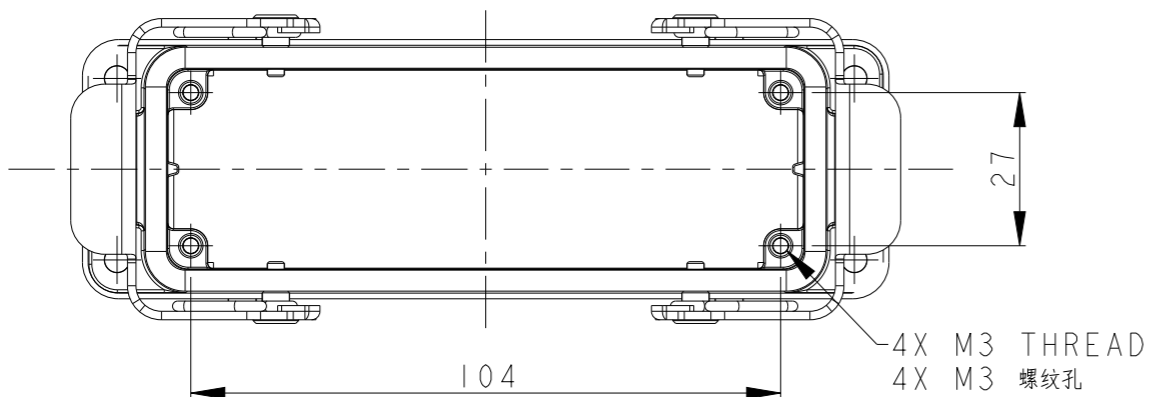
20

© COPYRIGHT 20 BY -

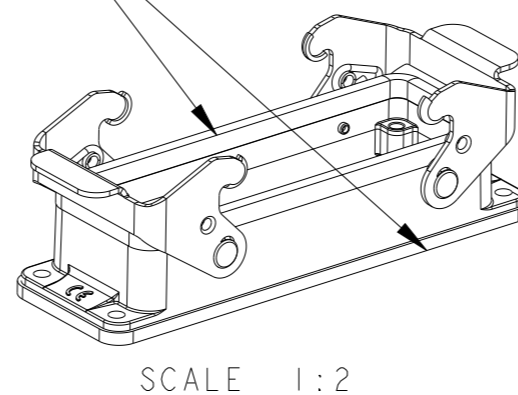
ALL RIGHTS RESERVED.

REVISIONS

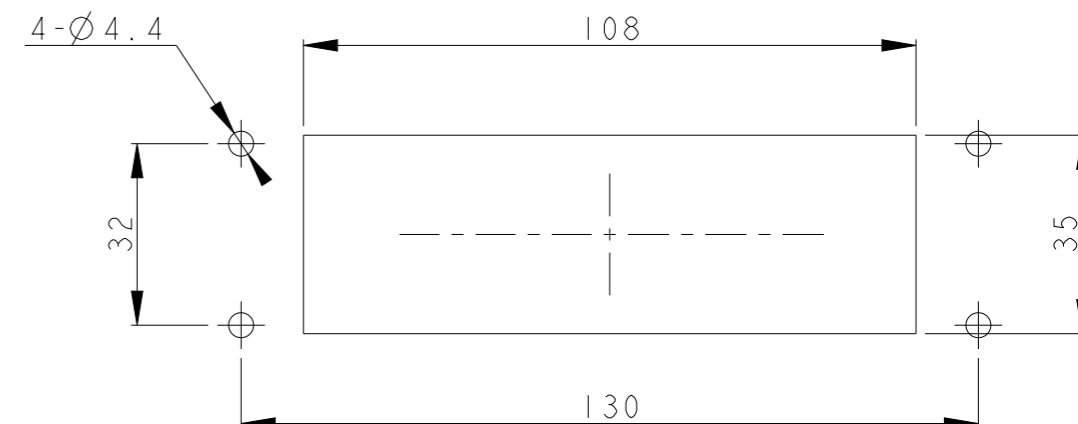
P	LTR	DESCRIPTION	DATE	DWN	APVD
	A	INITIAL RELEASE	12JUN2015	DL	CW
	B	ECR-20-014876	16JUL2021	WQR	CW

FOR FG "T1410242000-100"
SEAL FIXED BY GLUE


104
27
4X M3 THREAD
4X M3 螺纹孔



SCALE 1:2



4- ϕ 4.4
108
32
130
3.5

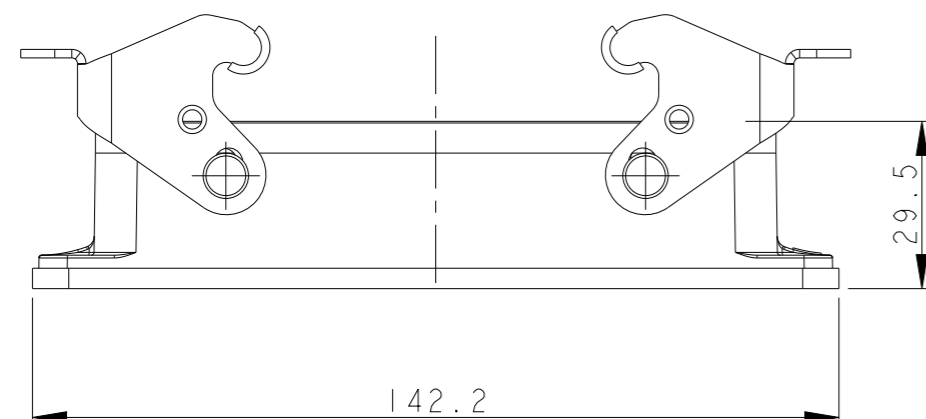
开孔安装示意图
PANNEL CUT OUT

NOTES:

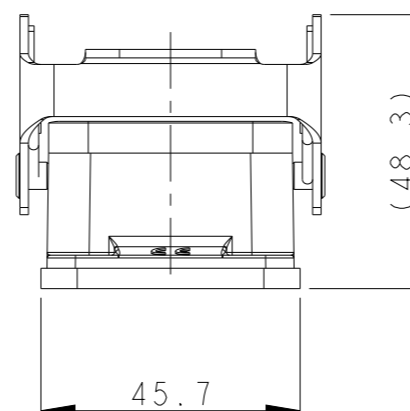
1. TECHNICAL CHARACTERISTICS:
BODY MATERIAL: DIE CAST ALUMINIUM ALLOY
SURFACE TREATMENT: POWDER-COATED, GRAY
DEGREE OF PROTECTION: IP65 (MATED)

注释:

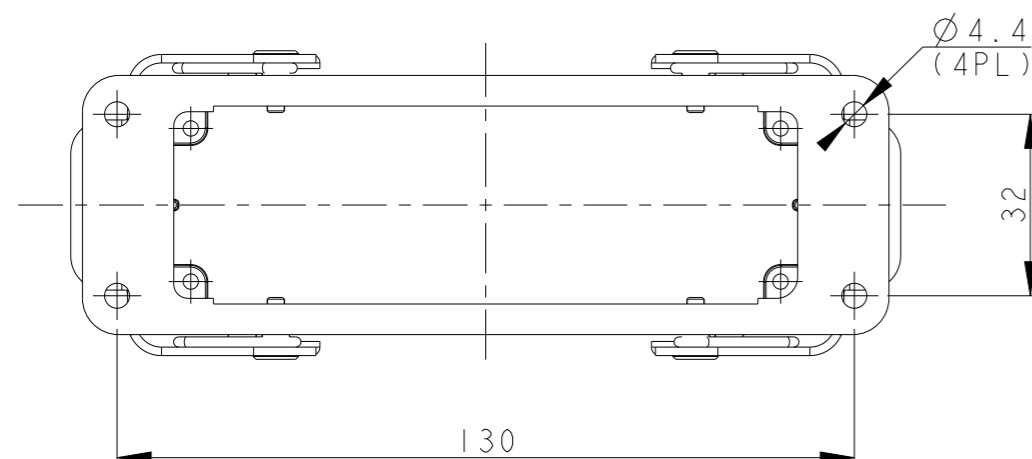
1. 技术参数:
主体材料: 铝合金
表面处理: 粉末喷涂, 灰色
防护等级: IP65(配合)



142.2
29.5




45.7
48.3



ϕ 4.4
(4PL)
32
130

T1410242000-000	H24B-AG	-
T1410242000-100		SEAL FIXED BY GLUE
ASSEMBLY PART NUMBER	ASSEMBLY PART DESCRIPTION	REMARK

THIS DRAWING IS A CONTROLLED DOCUMENT.		DWN	DAVID LI	12JUN2015	 TE Connectivity
DIMENSIONS: mm		CHK	CHRIS WANG	12JUN2015	
TOLERANCES UNLESS OTHERWISE SPECIFIED:		APVD	XU XIANG	12JUN2015	
0 PLC \pm - 1 PLC \pm - 2 PLC \pm - 3 PLC \pm - 4 PLC \pm - ANGLES \pm - FINISH		PRODUCT SPEC	NAME H24B-AG		
MATERIAL		APPLICATION SPEC	108-137013		SIZE
		WEIGHT	114-137013		CAGE CODE
		CUSTOMER DRAWING	-		DRAWING NO
		SCALE	3:4		RESTRICTED TO
		SHEET	1 OF 1		REV
			-		B

1470-19 (3/13)

Downloaded From Onevac.com

单击下面可查看定价，库存，交付和生命周期等信息

[>>TE Connectivity\(泰科\)](#)