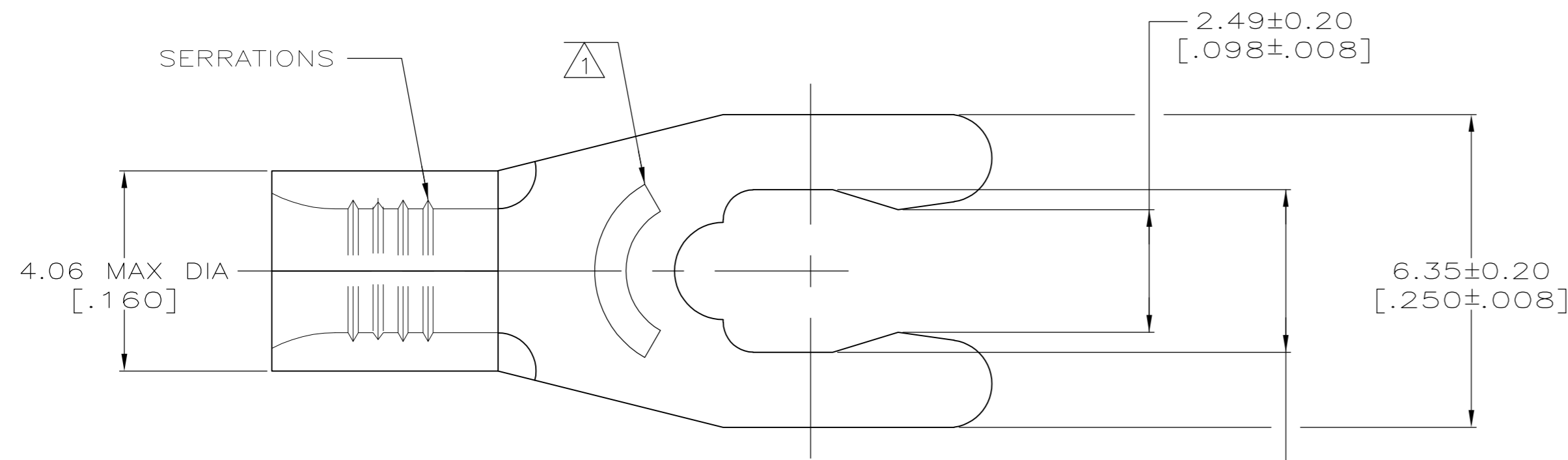


THIS DRAWING IS UNPUBLISHED. RELEASED FOR PUBLICATION  
 © COPYRIGHT BY TYCO ELECTRONICS CORPORATION. ALL INTERNATIONAL RIGHTS RESERVED.

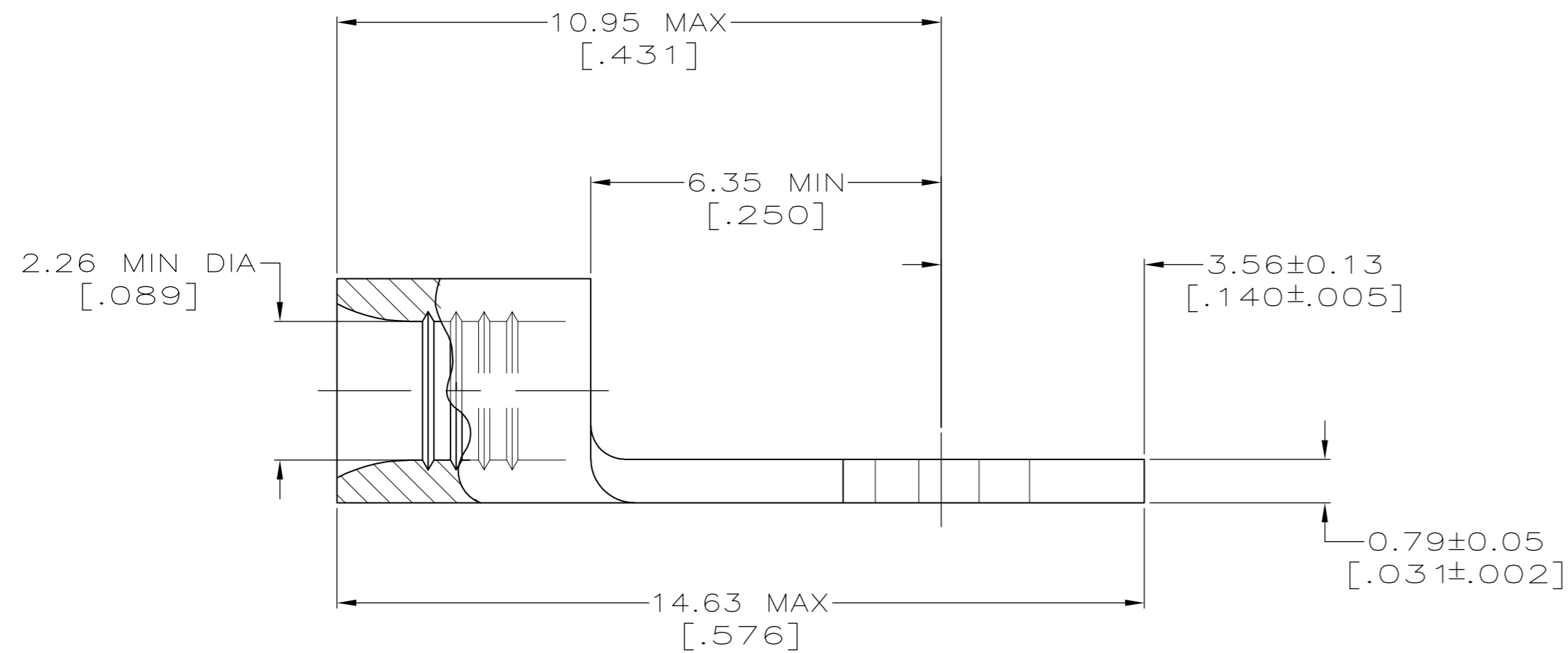
LOC	DIST	REVISIONS					
		P	LTR	DESCRIPTION	DATE	DWN	APVD
G	14		A1	REDRAWN PER ECR 10-006147	23MAR10	JR	TM



<b>AMP</b> WIRE RANGE	Listed FILE E13288	LR7189 Certified
16-14 AWG STRANDED	16-14 AWG STRANDED	NOT CERTIFIED

3.30±0.13  
[.130±.005]  
FOR #5 STUD

- 1 STAMP 5S AMP 16-14\* APPROX AS SHOWN  
5S INDICATES STUD SIZE
- 2 PHOS BRONZE PER ASTM B103, ANNEALED
- 3 TIN PLATE 0.00254 [.000100] MIN THK PER  
ASTM B545



53009-1  
PART NO.

<b>CUSTOMER SERVICE SYSTEMS</b>		MAX RECOMMENDED OPERATING TEMPERATURE: 170°C MAX		THIS DRAWING IS A CONTROLLED DOCUMENT.		DWN TA BRINKMAN 2-12-93		Tyco Electronics Corporation Harrisburg, PA 17105-3608	
FOR ADDITIONAL PRODUCT INFORMATION OR COPIES OF DRAWINGS AND TECHNICAL DOCUMENTS		PRODUCT INFORMATION CENTER 1-800-522-6752		DIMENSIONS: MM [ INCHES ]		TOLERANCES UNLESS OTHERWISE SPECIFIED:		CHK DA PATTERSON 2-12-93	
FOR APPLICATION TOOLING INFORMATION		TOOLING ASSISTANCE CENTER 1-800-722-1111		VOLTAGE RATING: N/A		0 PLC ± - 1 PLC ± - 2 PLC ± - 3 PLC ± - 4 PLC ± - ANGLES ± -		APVD JL MECKLEY 2-12-93	
FOR ORDER ENTRY		1-800-526-5142		CIRCULAR MIL AREA: 1.04-2.62mm² [2,050-5,180] STRANDED		MATERIAL		PRODUCT SPEC	
THIS DRAWING IS A CONTROLLED DOCUMENT FOR AMP INCORPORATED. IT IS SUBJECT TO CHANGE AND THE CONTROLLING ENGINEERING ORGANIZATION SHOULD BE CONTACTED FOR THE LATEST REVISION.				FINISH		-2		-3	
						NAME		TERMINAL, SHORT SPRING SPADE, BUDGET 16-14	
						SIZE		CAGE CODE	
						A2		00779	
						DRAWING NO		C=53009	
						RESTRICTED TO		-	
						CUSTOMER DRAWING		SCALE 10:1	
						SHEET		1 of 1	
						REV		A1	

53009

单击下面可查看定价，库存，交付和生命周期等信息

[>>TE Connectivity\(泰科\)](#)