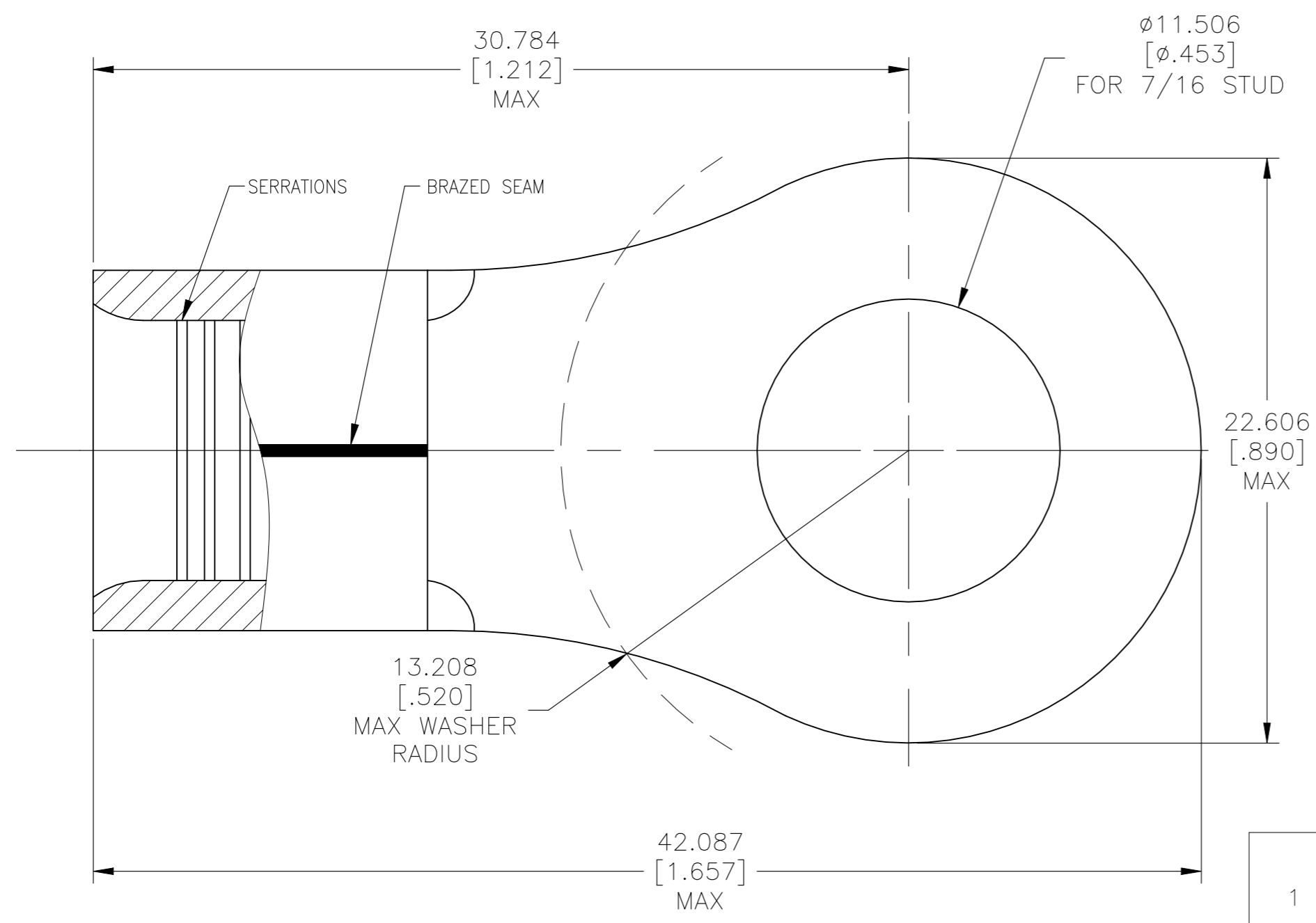


© - TE Connectivity. All Rights Reserved.

REVISIONS					
P	LTR	DESCRIPTION	DATE	DWN	APVD
	B	REVISED PER ECO-15-006978	06JUN2015	NK	MM



- 1 WIRE RANGE IS FOR 2 AWG. STANDARD WIRE CROSS SECTIONAL AREA RANGE: 52,600-83,700 CMA, STRANDED WIRE.
 - 2 TERMINAL BODY MATERIAL THK IS 1.778±0.076[.070±.003].
 - 3 RECOMMENDED OPERATING TEMP -55°C [131°F] TO +200°C [392°F] FOR HEAT SHRINK TUBING
 - 4 HEAT SHRINK TUBING SHELF LIFE OF 18 MONTHS FROM DATE CODE ON LABEL
- 5 TERMINAL BODY PRODUCT SPECIFICATION 108-32046. APPLICATION SPECIFICATION 114-2162.

1	1-1196717-9	HIGH AND LOW TEMPERATURE CROSS LINKED FLUOROPOLYMER HEAT SHRINK TUBING 15.88[.625]MIN IDX38.10±2.03[1.50±.08] RT555-5/8-0-SP
1	320741-1	TERMINAL BODY: COPPER PER ASTM B152 ANNEALED FINISH: NICKEL PLATE 0.00762 [.000300] MIN EXT THK PER SAE AMS QQ-N-290
-1	PART NO	DESCRIPTION

THIS DRAWING IS A CONTROLLED DOCUMENT.		DWN JR RUTH 08DEC09	STE TE Connectivity		
DIMENSIONS: mm [INCHES]		CHK TOM MICHIELUTTI 08DEC09			
TOLERANCES UNLESS OTHERWISE SPECIFIED:		APVD TOM MICHIELUTTI 08DEC09	NAME -		
0 PLC ± -		PRODUCT SPEC	HEAT RESISTANT TERMINAL KIT, WIRE SIZE: 2 AWG		
1 PLC ± -		APPLICATION SPEC	SIZE CAGE CODE DRAWING NO RESTRICTED TO		
2 PLC ± -			A3 00779 C-696645		
3 PLC ± 0.127 [.005]			SCALE 5:1 SHEET 1 OF 1 REV B		
4 PLC ± -					
ANGLES ± 1°					
MATERIAL SEE TABLE		FINISH SEE TABLE			
		WEIGHT -			
		CUSTOMER DRAWING			

单击下面可查看定价，库存，交付和生命周期等信息

[>>TE Connectivity\(泰科\)](#)