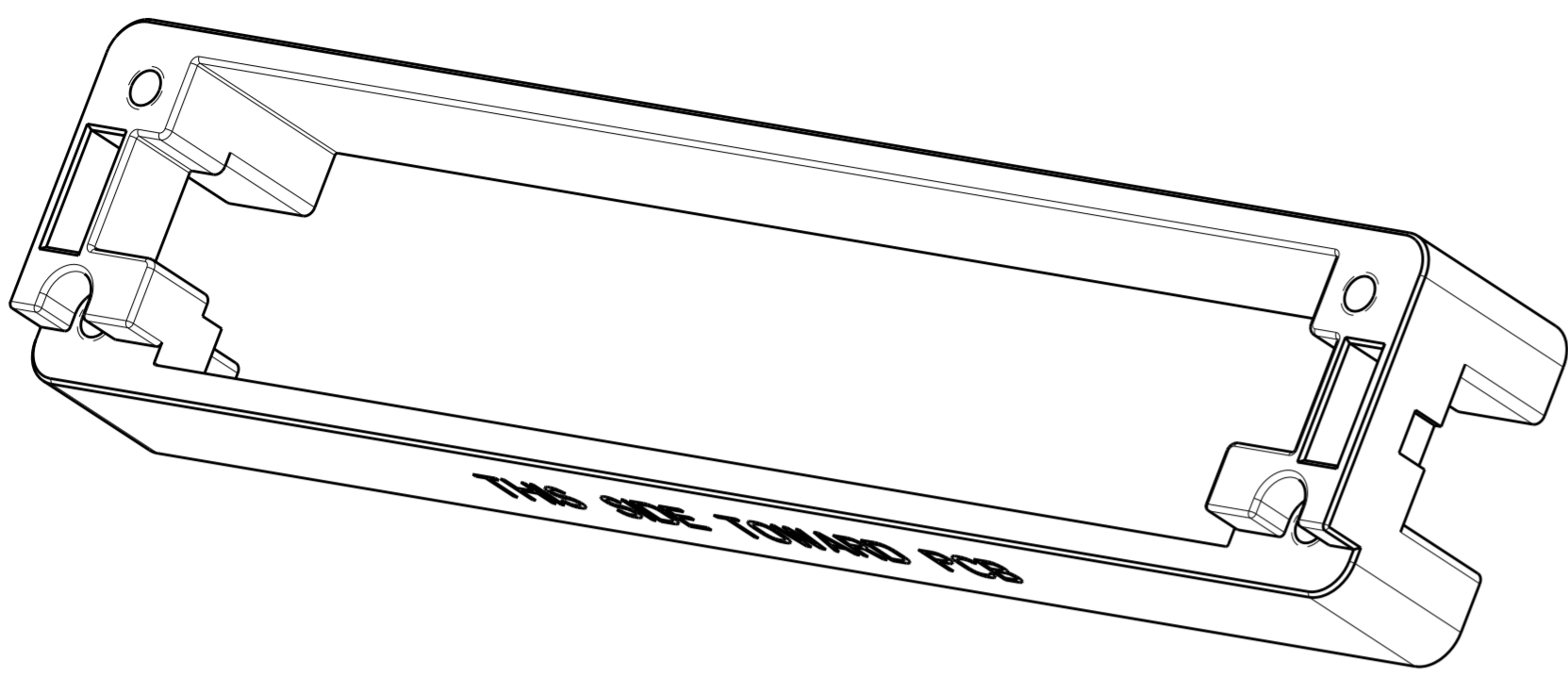


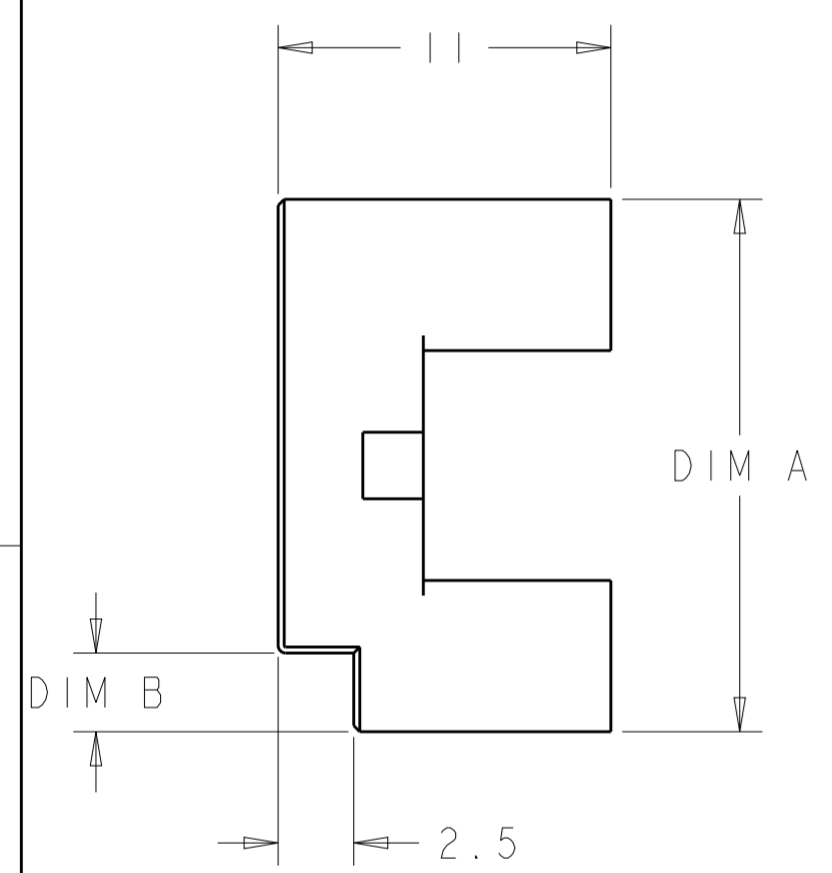
THIS DRAWING IS UNPUBLISHED. RELEASED FOR PUBLICATION 20
 © COPYRIGHT 20 ALL RIGHTS RESERVED.

LOC	DIST	REVISIONS					
GP	00	P	LTR	DESCRIPTION	DATE	DWN	APVD
		1		ORIGINAL	18OCT2011	BMM	MRS
		2		ADD -2	14JUL2016	PP	SH

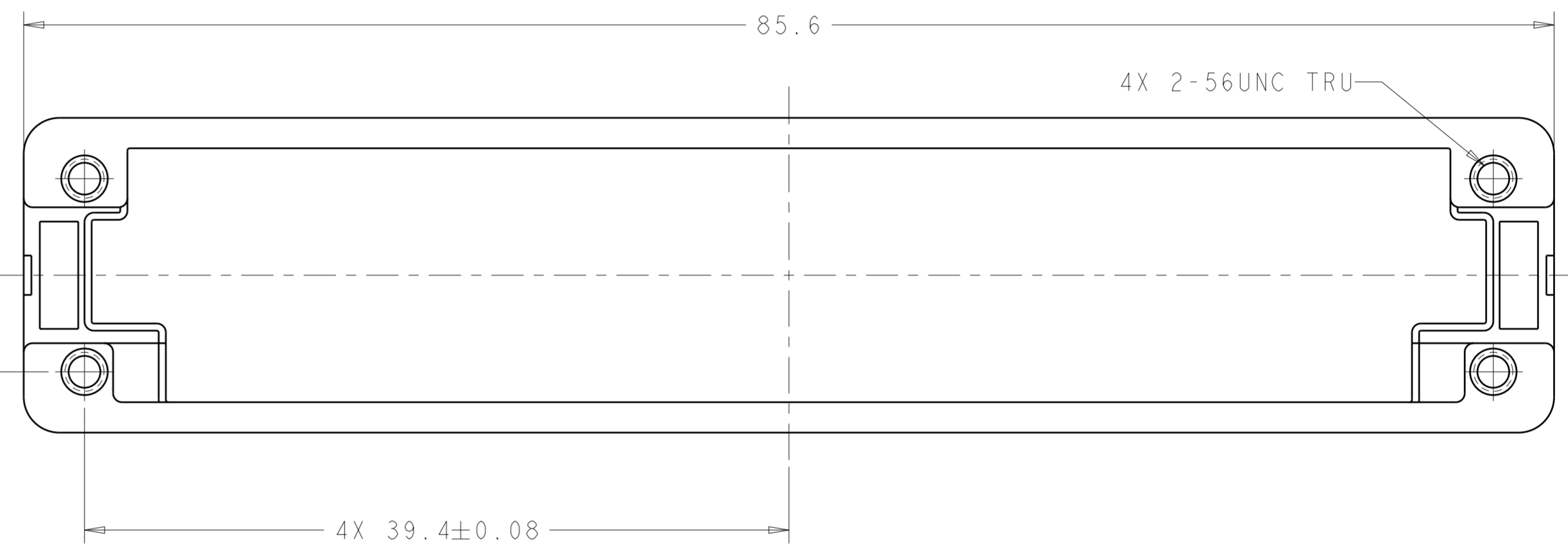


REAR ISOMETRIC VIEW
SCALE 3:1

- ① ZINC ALLOY PER ASTM B 86. ALLOY AG40A.
- ② 1.27µm MIN NICKEL PLATE PER QQ-N-290 OVER 5.08µm MIN COPPER PLATE PER AMS 2418.
- ③ TEXT INDICATES THIS SURFACE OF THE PART IS TO FACE TOWARD PCB.



4X 5.4±0.08



③

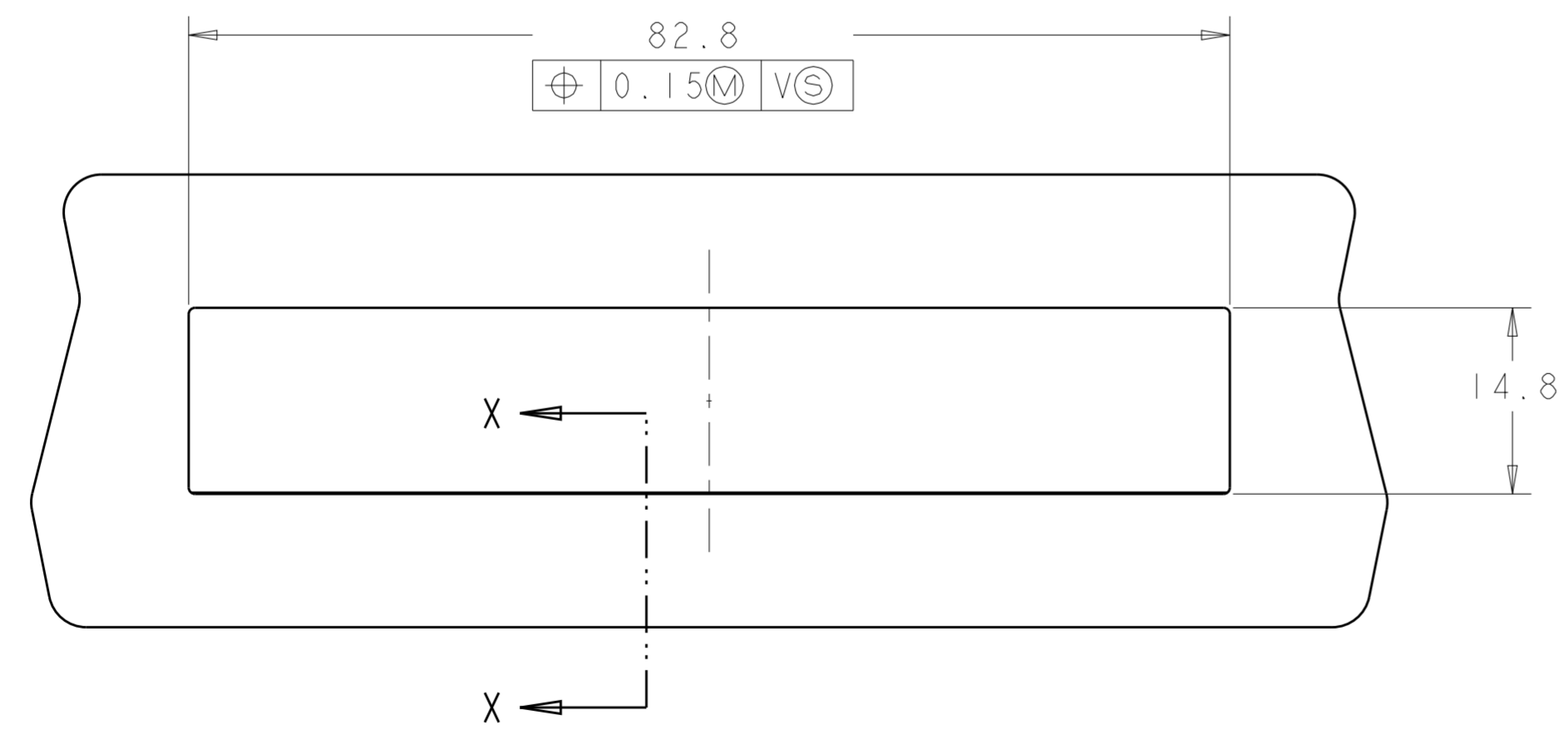
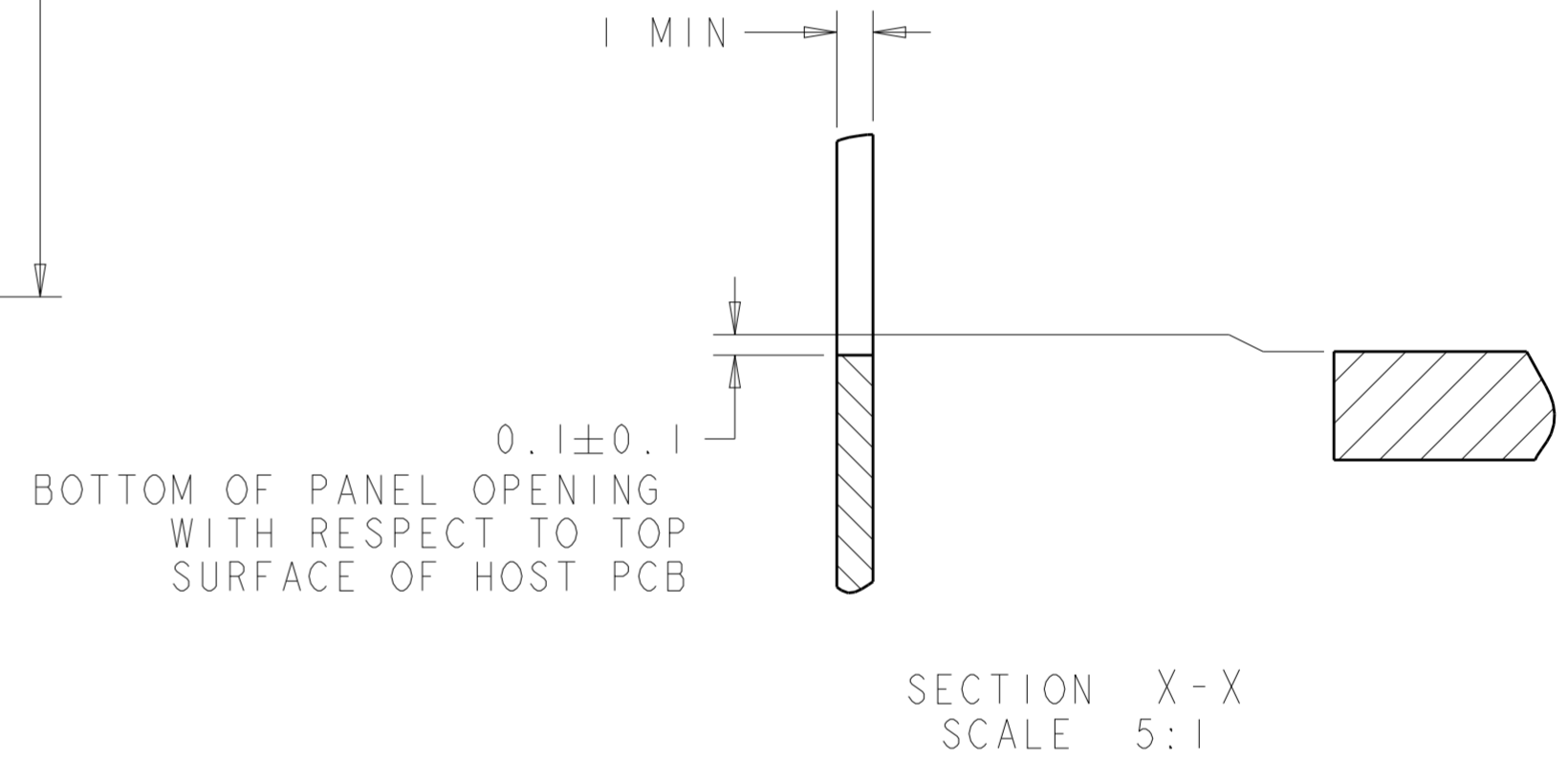
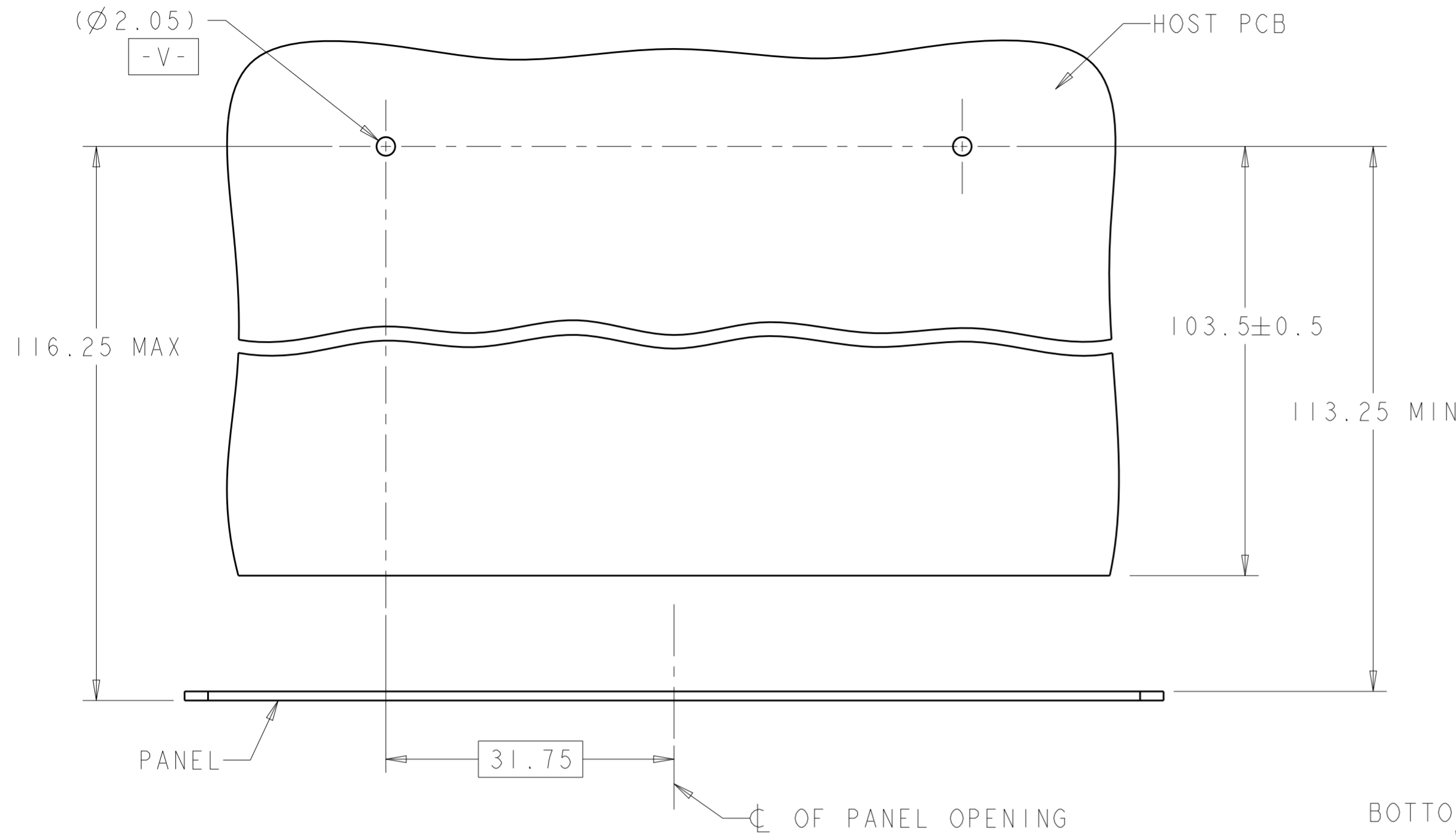
2.20	16.80	2057928-6
2.60	17.60	2057928-3
DIM B	DIM A	PART NUMBER

THIS PRINT IS
PRELIMINARY
UNQUALIFIED PRODUCT
CONTACT PRODUCT ENGINEERING
BEFORE USING THIS PRINT

THIS DRAWING IS A CONTROLLED DOCUMENT.		DWN B. MATTHEWS 18OCT2011	TE Connectivity	
DIMENSIONS: mm		CHK M. SCHMITT 18OCT2011		
TOLERANCES UNLESS OTHERWISE SPECIFIED:		APVD M. SCHMITT 18OCT2011	NAME BACKER PLATE ASSEMBLY, 100 GIG PLUGGABLE	
0 PLC ±0.13 1 PLC ±0.1 2 PLC ±0.05 3 PLC ± 4 PLC ± ANGLES ± FINISH ±		PRODUCT SPEC -	RESTRICTED TO -	
MATERIAL ①		APPLICATION SPEC -	SIZE A200779	CAGE CODE C-2057928
②		WEIGHT -	DRAWING NO C-2057928	
CUSTOMER DRAWING		SCALE 1:1		SHEET 1 OF 2
				REV 3

THIS DRAWING IS UNPUBLISHED. RELEASED FOR PUBLICATION 20
 © COPYRIGHT 20 ALL RIGHTS RESERVED.

LOC	DIST	REVISIONS					
GP	00	P	LTR	DESCRIPTION	DATE	DWN	APVD
		-		SEE SHEET 1	-	-	-



RECOMMENDED PANEL OPENING AND PANEL LOCATION WITH RESPECT TO HOST PCB SCALE 2:1

THIS DRAWING IS A CONTROLLED DOCUMENT.		DWN B. MATTHEWS	18OCT2011	TE Connectivity			
DIMENSIONS: mm		CHK M. SCHMITT	18OCT2011				
TOLERANCES UNLESS OTHERWISE SPECIFIED:		APVD M. SCHMITT	18OCT2011				
0 PLC ±0.13 1 PLC ±0.1 2 PLC ±0.05 3 PLC ± 4 PLC ± ANGLES ± FINISH ±		NAME	BACKER PLATE ASSEMBLY, 100 GIG PLUGGABLE				
MATERIAL		PRODUCT SPEC		SIZE	CAGE CODE	DRAWING NO	RESTRICTED TO
		APPLICATION SPEC		A2	00779	C-2057928	
		WEIGHT		SCALE	1:1	SHEET	2 OF 2
		CUSTOMER DRAWING		REV	3		

单击下面可查看定价，库存，交付和生命周期等信息

[>>TE Connectivity\(泰科\)](#)