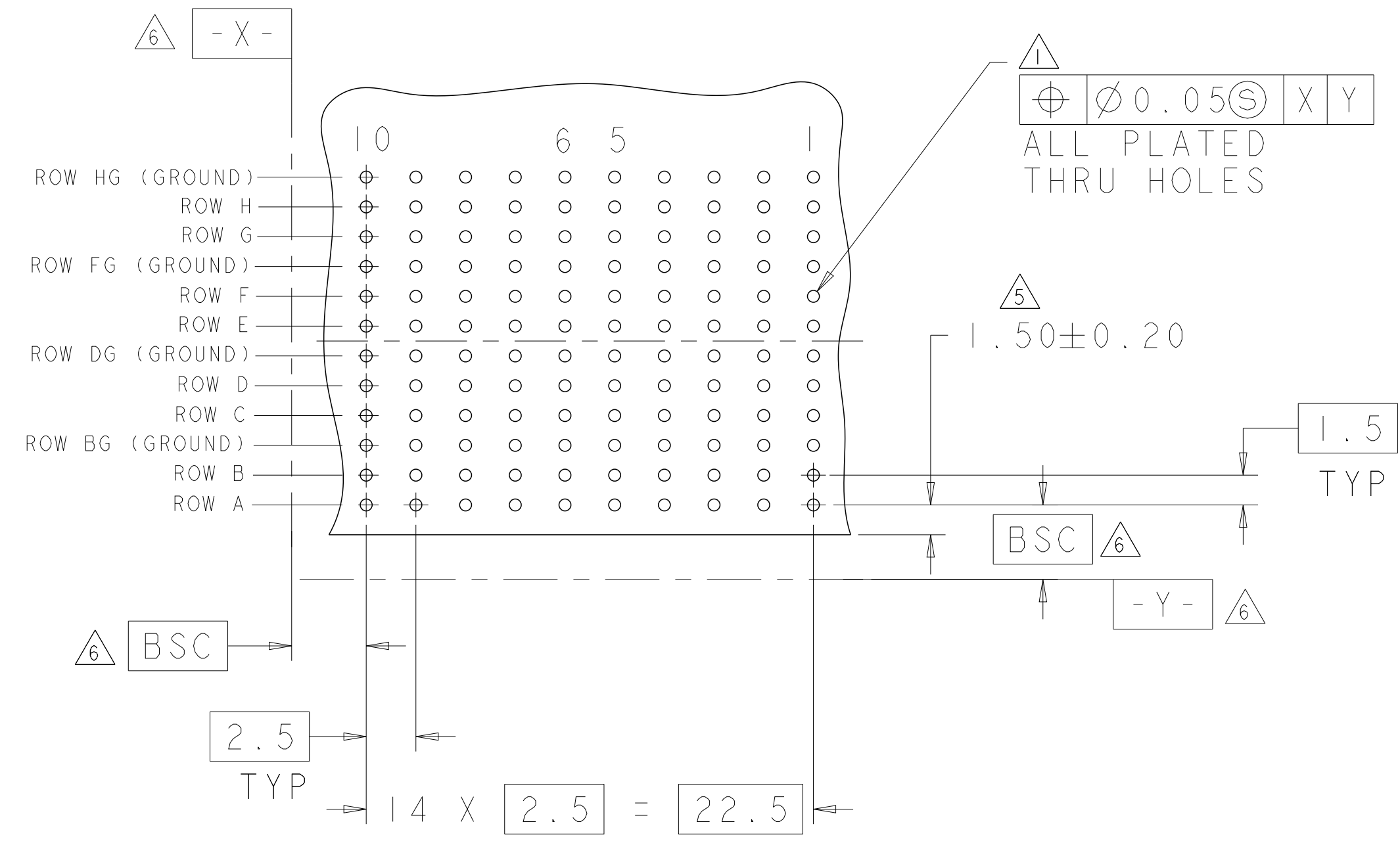
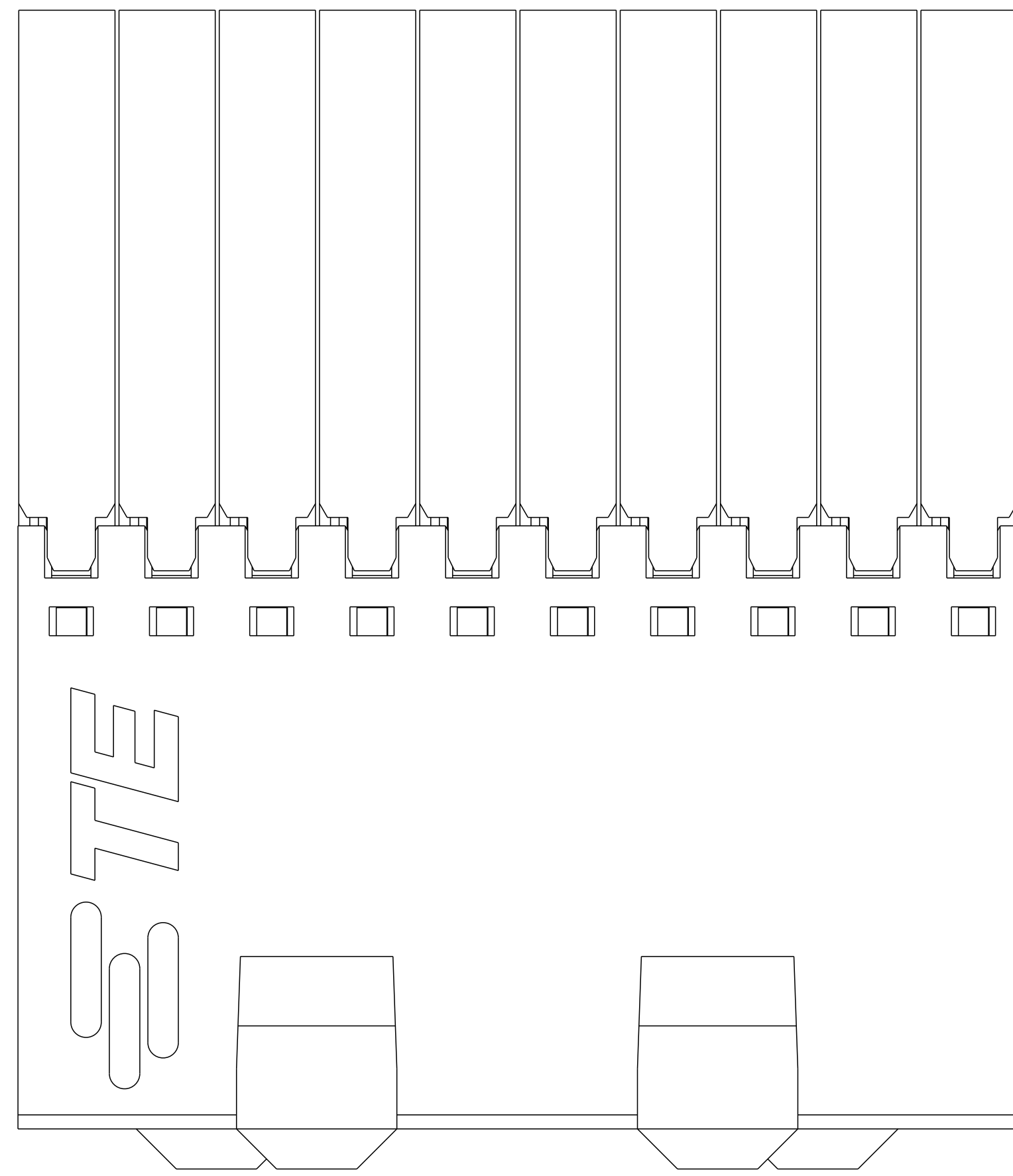
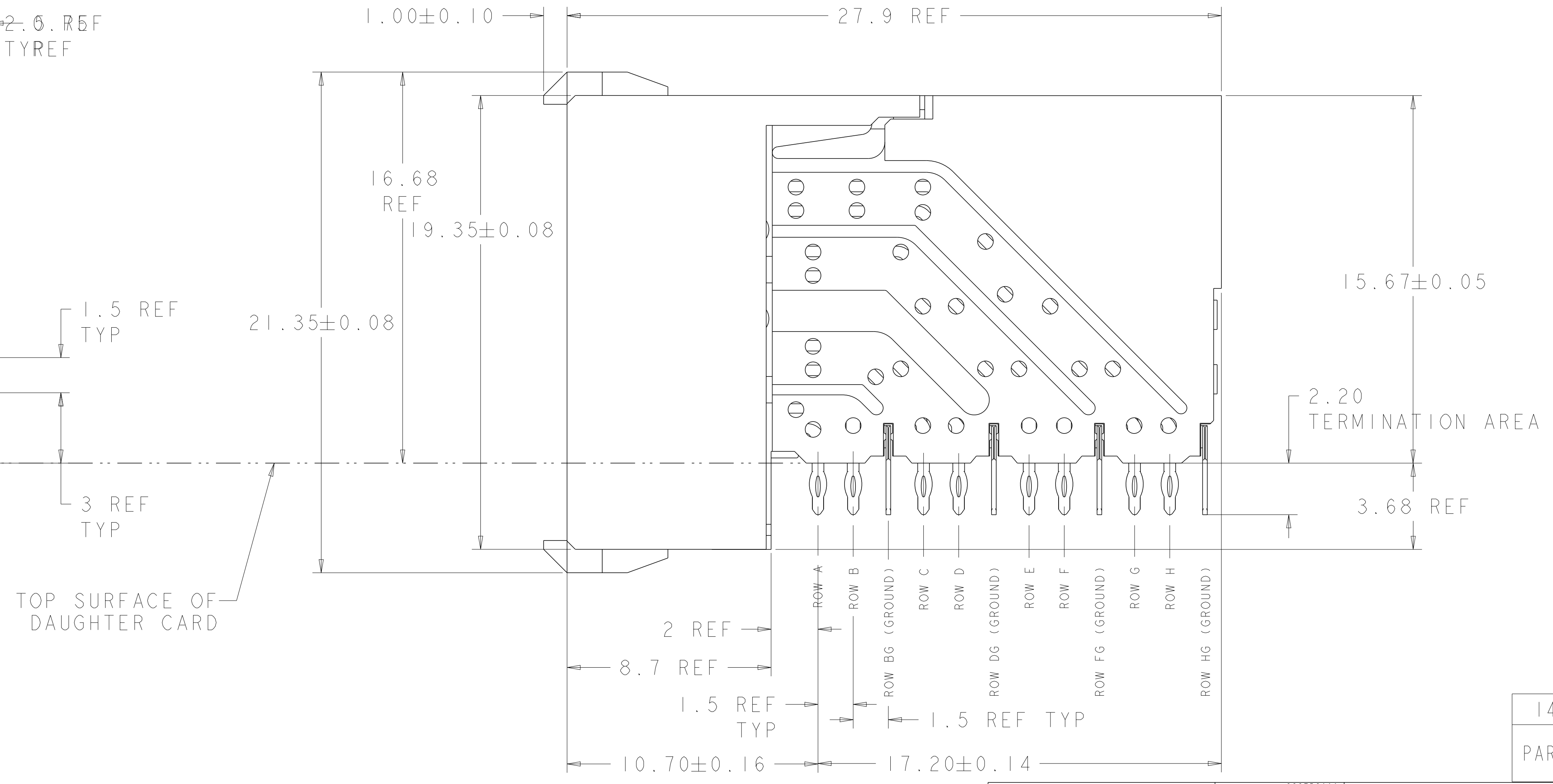
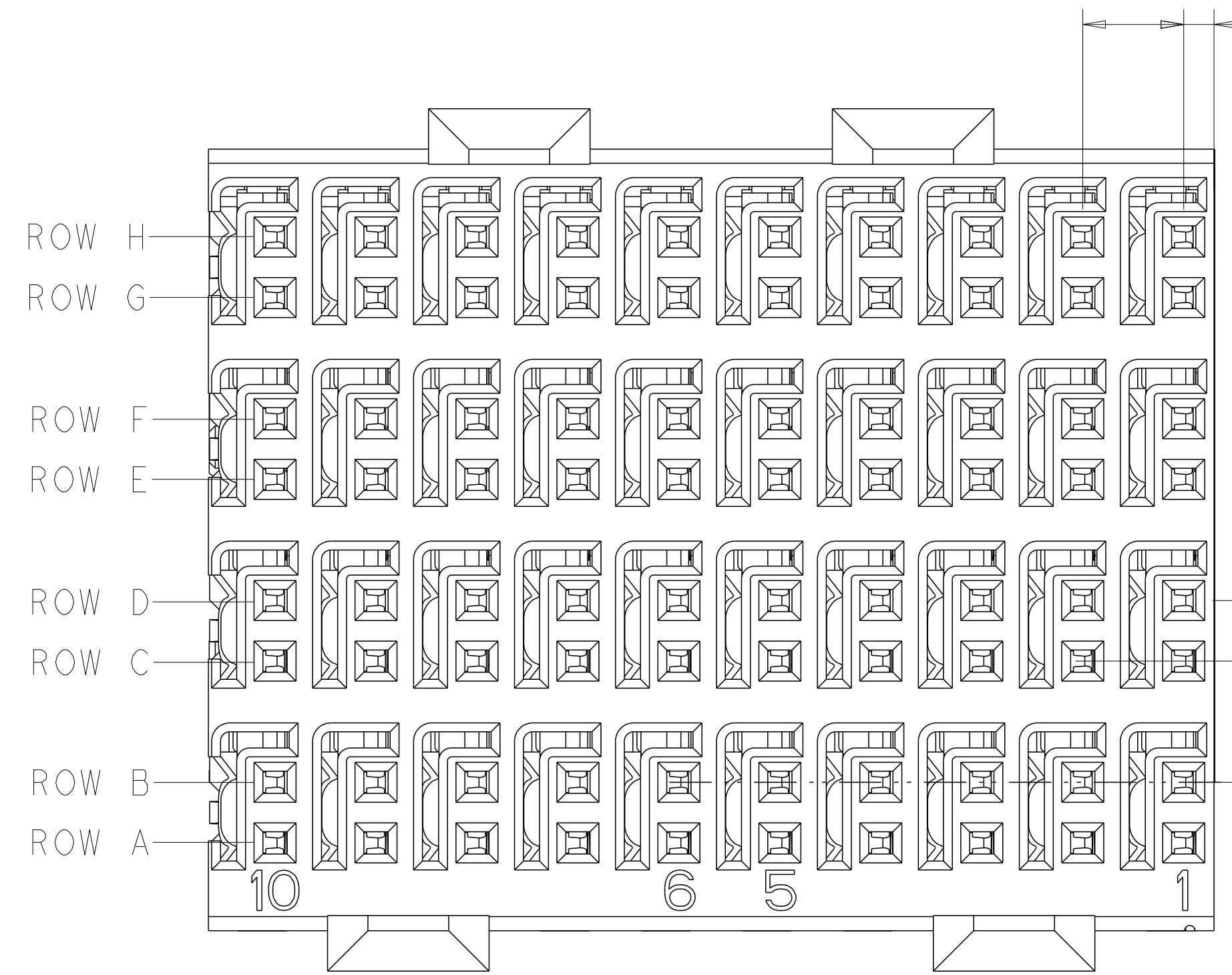


| REVISIONS | | | | |
|-----------|-----|---------------------------|-----------|-------|
| P | LTR | DESCRIPTION | DATE | APVD |
| G | | REVISED PER ECO-14-005095 | 11APR2014 | AP RP |
| H | | REVISED PER ECO-16-008845 | 21SEP2016 | AP RP |
| J | | REVISED PER ECO-17-013036 | 13SEP2017 | AP RP |

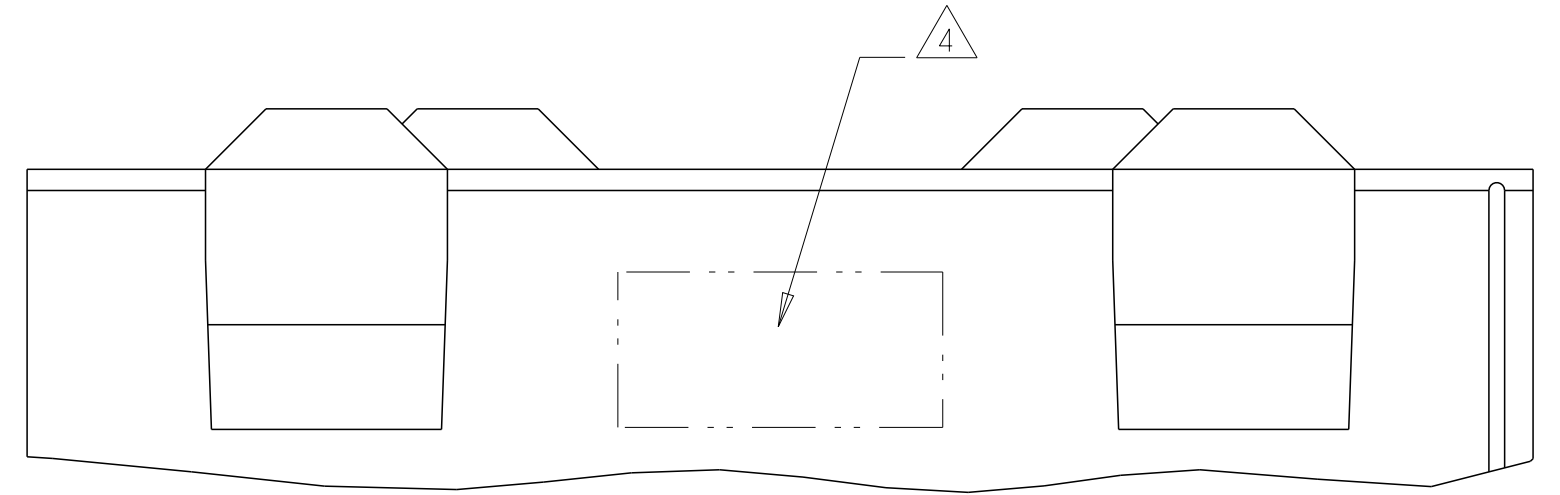


RECOMMENDED PC BOARD LAYOUT,
 DAUGHTER BOARD,
 COMPONENT SIDE SHOWN
 SCALE 4:1

- 1. REFERENCE APPLICATION SPEC 114-13059 FOR RECOMMENDED PLATED THRU HOLE DIAMETER AND PLATING THICKNESSES.
- 2. MATERIAL:
 SHIELD - PHOSPHOR BRONZE
 CONTACT - COPPER-NICKEL-SILICON
 HOUSING, CHICKLET AND CHICKLET COVER - GLASS FILLED POLYESTER, UL 94V-0 RATED.
- 3. FINISH: SIGNAL AND GROUND CONTACTS:
 MATING AREA: MEETS THE PERFORMANCE REQUIREMENTS OF PRODUCT SPECIFICATION 108-2055; BASED ON TELCORDIA GR-1217-CORE, APPLICATIONS IN UNCONTROLLED ENVIRONMENTS
 COMPLIANT PIN AREA: 0.5µm MIN BRIGHT TIN-LEAD OVER BASE PLATING
- 4. CONNECTOR MARKED WITH PART NUMBER AND DATE CODE IN APPROXIMATE AREA SHOWN
- 5. DIMENSION APPLIES TO CENTERLINE OF THRU HOLE.
- 6. DATUMS AND BASIC DIMENSIONS ESTABLISHED BY CUSTOMER.
- 7. CONTACT AREA LUBRICATED WITH BELLCORE APPROVED LUBRICANT. TECHNICAL REFERENCE: GR-1217-CORE, ISSUE 1, NOVEMBER 1995.



TOP SURFACE OF DAUGHTER CARD



1469001-1
 PART NUMBER

| | | | |
|--|---|----------------------------|--|
| THIS DRAWING IS A CONTROLLED DOCUMENT. | | OWN S. KLINE/LAM 28SEP2000 | TE Connectivity |
| DIMENSIONS: mm | | CHK S. KLINE 28SEP2000 | |
| TOLERANCES UNLESS OTHERWISE SPECIFIED: | | APVD S. KLINE 28SEP2000 | NAME RECEPTACLE ASSEMBLY, 4 PAIR, HMZd |
| 0 PLC | ± | PRODUCT SPEC | SIZE CAGE CODE DRAWING NO |
| 1 PLC | ± | APPLICATION SPEC | A100779C=1469001 |
| 2 PLC | ± | WEIGHT | RESTRICTED TO |
| 3 PLC | ± | CUSTOMER DRAWING | SCALE 8:1 SHEET 1 OF 1 REV J |
| 4 PLC | ± | | |
| ANGLES | ± | | |
| FINISH | ± | | |

单击下面可查看定价，库存，交付和生命周期等信息

[>>TE Connectivity\(泰科\)](#)