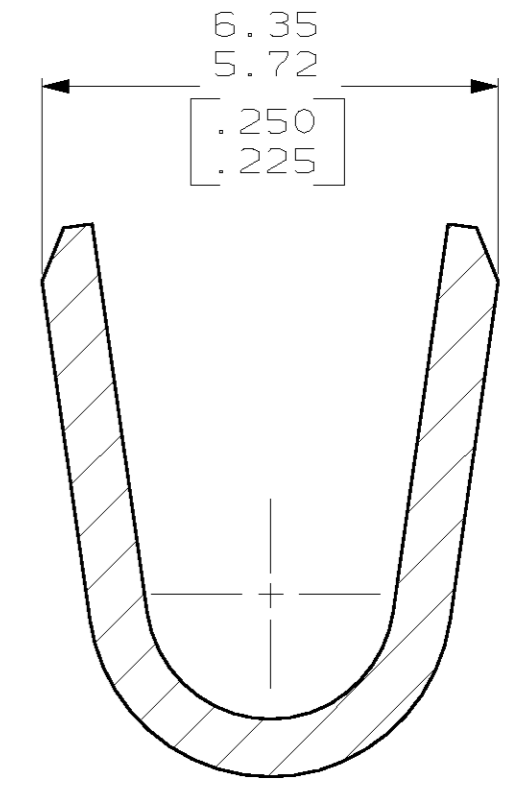
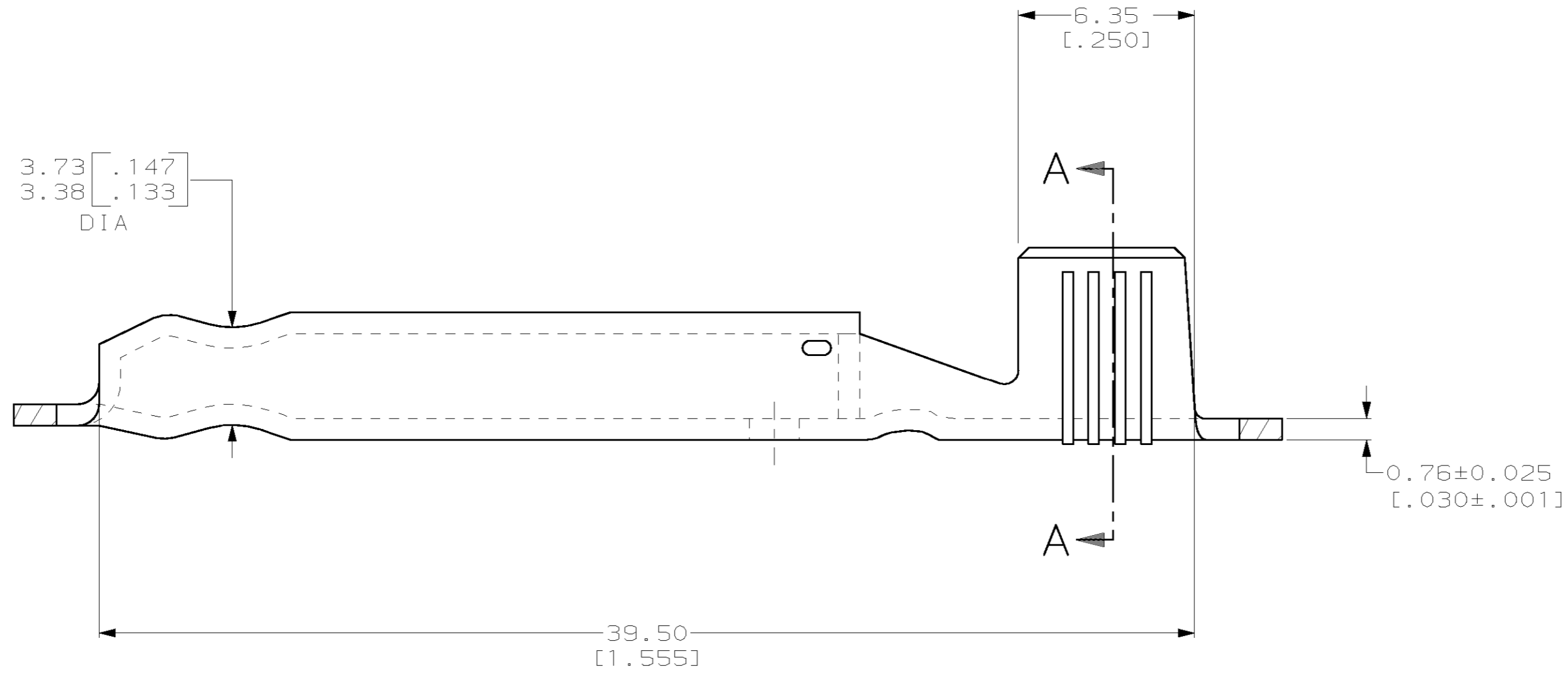
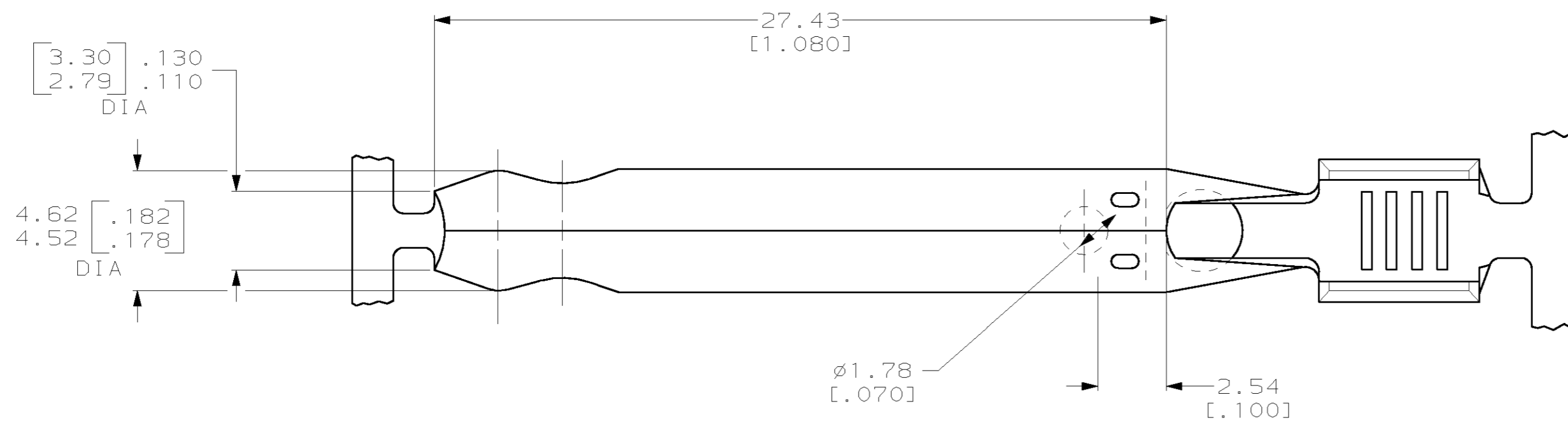


THIS DRAWING IS UNPUBLISHED. RELEASED FOR PUBLICATION .19
 (C) COPYRIGHT 19 BY AMP INCORPORATED. ALL RIGHTS RESERVED.

LOC	DIST	REVISIONS			
P	LTR	DESCRIPTION	DATE	DWN	APVD
AF	50	B	REV & REL PER 063A-0143-99	9/9/99	JR DD

1 CONTINUOUS STRIP ON REEL.



SECTION A-A
SCALE 10:1

12-8 AWG	1217142-1
WIRE RANGE	PART NUMBER

THIS DRAWING IS A CONTROLLED DOCUMENT.		DWN MICHAEL S. FEHER 04MAY1999	AMP Incorporated Harrisburg, PA 17105-3608	
DIMENSIONS: mm [INCHES]		CHK JEFF R. RUTH 05MAY1999	AMP SHUR PLUG, 4.57 [0.180] DIA	
TOLERANCES UNLESS OTHERWISE SPECIFIED:		APVD DONALD DECKER 05MAY1999		
0 PLC ±- 1 PLC ±- 2 PLC ±0.25 [.010] 3 PLC ±- 4 PLC ±- ANGLES ±-		PRODUCT SPEC -	SIZE A2	CAGE CODE 00779
MATERIAL 081 BRASS		FINISH 0.002032 [.000080] MIN TIN PLATE	APPLICATION SPEC -	DRAWING NO 1217142
		WEIGHT -	RESTRICTED TO -	SCALE 6:1
		CUSTOMER DRAWING	SHEET 1 OF 1	REV B

单击下面可查看定价，库存，交付和生命周期等信息

[>>TE Connectivity\(泰科\)](#)