

THIS DRAWING IS UNPUBLISHED.

RELEASED FOR PUBLICATION

2007

© COPYRIGHT 2007

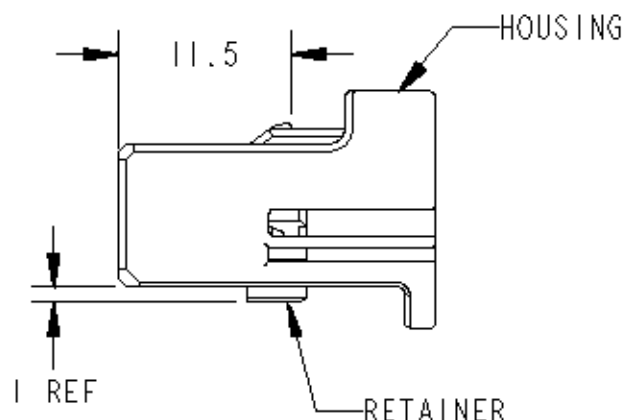
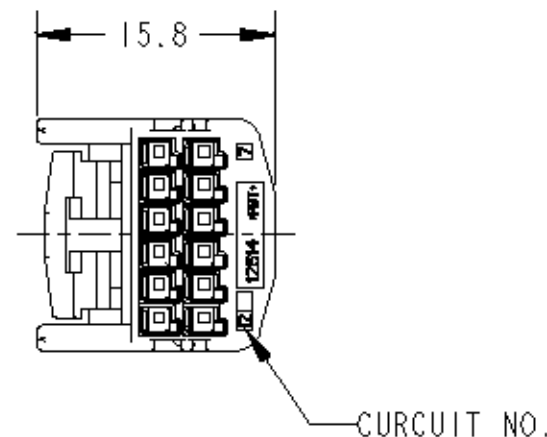
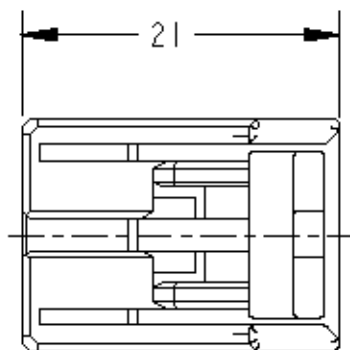
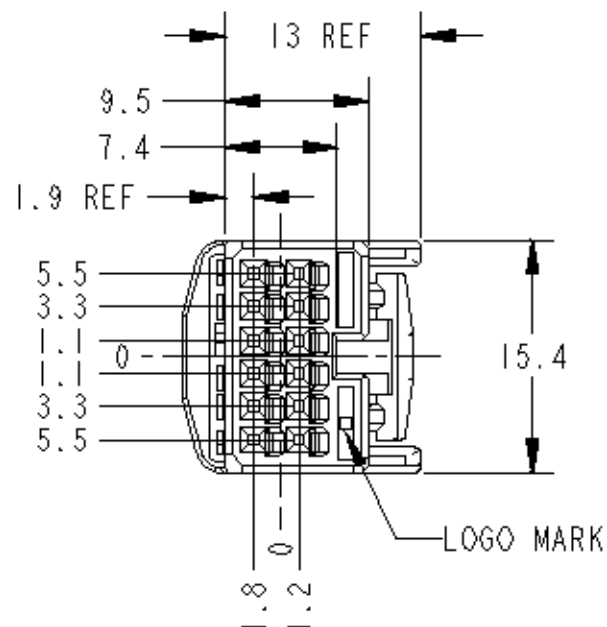
ALL RIGHTS RESERVED.

LOC  
J

DIST  
-

REVISIONS

P	LTR	DESCRIPTION	DATE	DWN	APVD
	A	RELEASED	26APR2007	YS	TH
	B	REVISED ECR-10-007504	17MAY10	SF	KB
	B1	REVISED ECR-14-005496	14APR2014	TS	KB



1. RETAINER SHOULD BE SENT TO THE PRE-ASSEMBLY.
2. INSTRUCTION SHEET NO. 411-78080.
3. PART NUMBER OF CAP HOUSING TO BE MATED: SEE TABLE-1
4. APPLIED TERMINALS: SEE TABLE-2

1. プラグハウジングのリテーナを仮停止して出荷される。
2. 取扱説明書NO. 411-78080
3. 嵌合相手型番: TABLE-1参照
4. 適用端子: TABLE-2参照

TABLE-1

CAP ASSEMBLY PART NO. キャップ 型番
1473773
1747080
1747082

TABLE-2

	TERMINAL NO. 端子型番	APPLICABLE WIRE RANGE 適用電線
SIGNAL 0.64111	TIN	1674311-1
	SELECTIVE GOLD	1674311-2
		AVSS/CAVS/CAVUS/AVSSH-f 0.3~0.5mm <sup>2</sup>

PACKING STYLE 梱包形態	COLOR	PART NUMBER
PAPER BOX ダンボール	BLACK	1747375-2
PLASTIC BAG ビニール袋	NATURAL	1747375-1
OUTER 外装	INNER 内装	

THIS DRAWING IS A CONTROLLED DOCUMENT.

DIMENSIONS: 単位: mm

TOLERANCES UNLESS OTHERWISE SPECIFIED:  
一般公差 ±0.3  
0-PLC ±  
1-PLC ±0.1  
2-PLC ±0.01  
3-PLC ±0.001  
4-PLC ±0.0001  
ANGLES ±3'00"

MATERIAL: PBT  
FINISH: 仕 見 TABLE

THIS DRAWING IS A CONTROLLED DOCUMENT.

DWN: Y. SHINDO 26APR2007  
CHK: T. HAYASHI 26APR2007  
APVD: H. YAMAGAMI 26APR2007

NAME: 0.64111 SERIES 12 POSITION PLUG HOUSING ASSY KEYING

PRODUCT SPEC: 108-5931  
APPLICATION SPEC: 114-5329

WEIGHT: 2.3g

CUSTOMER DRAWING

SCALE: 2:1

SHEET 1 OF 1

REV: B1

RESTRICTED TO: -

单击下面可查看定价，库存，交付和生命周期等信息

[>>TE Connectivity\(泰科\)](#)