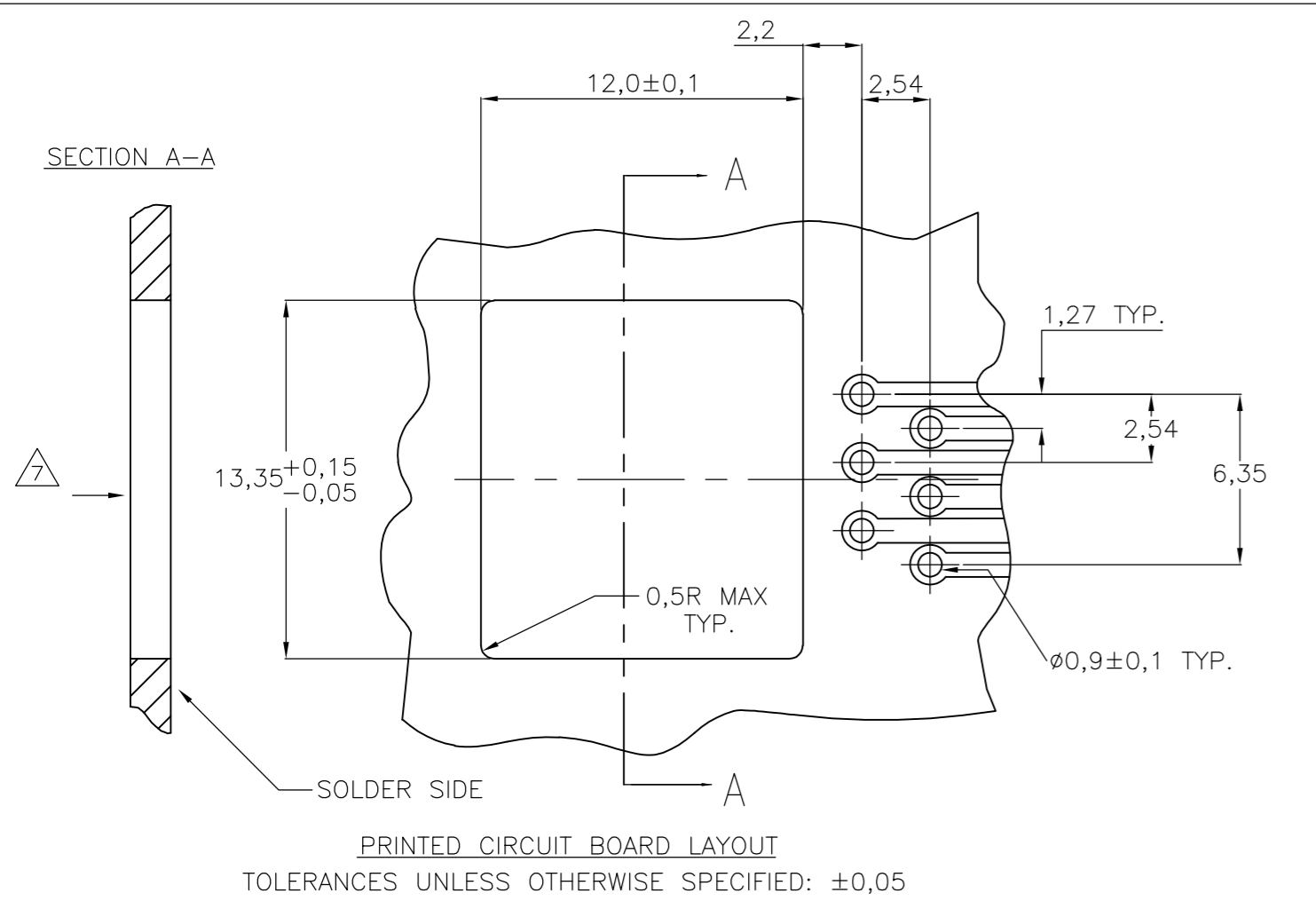
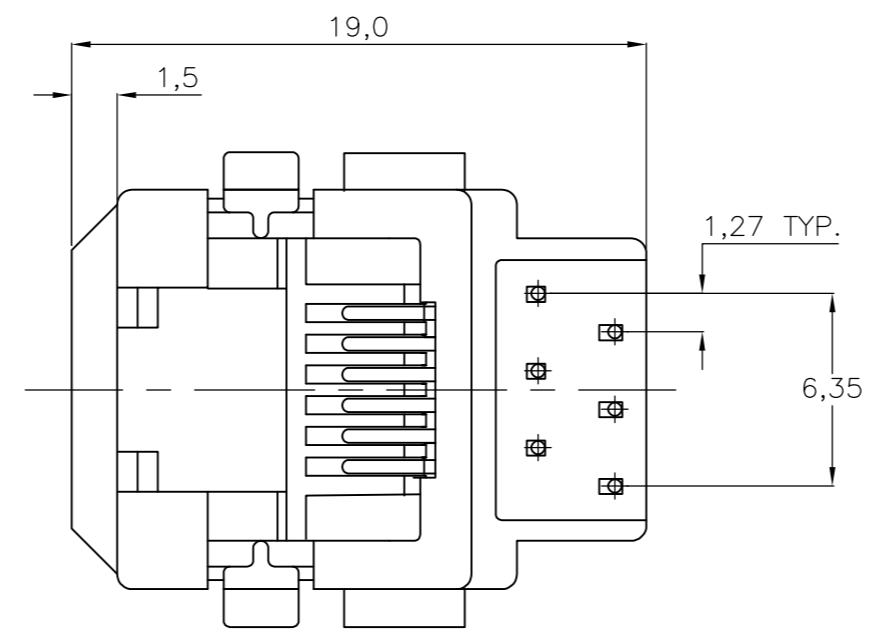
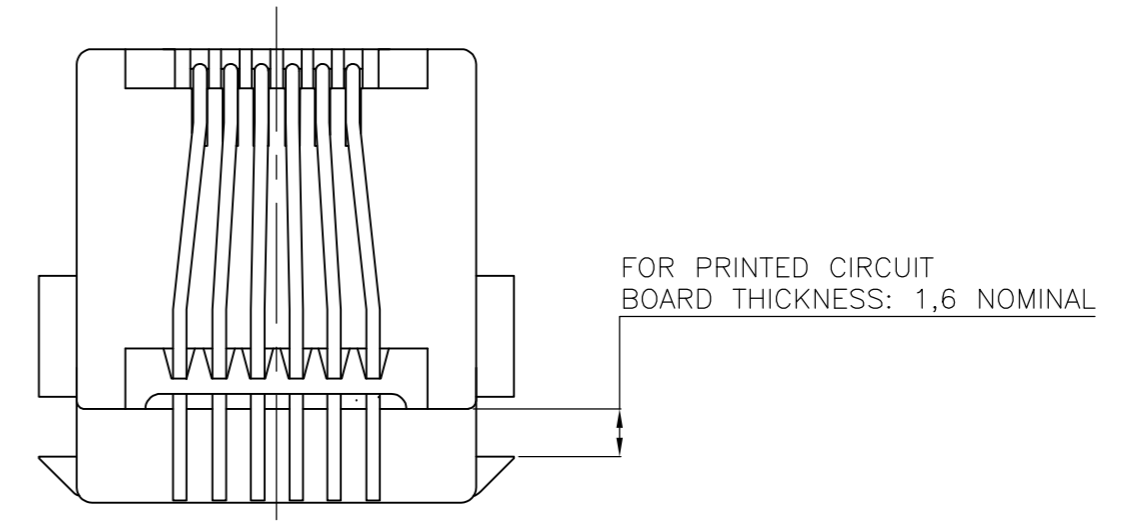
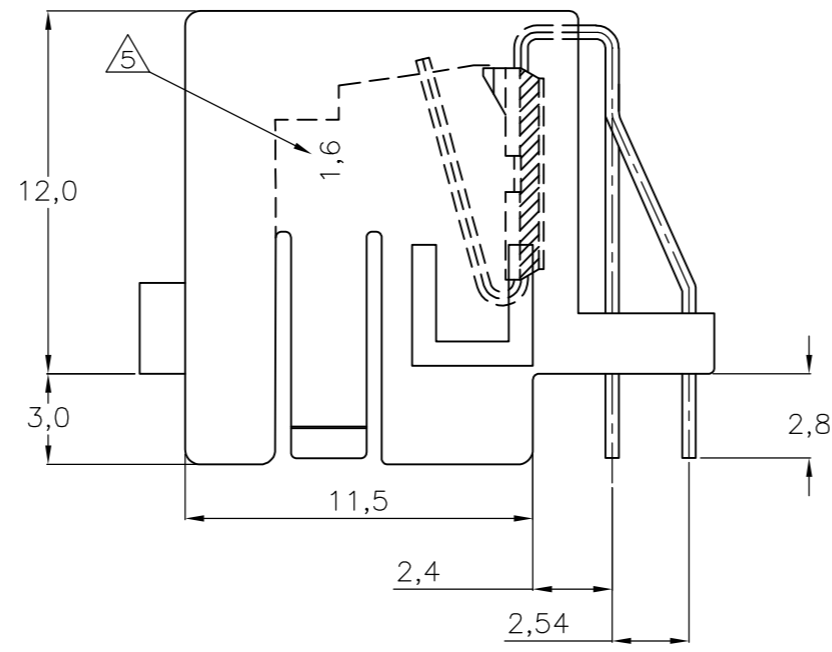
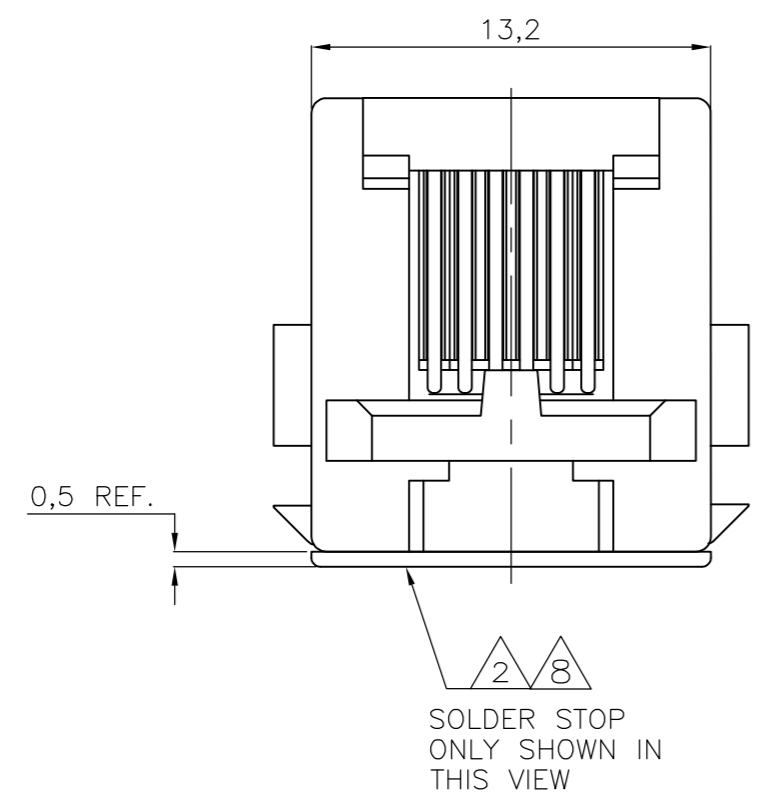
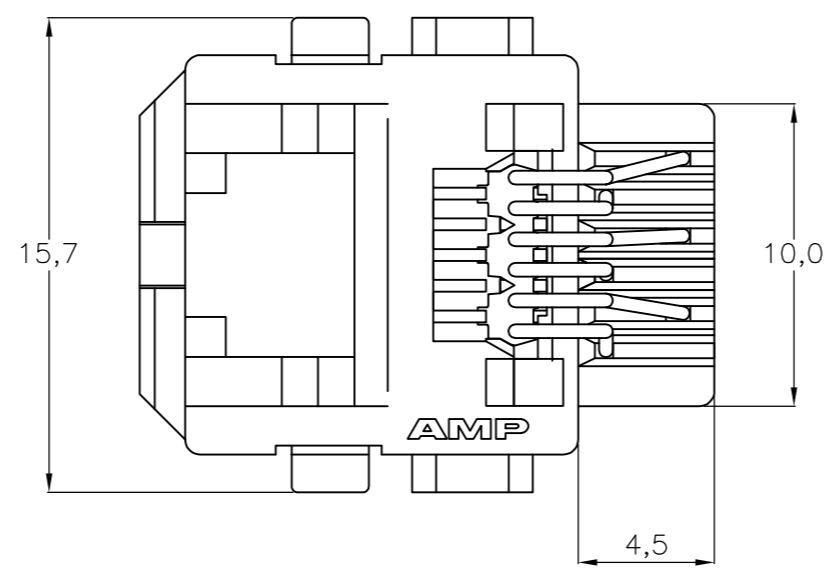


THIS DRAWING IS UNPUBLISHED. RELEASED FOR PUBLICATION
 © COPYRIGHT - By - ALL RIGHTS RESERVED.

LOC	DIST	REVISIONS					
		P	LTR	DESCRIPTION	DATE	DWN	APVD
H	-	R		EH-1477-98	14-09-98	EVE	-
		R1		ECR-08-012368	06-11-08	AEG	WRV
		R2		ECR-10-022530	07JAN11	KK	HMR

NOTES:

1. TOLERANCES UNLESS OTHERWISE SPECIFIED: $\pm 0,15$.
2. MODULAR JACK P.N. 216446-1, 216446-2, 3-216446-1 AND 3-216446-2 ARE DELIVERED WITH PLASTIC SOLDER STOP INSTALLED, TO PREVENT SOLDER ENTERING THE JACK. REMOVE SOLDER STOP AFTER SOLDERING.
3. FOR PERFORMANCE REQUIREMENTS SEE TE PRODUCT SPECIFICATION 108-19064.
4. FOR APPLICATION REQUIREMENTS SEE TE APPLICATION SPECIFICATION 114-19019.
5. MOLDED-IN CHARACTER "1,6" MEANS FOR 1,6mm PRINT THICKNESS.
6. FOR PACKAGING SEE SHEET 2.
7. PREFERRED DIRECTION FOR STAMPING OF HOLE TO OBTAIN A BROKEN EDGE AT JACK ENTRY SIDE.
8. TRUE POSITIONING OF THE SOLDER TINES MAY BE AFFECTED BY BULK PACKAGING. THE SOLDER STOP COULD BE LOOSENED DURING TRANSPORT.



	DESCRIPTION	FINISH	MATERIAL	PARTNUMBER	
⚠	BULK PACKAGED 500 pcs/BOX	6 POS./4 CONTACTS WITH SOLDER STOP	CONTACTS: 1,25µm MIN. GOLD OVER	HOUSING: 20% G.F. NYLON	3-216446-2
⚠	BULK PACKAGED 1000 pcs/BOX	6 POS./6 CONTACTS WITH SOLDER STOP	1,25µm MIN. NICKEL IN CONTACT AREA	COLOR: BLACK UL 94-HB	3-216446-1
OBSELETE ⚠	700 pcs ON A .60 cm DIA REEL	6 POS./4 CONTACTS WITH SOLDER STOP	2µm MIN. TIN LEAD OVER 1,25µm MIN. NICKEL ON SOLDER TINES.	CONTACTS: PHOS. BRONZE	-216446-2-
⚠	700 pcs ON A Ø60 cm DIA. REEL	6 POS./6 CONTACTS WITH SOLDER STOP			216446-1

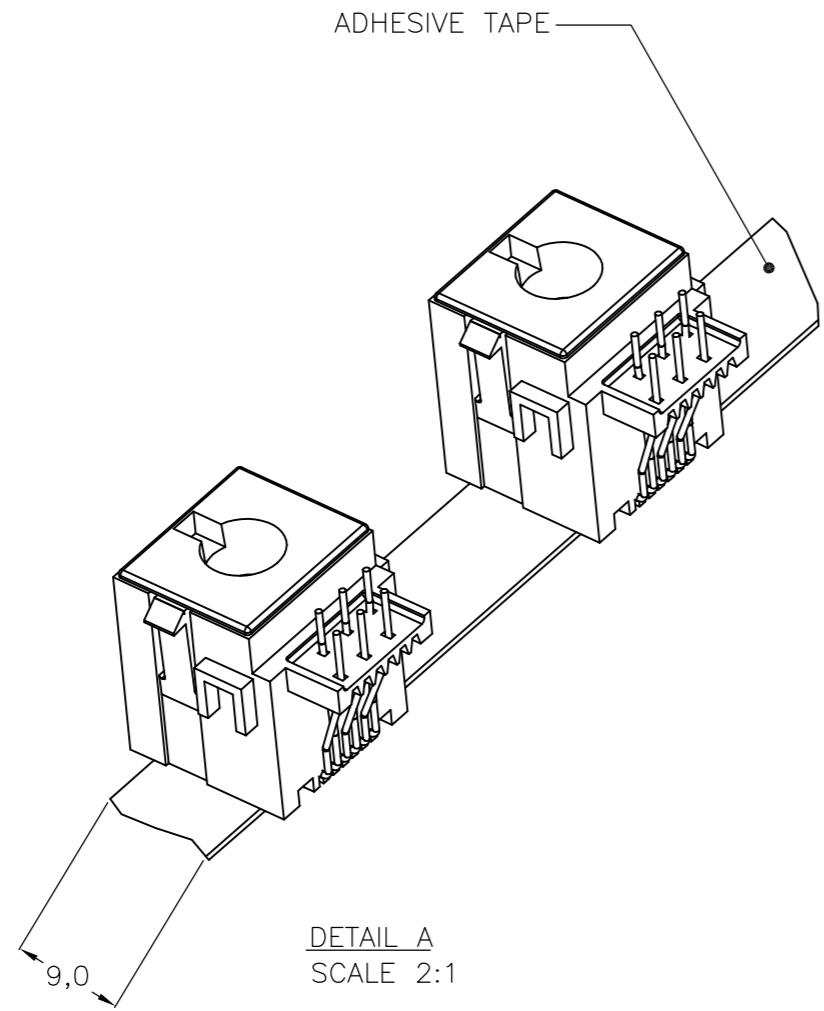
THIS DRAWING IS A CONTROLLED DOCUMENT.

DIMENSIONS: mm	TOLERANCES UNLESS OTHERWISE SPECIFIED:	DWN M.V.ESSEN	29NOV95	TE TE Connectivity			
		CHK W.BRUMMANS					
		APVD C.V.TILBURG					
		PRODUCT SPEC					
MATERIAL	FINISH	WEIGHT	SCALE	SIZE	CAGE CODE	DRAWING NO	RESTRICTED TO
-	-	-	A2	00779	C=216446		-
CUSTOMER DRAWING				SCALE	SHEET	REV	
				NTS	1 of 2	R2	

216446

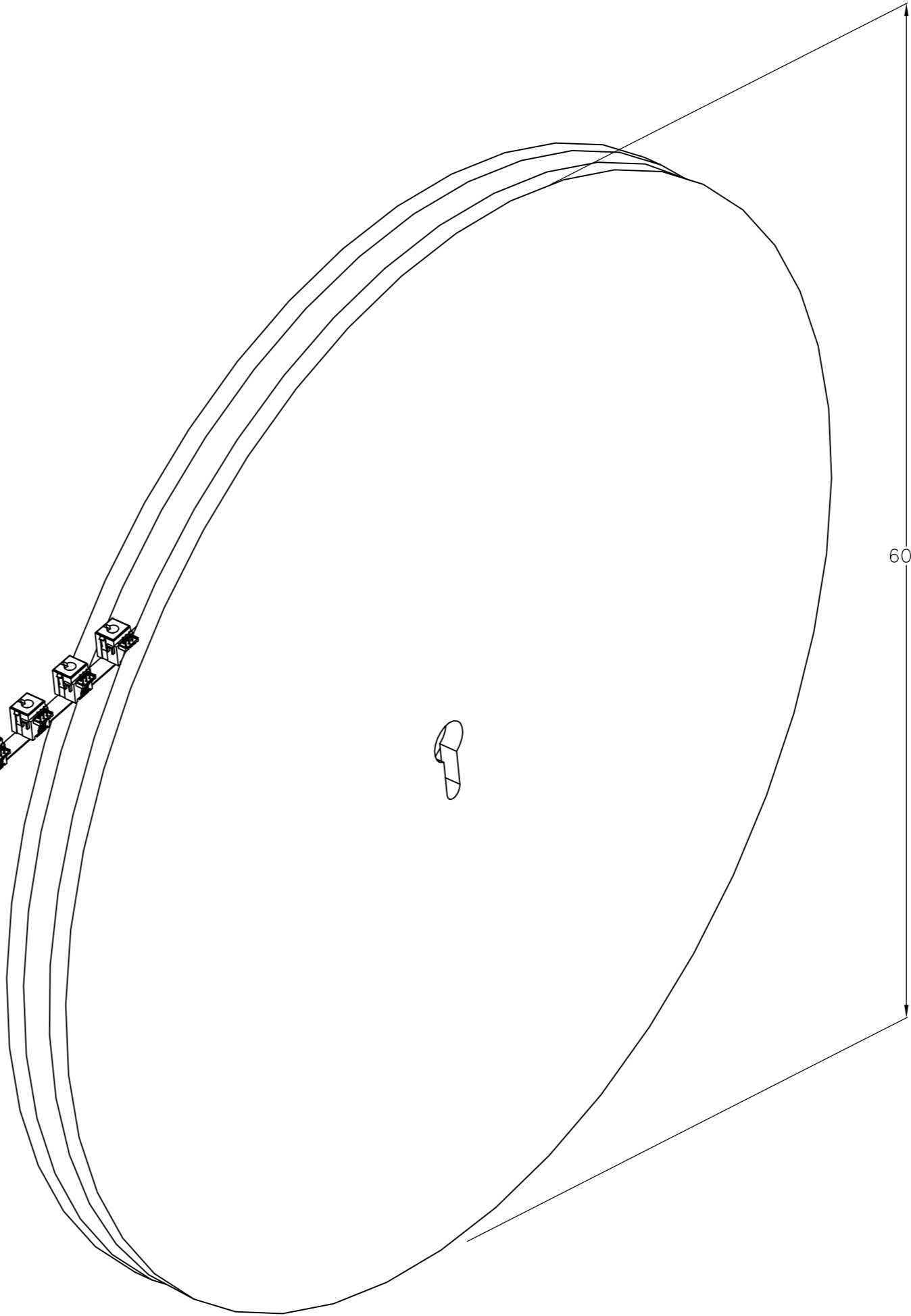
THIS DRAWING IS UNPUBLISHED. RELEASED FOR PUBLICATION
 © COPYRIGHT - By - ALL RIGHTS RESERVED.

LOC	DIST	REVISIONS					
H	-	P	LTR	DESCRIPTION	DATE	DWN	APVD
		-	-	SEE SHEET 1	-	-	-



SEE DETAIL A

REEL-OFF DIRECTION



THIS DRAWING IS A CONTROLLED DOCUMENT.		DWN	19DEC96					
DIMENSIONS: mm		CHK	F.V.EIJK			NAME MODULAR JACK, 6 POS., BOTTOM ENTRY VERSION PACKAGING		
TOLERANCES UNLESS OTHERWISE SPECIFIED:		APVD	W.BRUMMANS					
0 PLC ± - 1 PLC ± - 2 PLC ± - 3 PLC ± - 4 PLC ± - ANGLES ± -		PRODUCT SPEC	R.SMEETS					
MATERIAL		FINISH	WEIGHT	-	SIZE	CAGE CODE	DRAWING NO	RESTRICTED TO
-		-	-		A2	00779	C=216446	-
CUSTOMER DRAWING					SCALE	NTS	SHEET	2 OF 2
					REV	R2		

单击下面可查看定价，库存，交付和生命周期等信息

[>>TE Connectivity\(泰科\)](#)