

THIS DRAWING IS UNPUBLISHED. RELEASED FOR PUBLICATION
 © COPYRIGHT BY TYCO ELECTRONICS CORPORATION. ALL INTERNATIONAL RIGHTS RESERVED.

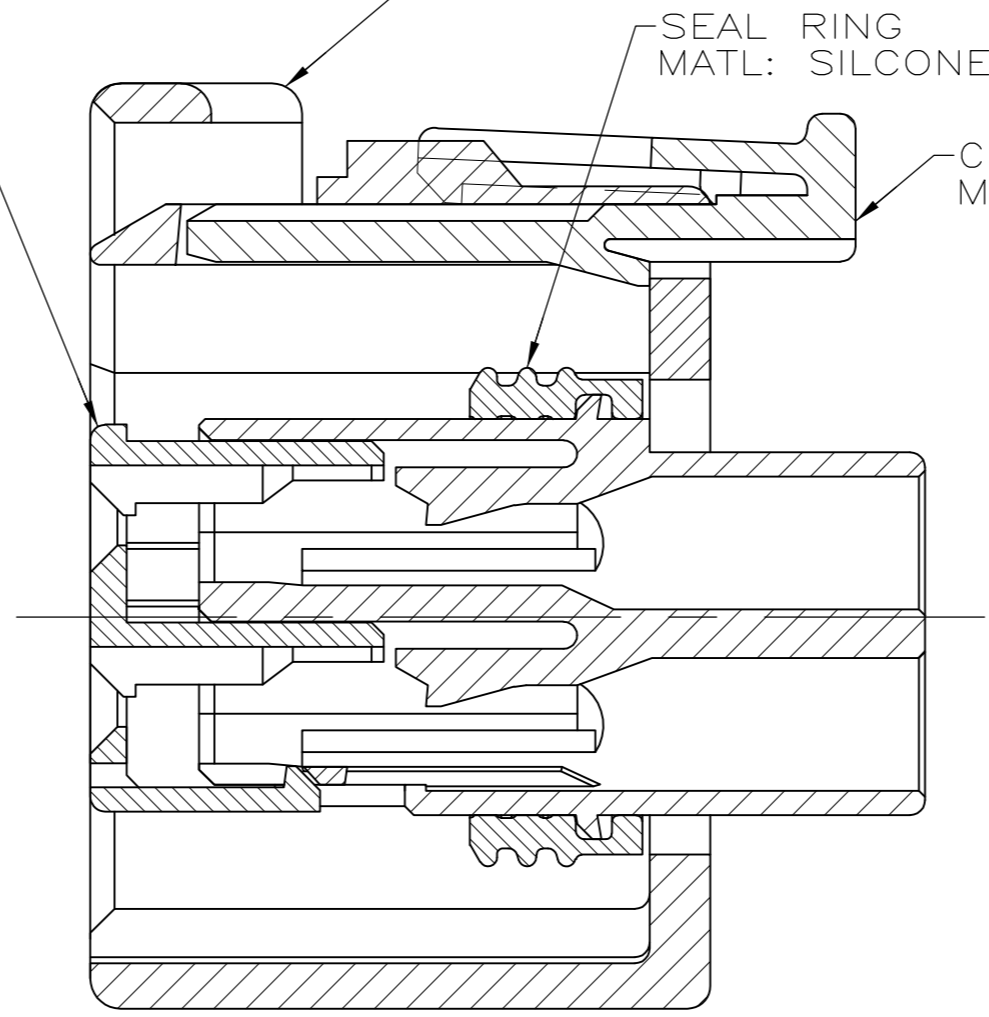
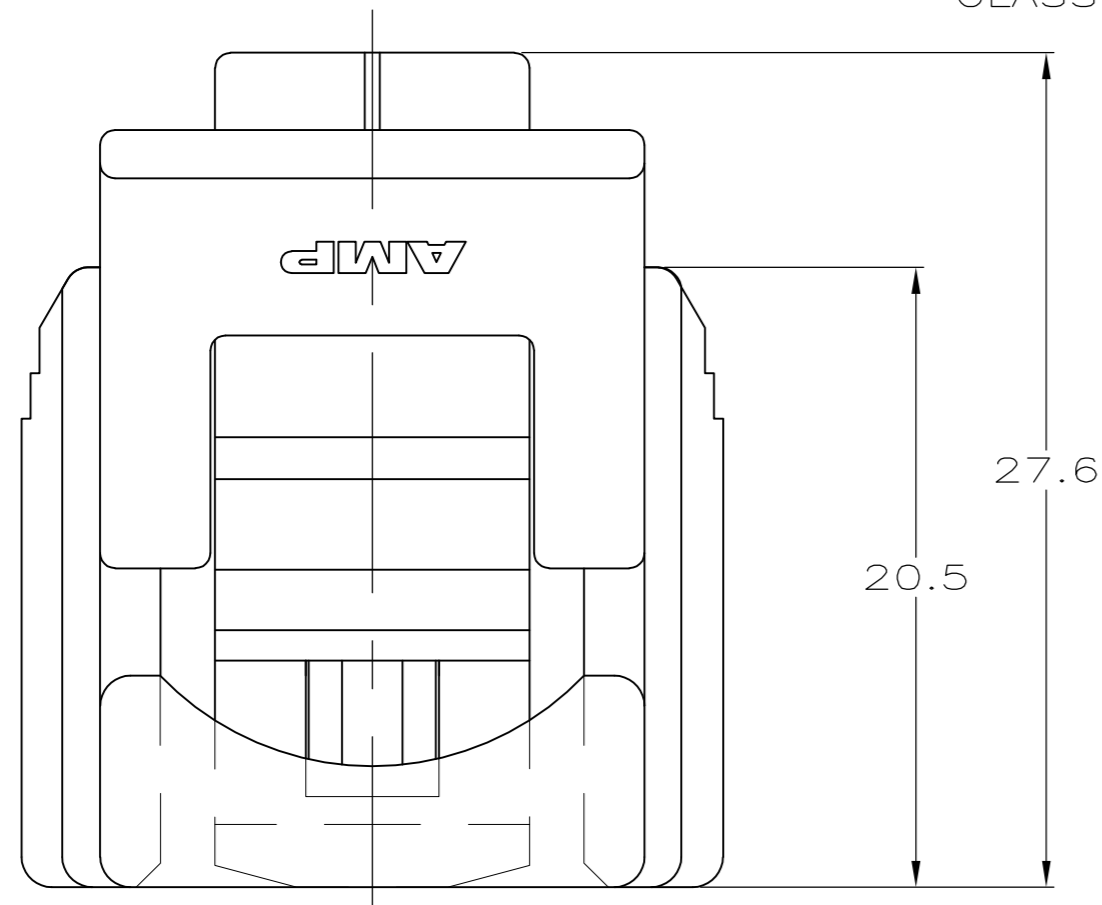
LOC	DIST	REVISIONS					
GE	00	P	LTR	DESCRIPTION	DATE	DWN	APVD
		H		REVISED PER ECO-09-008507	09APR2009	DD	MB

DBL LOCK PLATE
 MATL: PBT, 15%
 GLASS FILLED

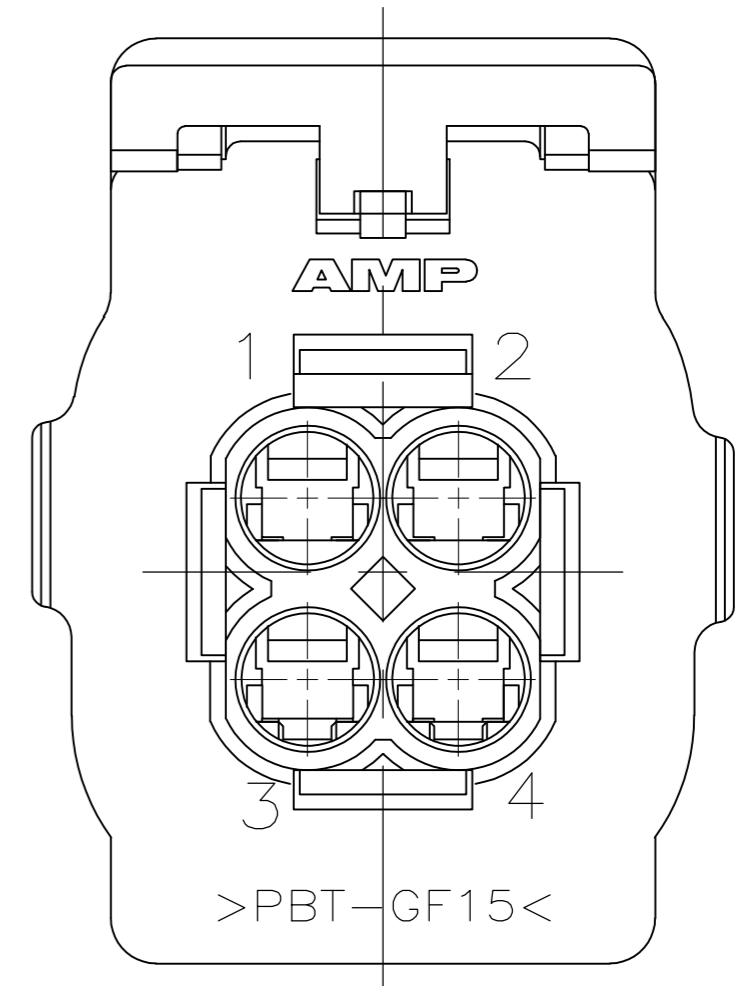
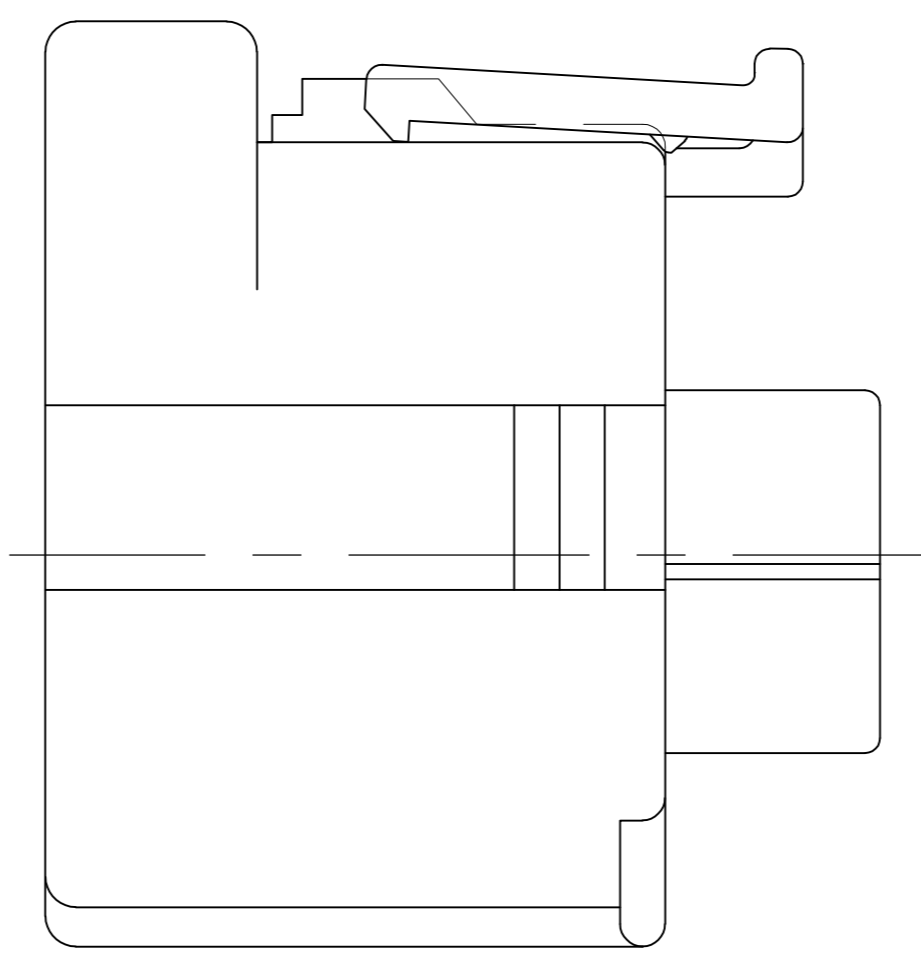
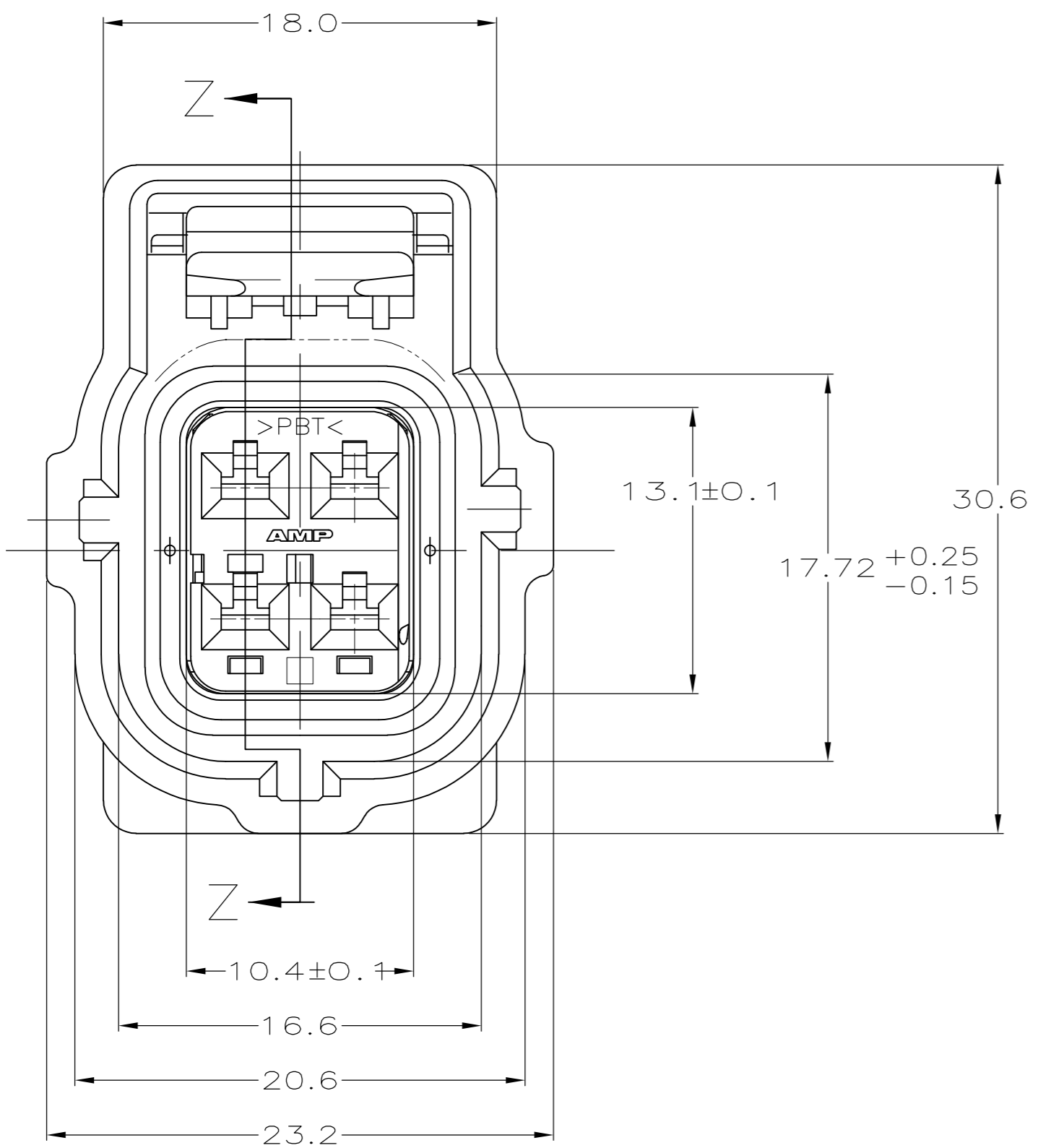
PLUG HOUSING
 MAT'L: PBT, 15% GLASS FILLED

SEAL RING
 MATL: SILICONE RUBBER

CPA
 MATL: PBT



SECTION Z-Z
 SCALE 4:1



BLACK	184344-1
PLUG COLOR	PART NUMBER

THIS DRAWING IS A CONTROLLED DOCUMENT.		DWN P. YEAGER 03AUG99	Tyco Electronics Corporation Harrisburg, PA 17105-3608	
DIMENSIONS: mm		CHK G. INHOFFER 03AUG99	NAME	
TOLERANCES UNLESS OTHERWISE SPECIFIED: 0 PLC ± - 1 PLC ± 0.3 2 PLC ± 0.15 3 PLC ± - 4 PLC ± - ANGLES ± -		APVD G. INHOFFER 03AUG99	PRODUCT SPEC	
MATERIAL		APPLICATION SPEC	2 X 2 PLG ASY KEY A-C3 W/CPA	
FINISH		WEIGHT	SIZE A2	RESTRICTED TO
		CUSTOMER DRAWING	CAGE CODE 00779	DRAWING NO 184344
			SCALE 4:1	SHEET 1 of 1
			REV H	

单击下面可查看定价，库存，交付和生命周期等信息

[>>TE Connectivity\(泰科\)](#)