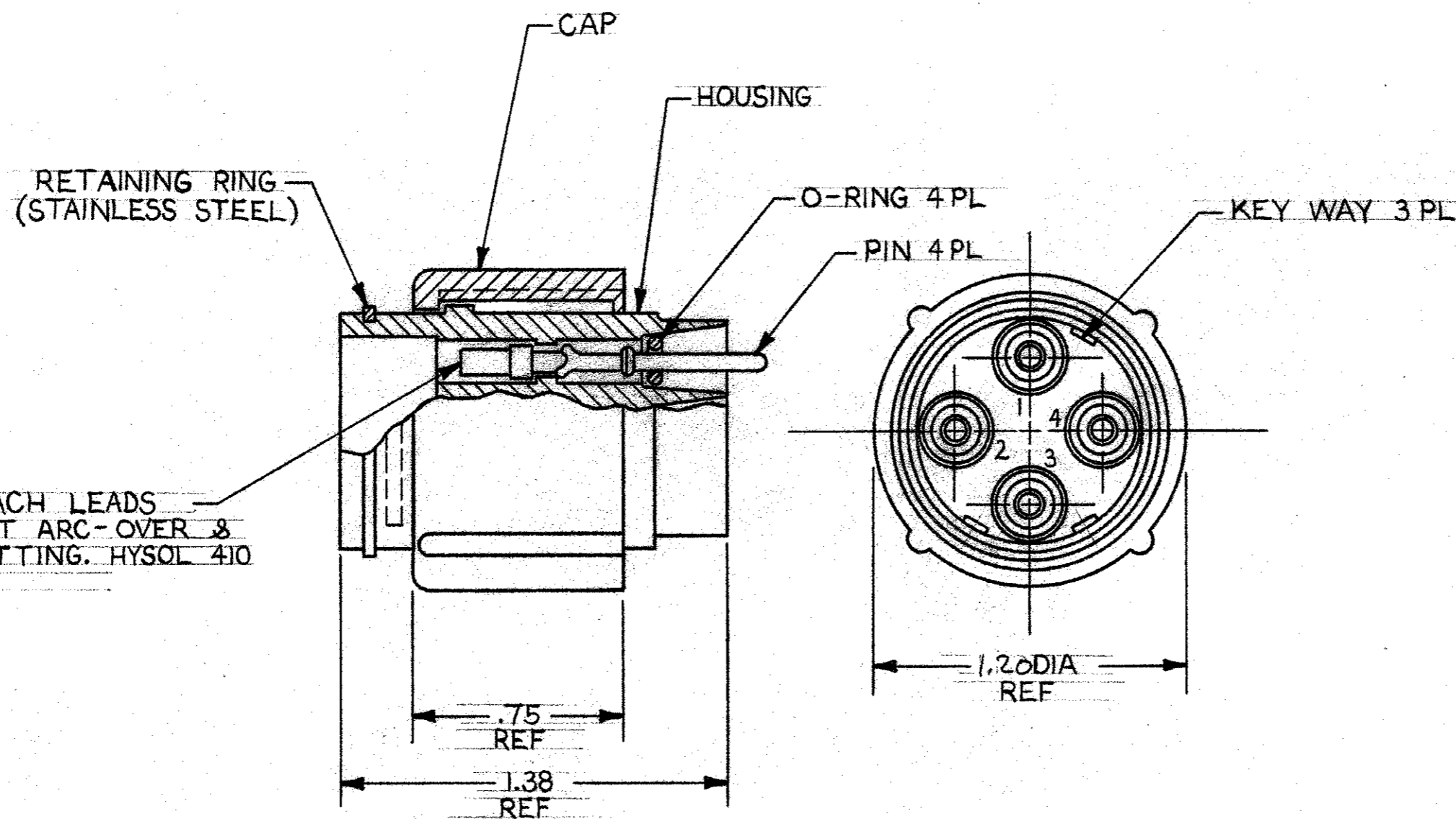


THIS DRAWING IS UNPUBLISHED. RELEASED FOR PUBLICATION, 19
 © COPYRIGHT 19 BY AMP INCORPORATED, HARRISBURG, PA. ALL INTERNATIONAL RIGHTS RESERVED. AMP PRODUCTS MAY BE COVERED BY U.S. AND FOREIGN PATENTS AND/OR PATENTS PENDING.

REVISIONS						
P	F	ZONE	LTR	DESCRIPTION	DATE	APPROVED
0			O	RELEASE	12-14-84	MB
			A	REV PER OH14-120-03	CT 11-04	CT



- MARK PER MIL-STD-130.
- #16 GA PINS GOLD PLATED PER MIL-G-45204 TYPE II .00005 THK MIN.
- PLUG & PINS SHIPPED SEPARATELY.
- TO REMOVE PINS USE EXTRACTION TOOL NO 860751-1.

WIRE SIZE RANGE	HAND TOOL	AMP P/N
16, 18	45098	868374-1

UNLESS OTHERWISE SPECIFIED DIMENSIONS ARE IN INCHES. TOLERANCES ON: DECIMALS ± _____ ANGLES ± _____		CONTRACT NO		PART NO	
MATERIAL		DR R. Pauch 12-14-84		AMP INCORPORATED Harrisburg, Pa. 17105	
FINISH		CHK		NAME PLUG ASSY 4 PIN	
		APPD M. Gardner 12-14-84		DRAWING NO 868374	
		DSGN APPD		FSCM NO 00779	
		OTHER APPD		SCALE NTS	
				SHEET	

单击下面可查看定价，库存，交付和生命周期等信息

[>>TE Connectivity\(泰科\)](#)