

4

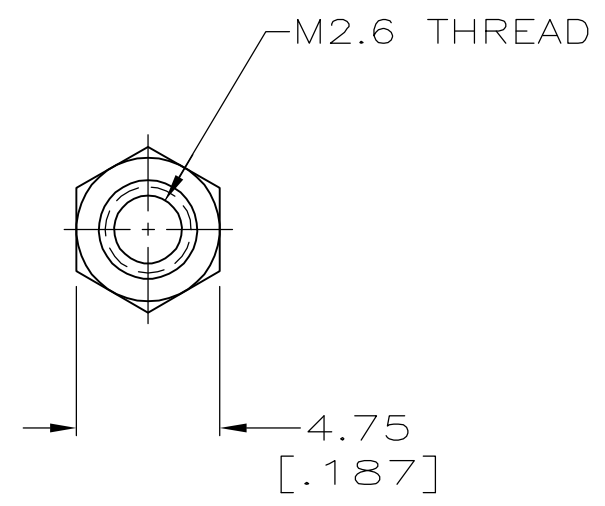
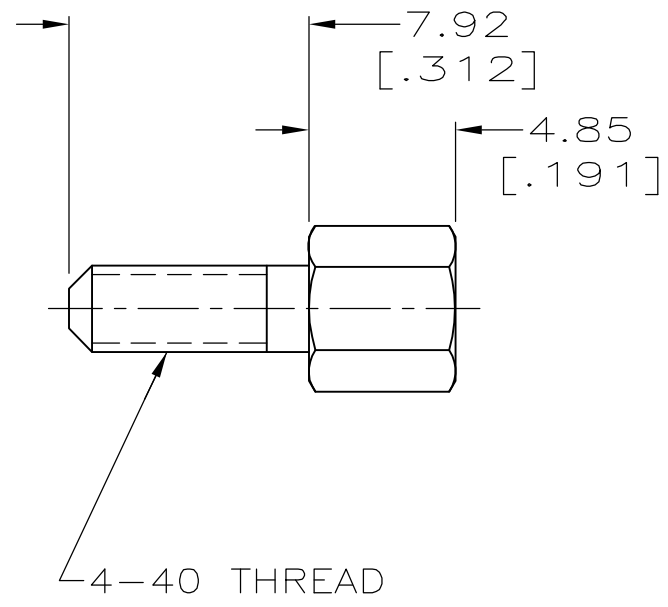
3

2

1

THIS DRAWING IS UNPUBLISHED. RELEASED FOR PUBLICATION  
 © COPYRIGHT - BY TYCO ELECTRONICS CORPORATION. ALL RIGHTS RESERVED.

LOC	DIST	REVISIONS					
GP	00	P	LTR	DESCRIPTION	DATE	DWN	APVD
			0	RELEASED PER EC OS13-0207-05	30JUN05	RR	JG



1 ZINC PLATED .000200-.000400 THICK,  
 CLEAR CHROMATE COATING.

5749765-3  
 PART NO

THIS DRAWING IS A CONTROLLED DOCUMENT.		DWN	R.RICHARDSON	30JUN05	Tyco Electronics Corporation Harrisburg, Pa 17105-3608							
DIMENSIONS: INCHES		CHK	C.ROHDE	30JUUN05								
		TOLERANCES UNLESS OTHERWISE SPECIFIED:		APVD	M.WALMSLEY	30JUN05	NAME	SCREWLOCK, M2.6 FEMALE, AMPLIMITE				
0 PLC ± - 1 PLC ± - 2 PLC ± 0.13 [.005] 3 PLC ± - 4 PLC ± - ANGLES ± -		FINISH		PRODUCT SPEC		APPLICATION SPEC		SIZE	CAGE CODE	DRAWING NO	RESTRICTED TO	
MATERIAL		CARBON STEEL		WEIGHT		-		A3	00779	C-5749765	-	
		1		CUSTOMER DRAWING		SCALE		4:1	SHEET	1 OF 1	REV	0

单击下面可查看定价，库存，交付和生命周期等信息

[>>TE Connectivity\(泰科\)](#)