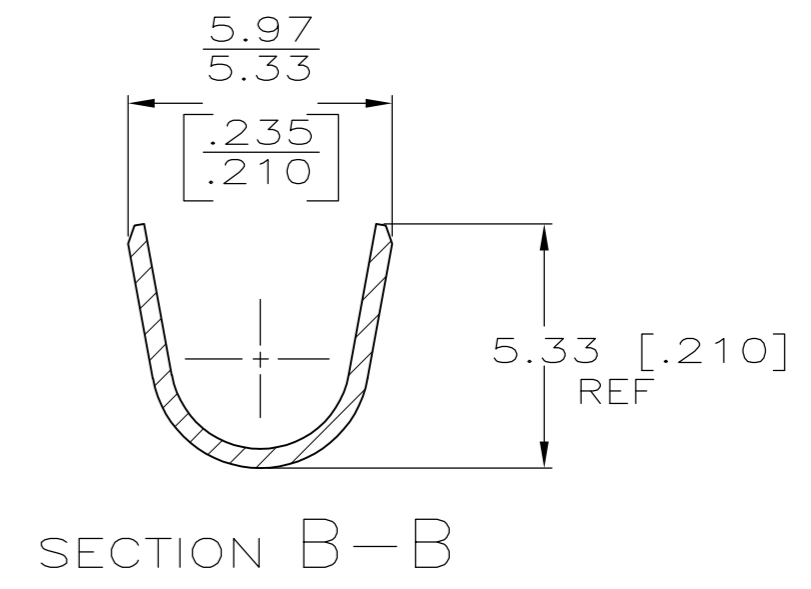
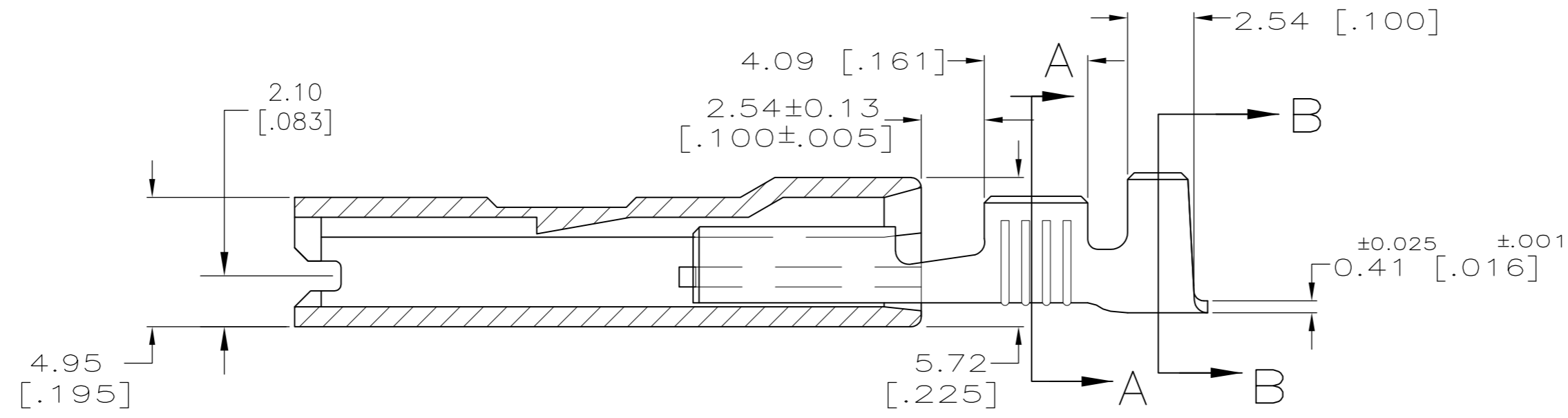
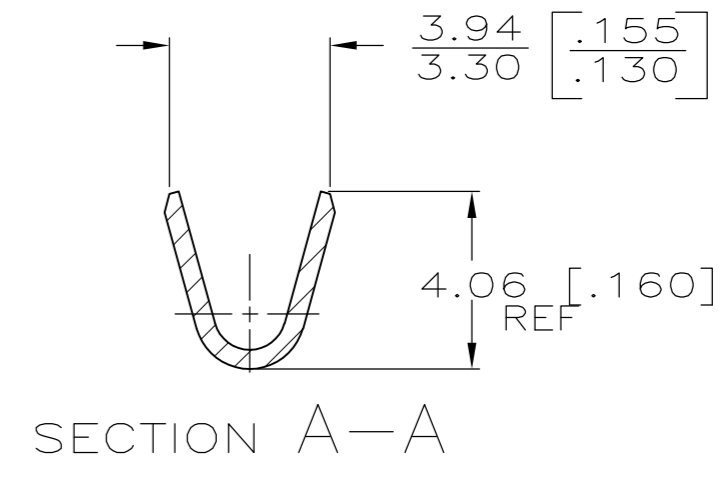
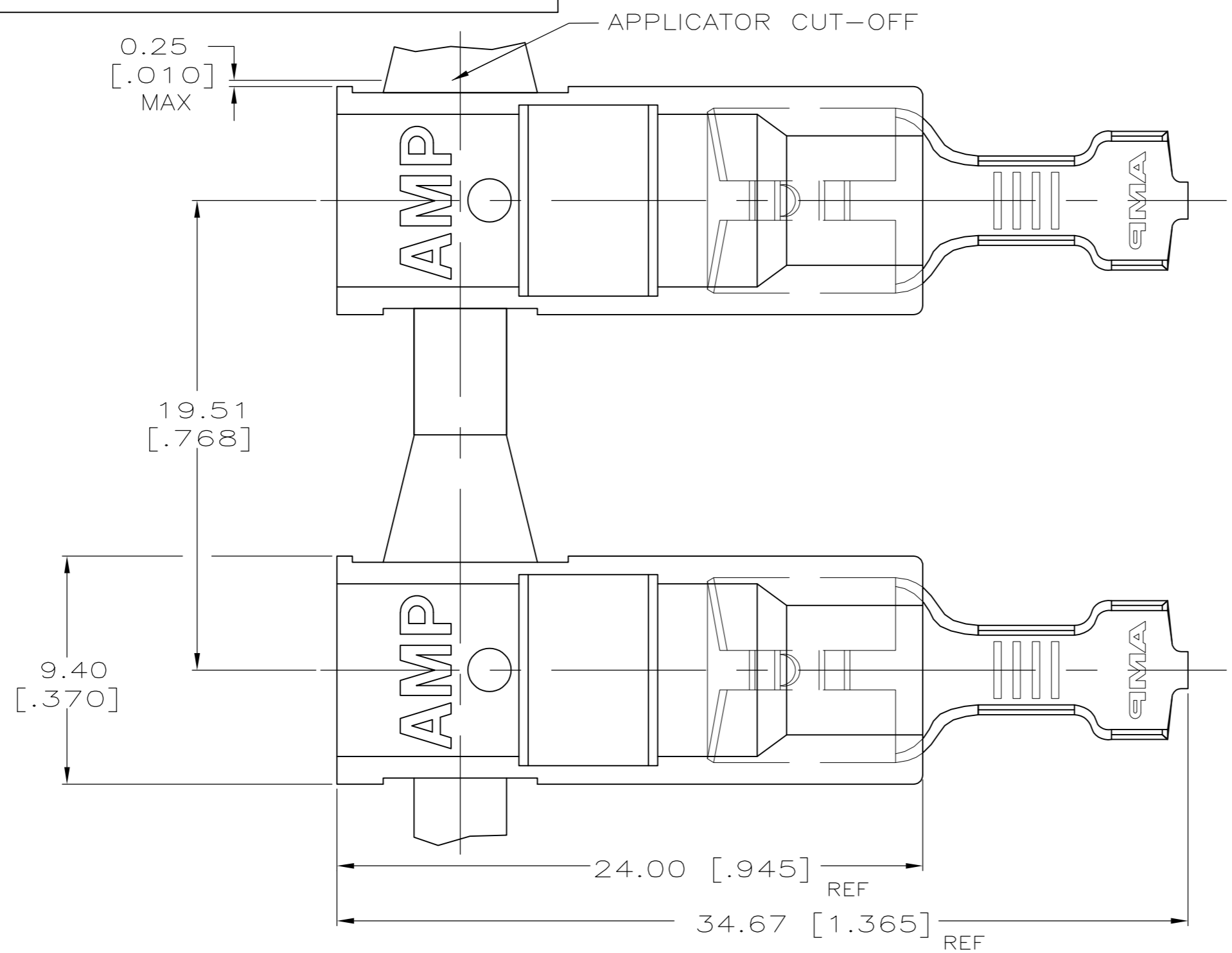


THIS DRAWING IS UNPUBLISHED. RELEASED FOR PUBLICATION
 © COPYRIGHT BY TYCO ELECTRONICS CORPORATION. ALL INTERNATIONAL RIGHTS RESERVED.

LOC	DIST	REVISIONS			
P	LTR	DESCRIPTION	DATE	DWN	APVD
AF	50	A1	REVISED PER ECR-09-002823	12FEB09	HMR GP



- 1 PREMIER FASTON TERMINALS, BASE P/N 42219 ARE USED FOR -1.
- 2 NICKEL PLATE 0.00381 [.000150] MIN
- 3 MATERIAL: HOUSING - V0, 6/6 NYLON
TERMINAL - SEE TABLE
- 4 FINISH: HOUSING - NATURAL(WHITE)
TERMINAL - SEE TABLE.

#2 HD STEEL	2 NICKEL	2.79-4.32 [.110-.170] DIA	0.8-2.0 mm ² [18-14]	0.813 [.032]	1969207-1
TERMINAL MATERIAL	TERMINAL FINISH	INSULATION RANGE	WIRE SIZE	MATING TAB THK ±0.025 [±.001]	PART NO.

THIS DRAWING IS A CONTROLLED DOCUMENT.

DIMENSIONS: INCHES	TOLERANCES UNLESS OTHERWISE SPECIFIED:	DWN RAGHAVENDRA 27JUN2008	Tyco Electronics Corporation Harrisburg, PA 17105-3608
	0 PLC ± - 1 PLC ± - 2 PLC ± - 3 PLC ± 0.25 [.010] 4 PLC ± - ANGLES ± -	CHK PORTA GARY 27JUN2008	
		APVD PORTA GARY 27JUN2008	
		PRODUCT SPEC 108-1285	
MATERIAL 3	FINISH 4	APPLICATION SPEC 114-2124	NAME
CUSTOMER DRAWING		WEIGHT -	SIZE A2 CAGE CODE 00779 DRAWING NO. C=1969207 RESTRICTED TO - SCALE 5:1 SHEET 1 of 1 REV A1

单击下面可查看定价，库存，交付和生命周期等信息

[>>TE Connectivity\(泰科\)](#)