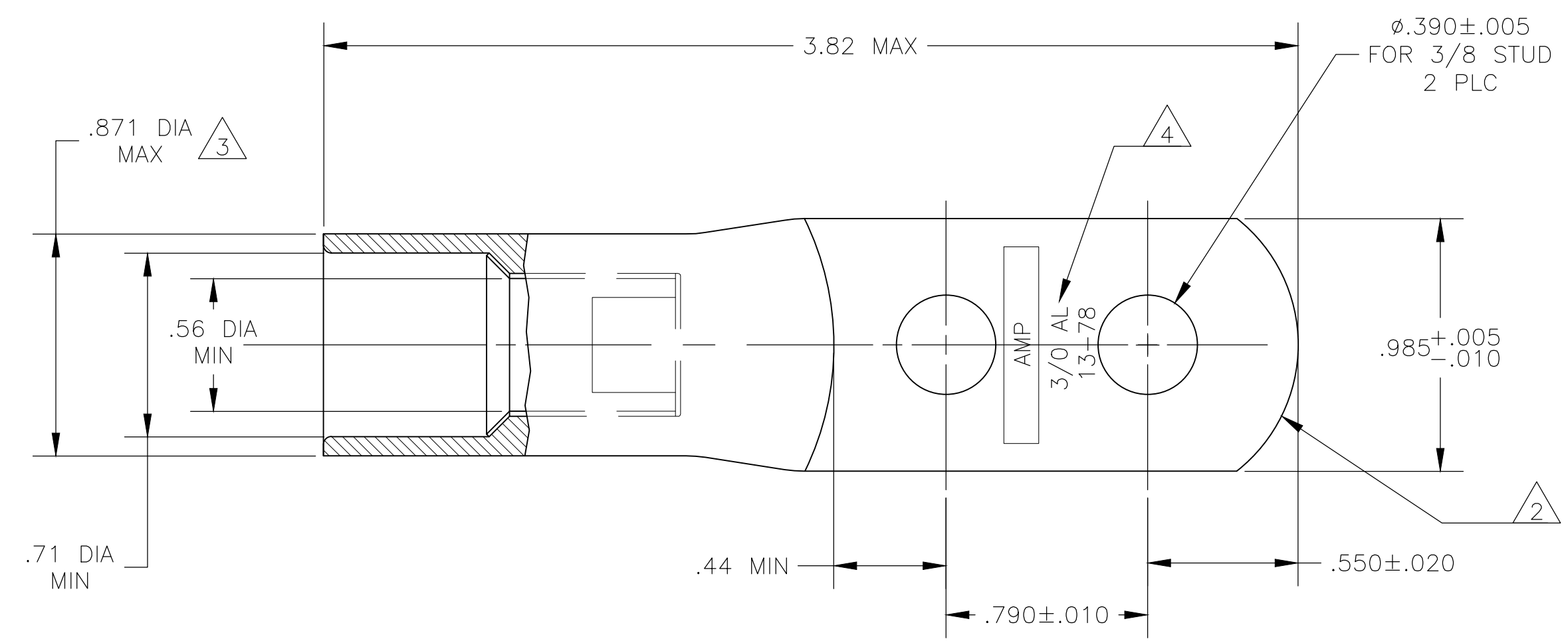
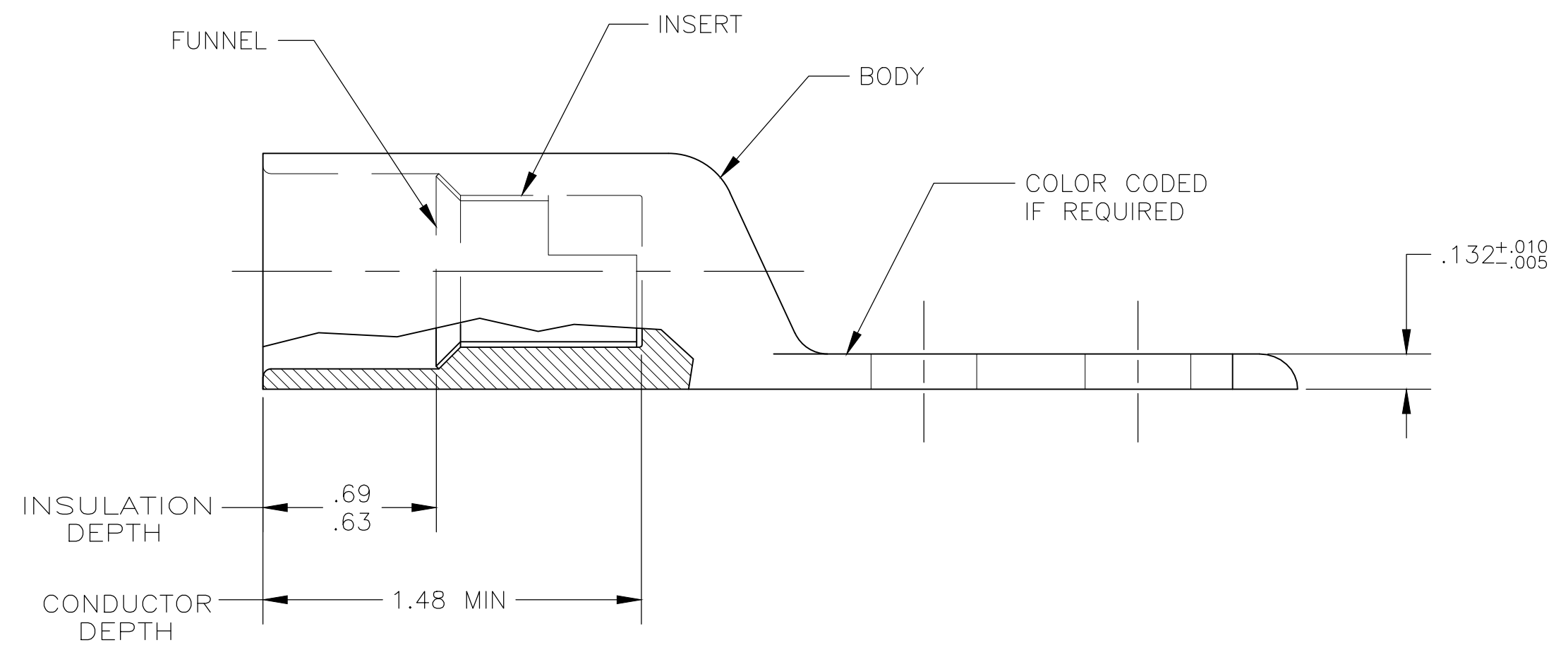


LOC	DIST	REVISIONS			
P	LTR	DESCRIPTION	DATE	DWN	APVD
G	86				
	3	REVISED PER ECO-13-018297	26NOV13	MGM	CT



- 1 WIRE INSULATION: .520-.633 DIA
- 2 THE TONGUE RADIUS FEATURE IS NOT A TOOLING CONTROLLED DIMENSION AND MAY NOT BE A TRUE RADIUS.
- 3 FLASH PERMITTED $\pm .020$
- 4 STAMP "AMP 3/0 AL 13-78" SIZE AND LOCATION APPROX AS SHOWN SEE TABLE FOR QUALIFICATION PORTION OF STAMP
 U = UNQUALIFIED
 P = PRODUCTION (IMPACT PART)
- 5 PRELIMINARY - NOT FOR PRODUCTION



-	PRODUCTION AND QUALIFIED	P AMP	INSERT & FUNNEL: BRASS MIL-C-50 NICKEL PL QQ-N-290 .000300 AVG THK	5 696963-2
RED STRIPE	PRODUCTION AND UNQUALIFIED	P AMP U	BODY: COPPER ASTM-B187 ANNEALED TIN PL PER ASTM B-545 .000150 MIN THK	5 696963-1
COLOR CODE	QUALIFICATION DESCRIPTION 4	QUALIFICATION STAMP 4	MATERIAL & FINISH	PART NO.

THIS DRAWING IS A CONTROLLED DOCUMENT.		DWN	JR RUTH	09MAY06	 TE Connectivity
DIMENSIONS: INCHES		CHK	MJ SPICER	09MAY06	
TOLERANCES UNLESS OTHERWISE SPECIFIED:		APVD	MJ SPICER	09MAY06	
0 PLC ± - 1 PLC ± - 2 PLC ± - 3 PLC ± .008 4 PLC ± - ANGLES ± -		PRODUCT SPEC	NAME		
MATERIAL	SEE TABLE	FINISH	SEE TABLE	WEIGHT	111 GRAMS
CUSTOMER DRAWING		SCALE	2:1	SHEET	1 OF 1
REV		3	WIRE TERMINAL, COPALUM SEALED, RING TONGUE, WIRE SIZE: 3/0 ALUMINUM		
CAGE CODE		A2	00779	C-696963	

单击下面可查看定价，库存，交付和生命周期等信息

[>>TE Connectivity\(泰科\)](#)