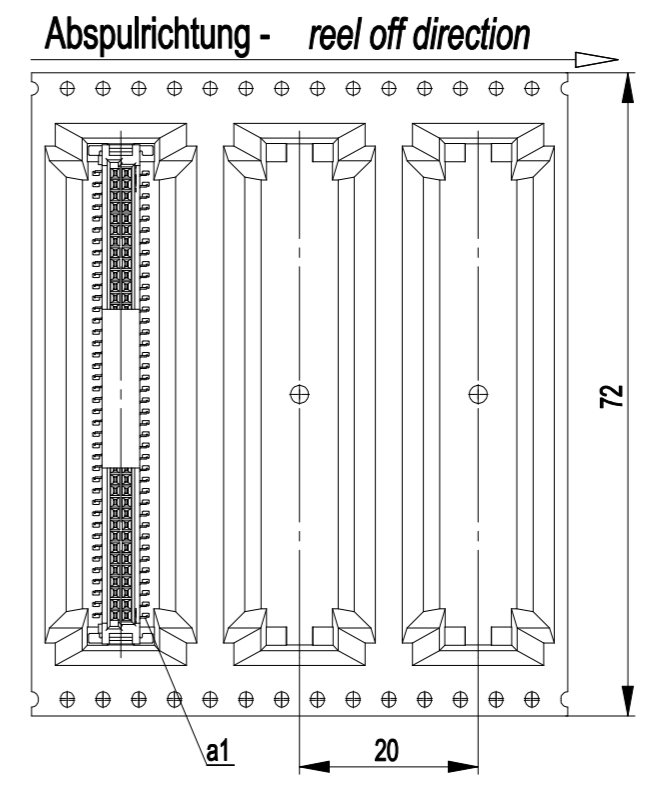
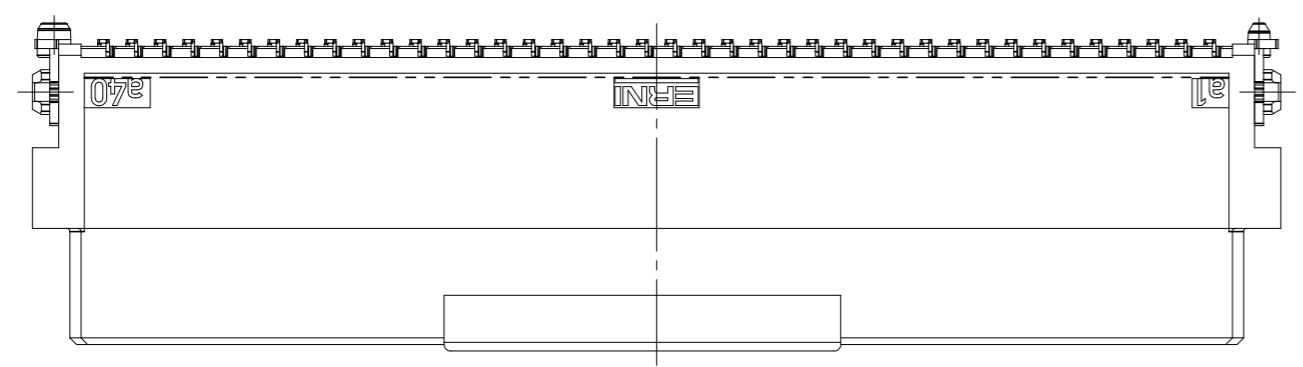
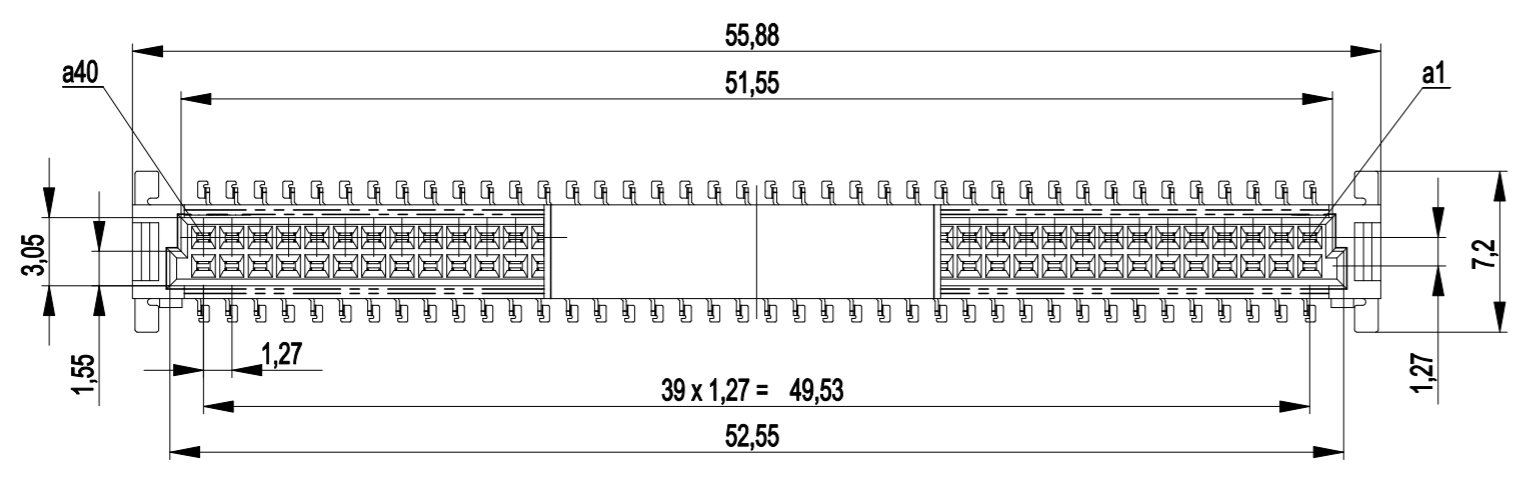
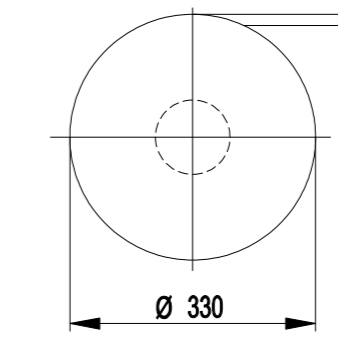
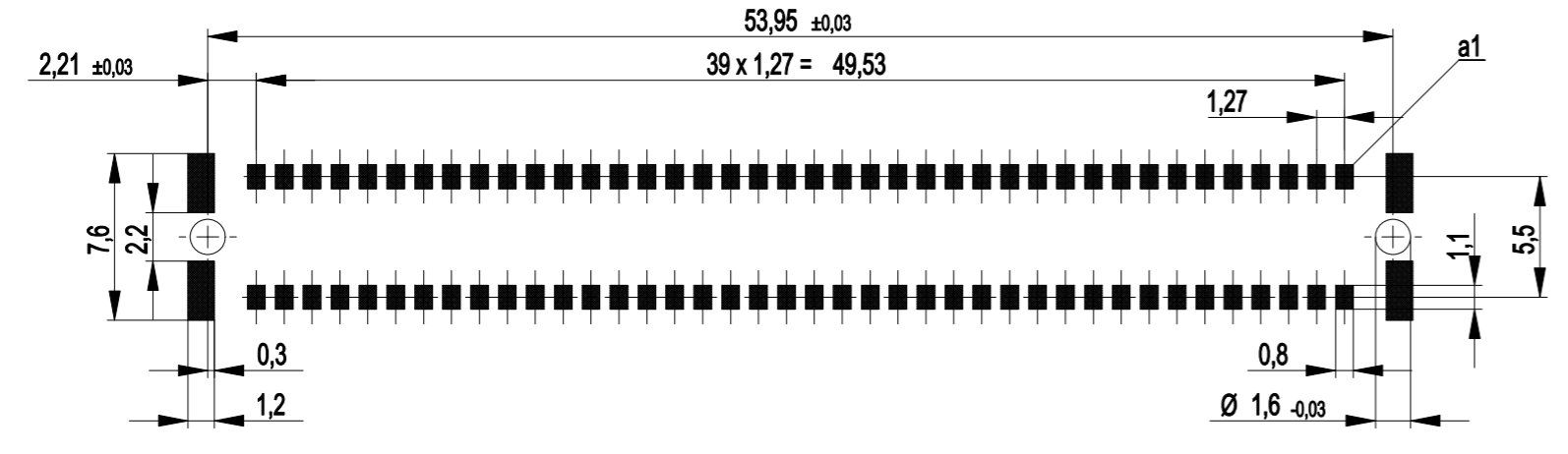


Verpackt im Gurt in Anlehnung an DIN IEC 60286-3  
 tape on reel packaging according to DIN IEC 60286-3  
 Verpackungseinheit: 160 Stück  
 packaging unit: 160 pcs



Leiterplatten-Layout Vorschlag für SMT  
 PCB-Layout Proposal for SMT



Anforderungsstufe 1  
 performance level 1

Kontaktbereich vergoldet  
 mating area gold plating

Anschlussbereich verzinkt 4-6 µm  
 terminal area 4-6 µm tin plating

Koplanarität der Anschlüsse ≤ 0,1 mm  
 coplanarity area of termination ≤ 0,1 mm

BA 7-23 - hohe Bauhöhe  
 type 7-23 - high profile

Dimension no.	Tolerances Dim. for Information ISO 8015		Scale 5:1 Material
Customer drawing: THIS DRAWING IS A CONTROLLED DOCUMENT.	Subject to modification without prior notice. Drawing will not be updated.		ERNI-Federl. SMC-B 80-SMD-BA7-23 Female SMC-B 80-SMT-type7-23
d Index	07.02.2020 Date		234201-E A2
Class			SMCB

单击下面可查看定价，库存，交付和生命周期等信息

[>>TE Connectivity\(泰科\)](#)