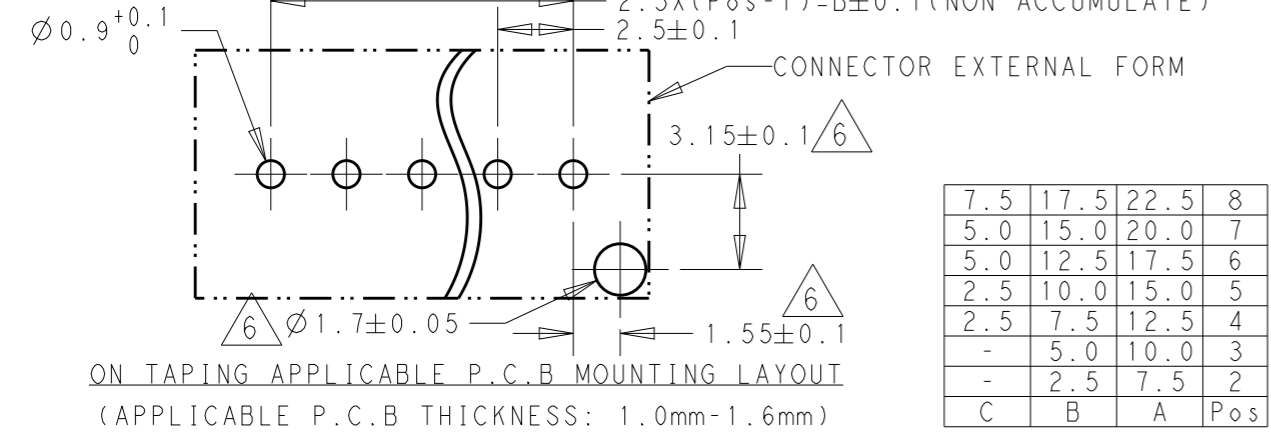
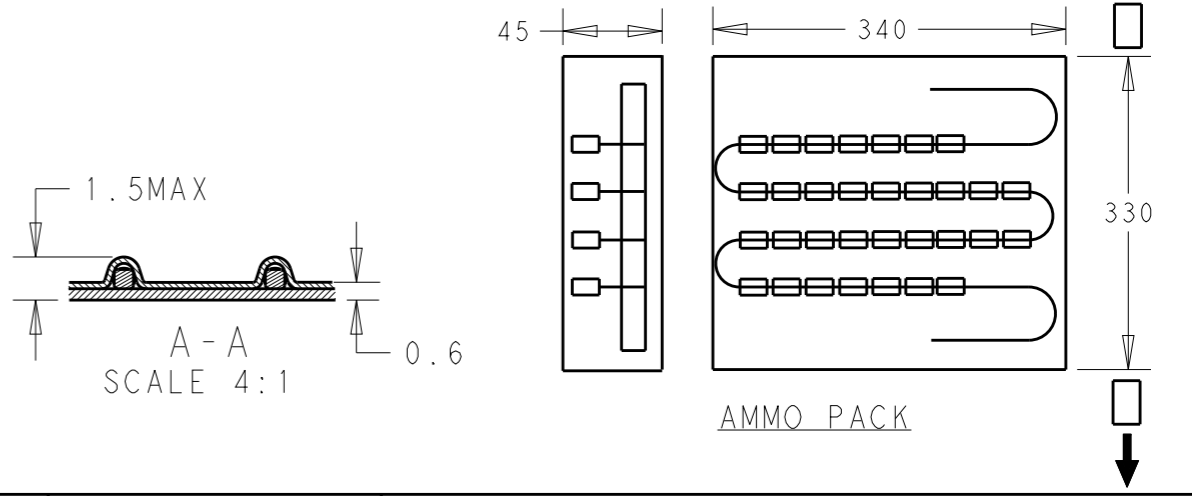
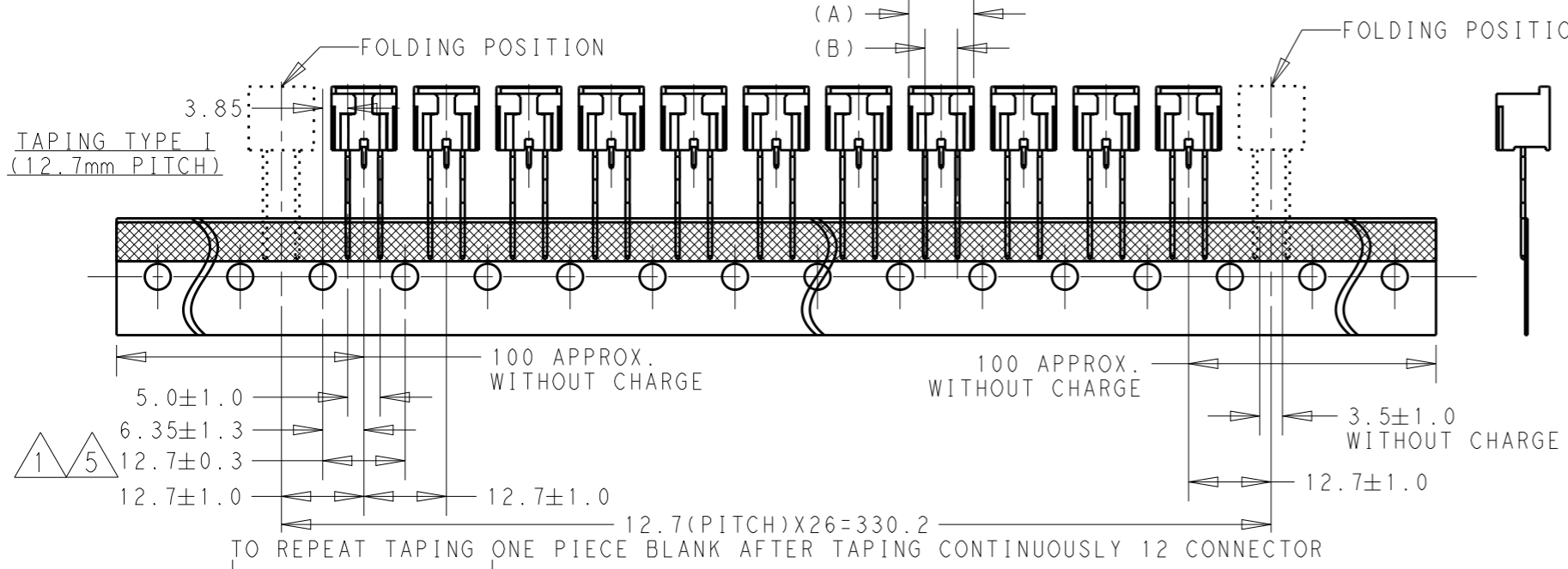
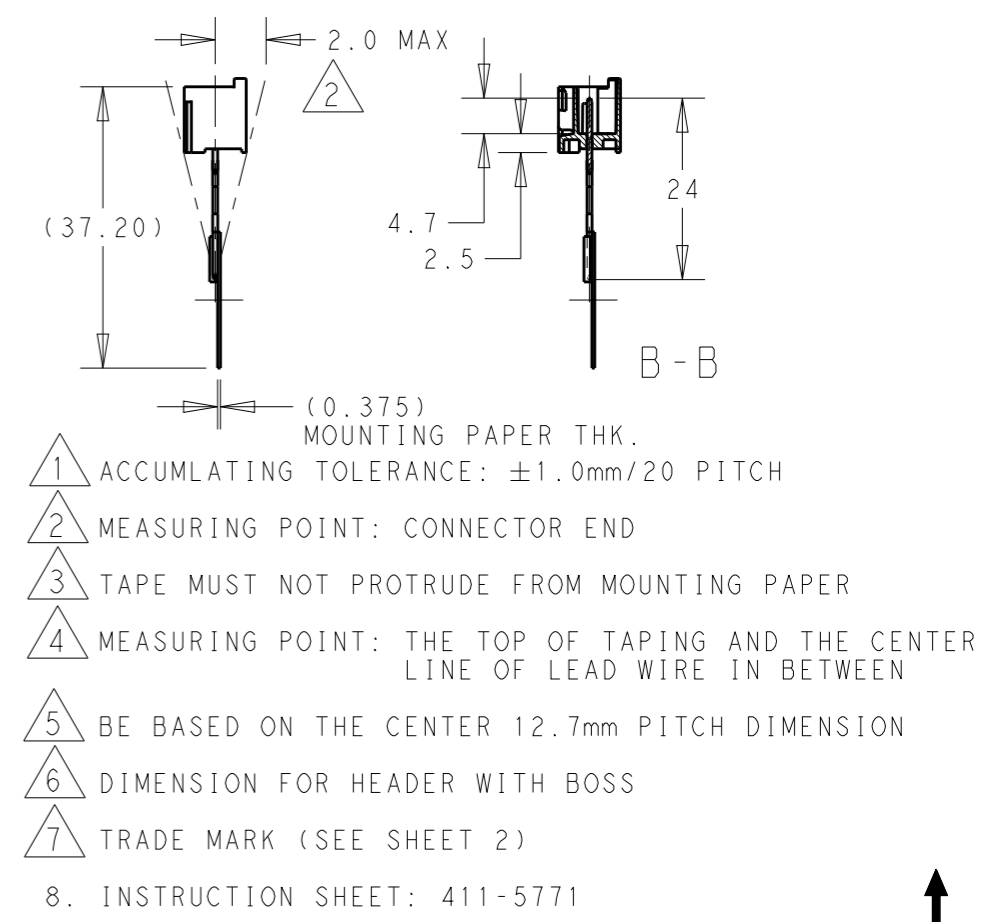
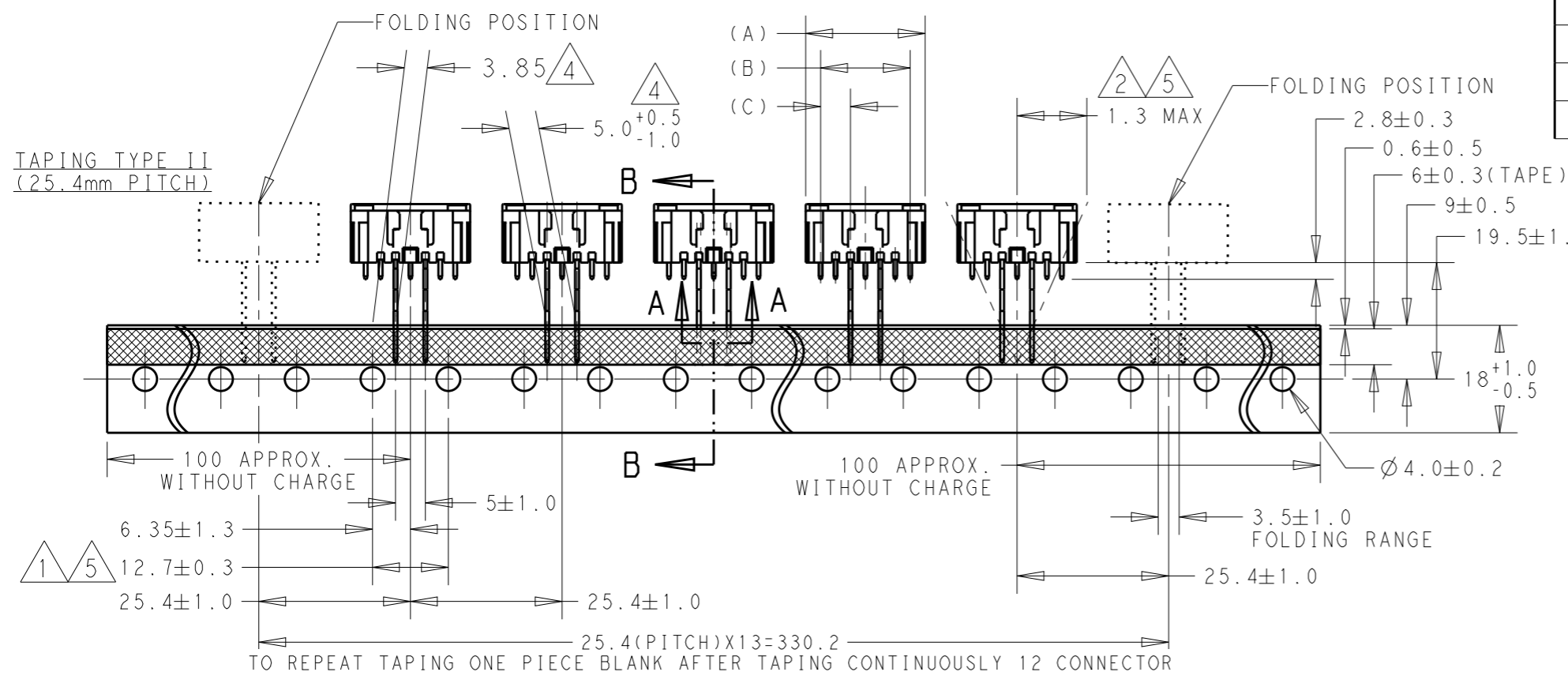


THIS DRAWING IS UNPUBLISHED. RELEASED FOR PUBLICATION 2017
 © COPYRIGHT 2017 BY - ALL RIGHTS RESERVED.

REVISIONS					
P	LTR	DESCRIPTION	DATE	DWN	APVD
	H3	REVISED PER ECR-17-000150	11JAN2017	K.S	D.Z



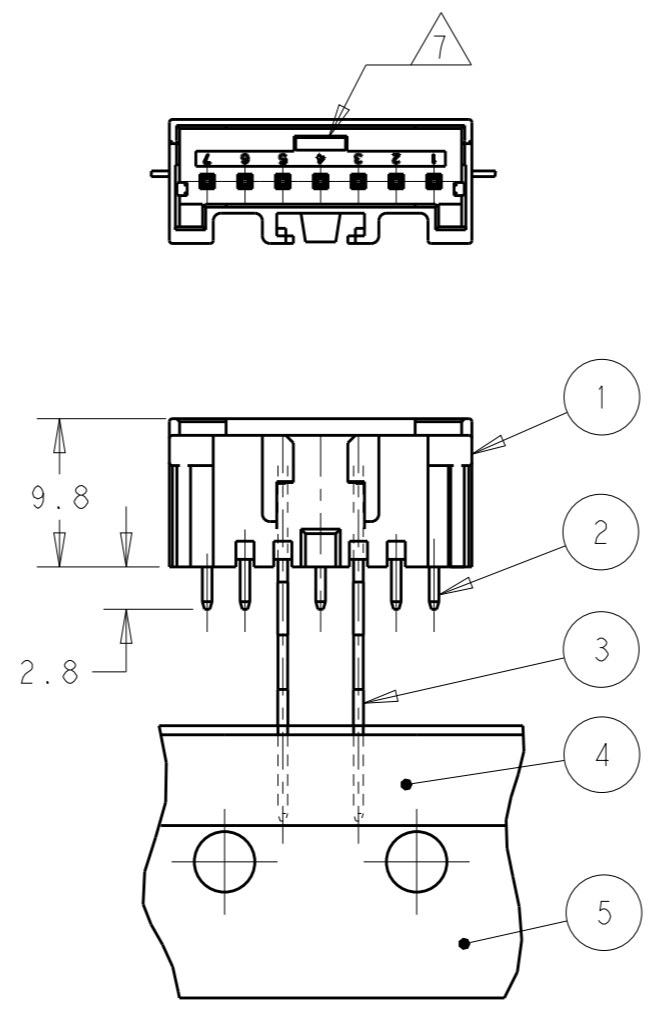
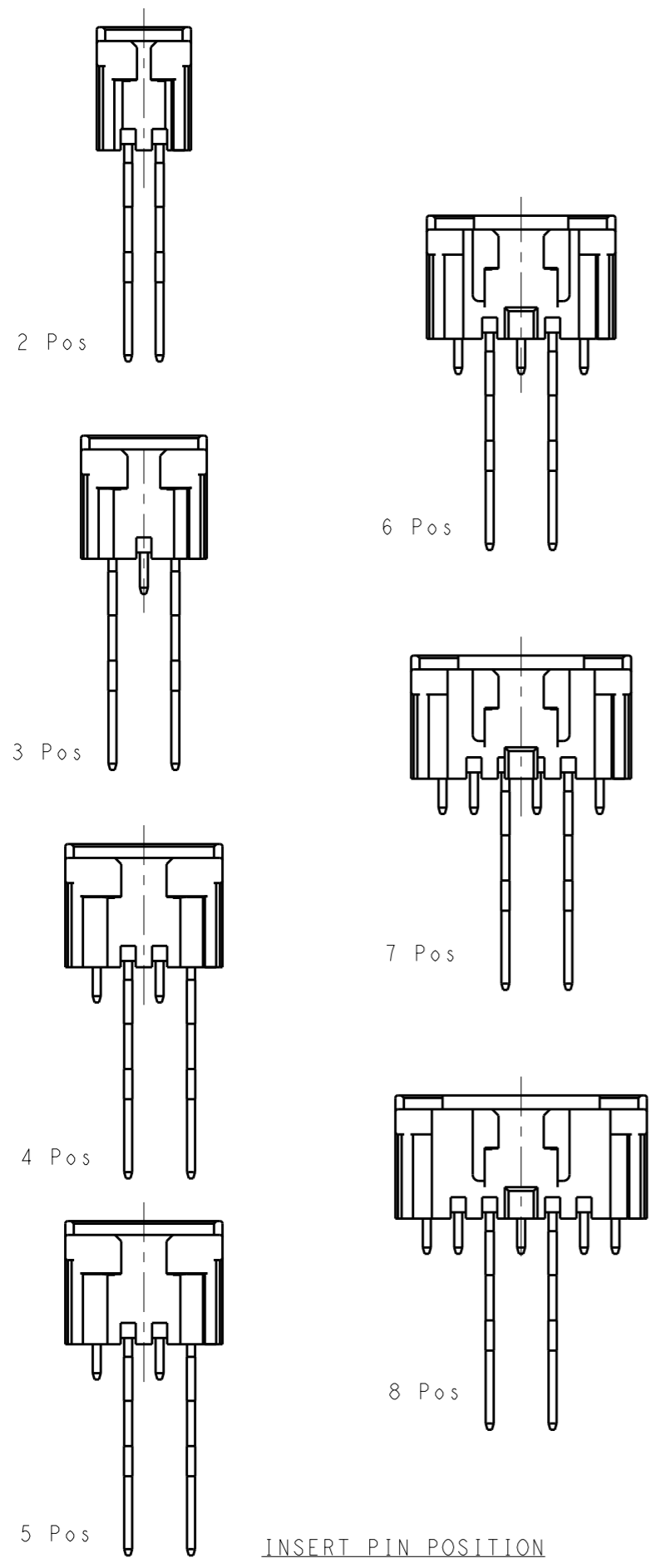
THIS DRAWING IS A CONTROLLED DOCUMENT.

DIMENSIONS:	TOLERANCES UNLESS OTHERWISE SPECIFIED:
mm	Ø PLC ± ~10±0.2
	1 PLC ± 10-30±0.25
	2 PLC ± 30-100±0.3
	3 PLC ±
	4 PLC ±
	ANGLES ±3°
MATERIAL SEE TABLE 2	FINISH -

DWN K.SAKAI 11JAN2017	 TE Connectivity	NAME ON TAPING 2.5mm SIGNAL DOUBLE LOCK STANDARD TYPE HEADER ASSEMBLY		
CHK DANIEL ZHANG 11JAN2017				
APVD DANIEL ZHANG 11JAN2017				
PRODUCT SPEC 108-5459				
APPLICATION SPEC -	SIZE A3	CAGE CODE -	DRAWING NO. C-917894	RESTRICTED TO -
WEIGHT -	SCALE 1:1		SHEET 1 OF 2	REV H3
CUSTOMER DRAWING				

THIS DRAWING IS UNPUBLISHED. RELEASED FOR PUBLICATION 2017
 © COPYRIGHT 2017 BY - ALL RIGHTS RESERVED.

REVISIONS					
P	LTR	DESCRIPTION	DATE	DWN	APVD
-	-	SEE SHEET 1	-	-	-



ITEM NO.	NAME	MATERIAL & FINISH
①	HEADER HOUSING	66 NAYLON GLASS FILLED CTI: 250 ~ 399
②	POST CONTACT	PRE-TIN COPPER ALLOY
③	RADIALPIN	PRE-TIN COPPER ALLOY
④	TAPE	THERMAL PAPER
⑤	MOUNTING PAPER	CRAFT PAPER

WITHOUT	NATURAL	II	450	8	917900-1	
WITHOUT	YELLOW	II	450	7	917899-4	
WITH	RED	II	450	7	3-917899-2	
WITH	NATURAL	II	450	7	3-917899-1	
WITHOUT	NATURAL	II	450	7	917899-1	
WITHOUT	NATURAL	II	450	6	917898-1	
WITHOUT	RED	II	450	5	917897-2	
WITHOUT	NATURAL	II	450	5	917897-1	
WITHOUT	NATURAL	II	450	4	917896-1	
WITHOUT	BLACK	I	900	3	917895-9	
WITHOUT	BLUE	I	900	3	917895-6	
OBSOLETE	WITHOUT	RED	I	900	3	917895-2
WITHOUT	NATURAL	I	900	3	917895-1	
WITHOUT	BLUE	I	900	2	917894-6	
WITHOUT	NATURAL	I	900	2	917894-1	
BOSS	COLOR	TAPING TYPE	QTY	Pos	P/N (ON TAPING)	

THIS DRAWING IS A CONTROLLED DOCUMENT.		DWN K. SAKAI 11 JAN 2017	TE Connectivity ON TAPING 2.5mm SIGNAL DOUBLE LOCK STANDARD TYPE HEADER ASSEMBLY		
DIMENSIONS: mm		CHK DANIEL ZHANG 11 JAN 2017			
TOLERANCES UNLESS OTHERWISE SPECIFIED:		APVD DANIEL ZHANG 11 JAN 2017			
0 PLC ± 1 PLC ± 2 PLC ± 3 PLC ± 4 PLC ± ANGLES ±3°		PRODUCT SPEC 108-5459			
MATERIAL SEE TABLE 2		FINISH -	APPLICATION SPEC -	WEIGHT -	RESTRICTED TO -
CUSTOMER DRAWING			SIZE A3	CAGE CODE -	DRAWING NO C-917894
			SCALE 2:1	SHEET 2 OF 2	REV H3

单击下面可查看定价，库存，交付和生命周期等信息

[>>TE Connectivity\(泰科\)](#)