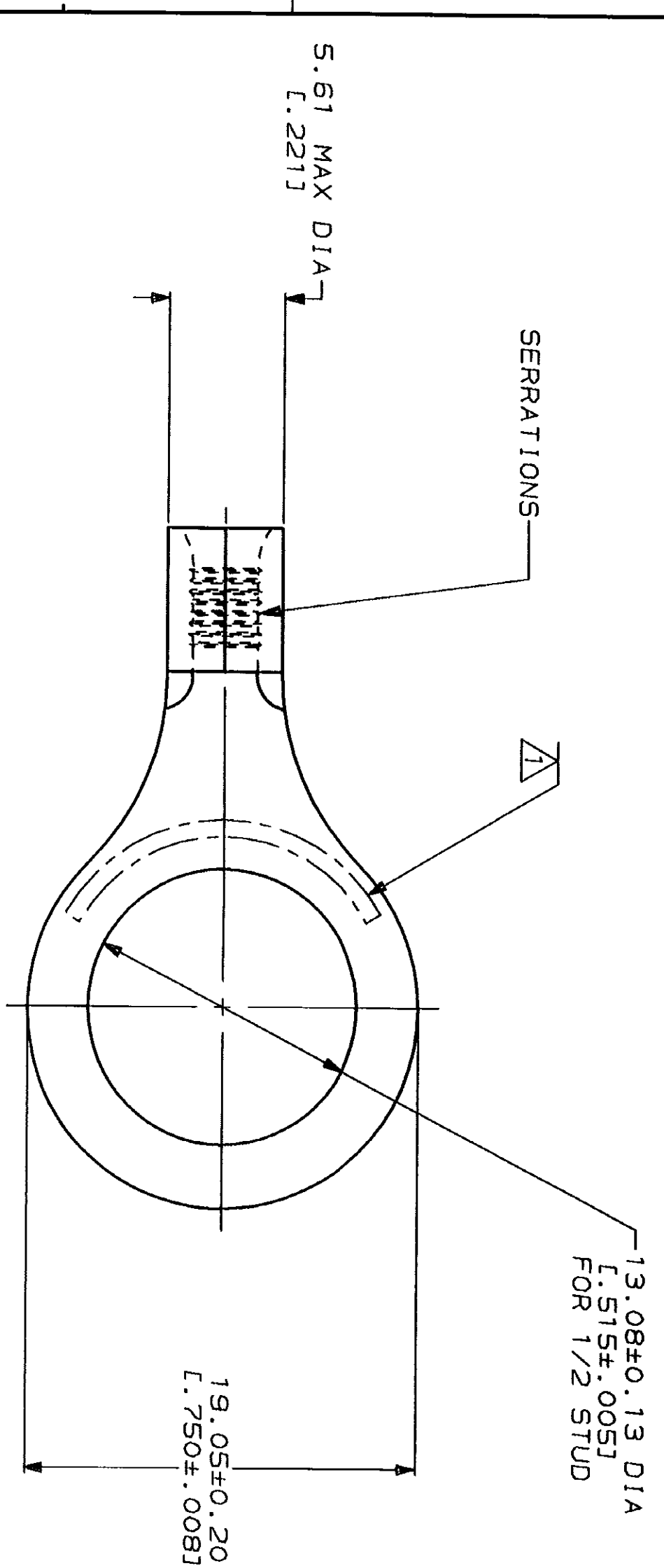


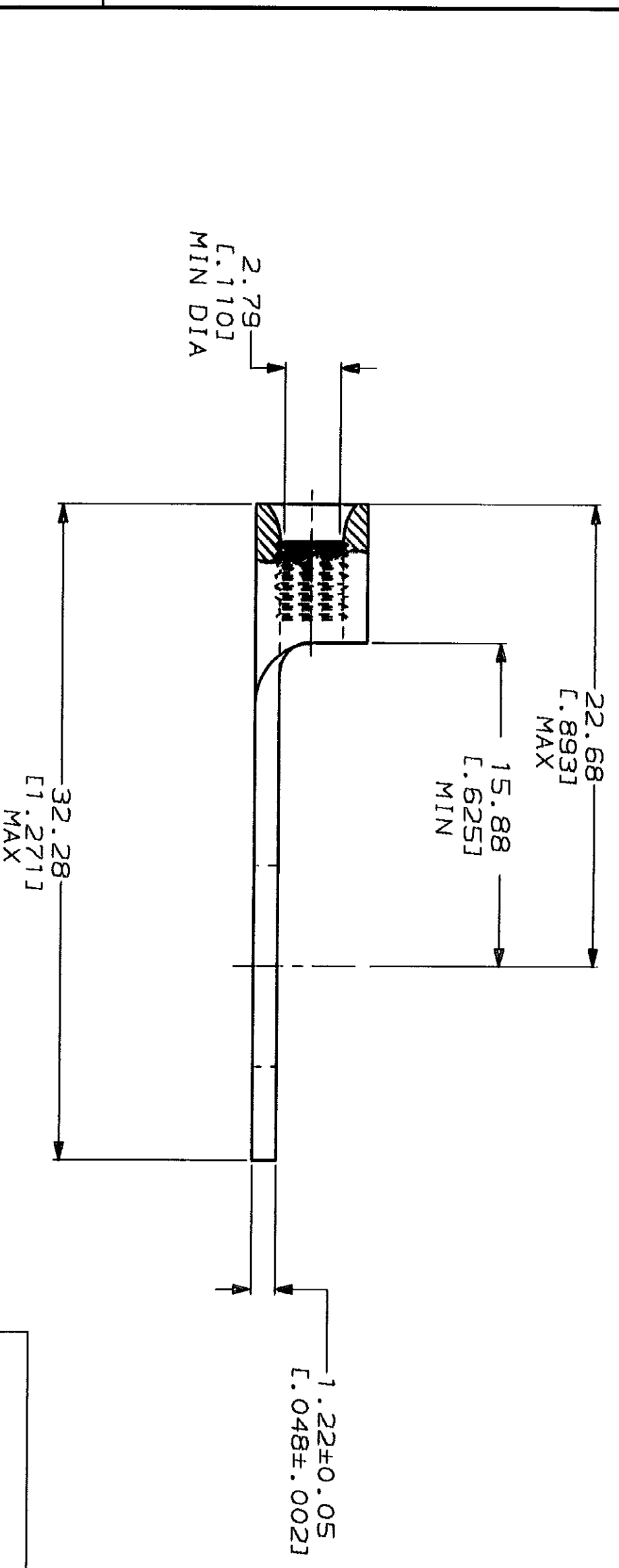
LOC	DIST	REV	DESCRIPTION	DATE	APPD
G	14				
		A	REV & REDRAWN PER 0720-0008-93	2-1-93	JBD

METPRIG
 DIMENSIONS LISTED IN MM [INCHES]



AMP WIRE RANGE	UL Listed E13288
16-14HD AWG STRANDED	16-14HD AWG STRANDED
LR7189 Certified	MILITARY P/N AND CLASS
NOT CERTIFIED	NOT APPLICABLE

△ STAMP AMP 16-14HD* APPROX AS SHOWN



**AMP INCORPORATED
 CUSTOMER SERVICE SYSTEMS**

FOR ADDITIONAL PRODUCT INFORMATION OR COPIES OF DRAWINGS AND TECHNICAL DOCUMENTS
 PRODUCT INFORMATION CENTER
 1-800-522-6752

FOR APPLICATION TOOLING INFORMATION
 TOOLING ASSISTANCE CENTER
 1-800-722-1111

FOR ORDER ENTRY
 1-800-526-5142

MAX RECOMMENDED OPERATING TEMPERATURE: 170°C MAX
 VOLTAGE RATING: NOT APPLICABLE
 WIRE CROSS SECTIONAL AREA RANGE: 1.04-2.62mm² [2,050-5,180] CIR MILS STRANDED

DO NOT SCALE PRINT. UNLESS SPECIFIED DIMENSIONS IN mm - FINEST TOLERANCES ON: 2 PLC DEC ± - - 3 PLC DEC ± - - ANGLES MATERIAL COPPER PER ASTM B-152 ANNEALED

FINISH TIN PLATE
 0.00254 [0.00100] MIN THK PER MIL-T-10727

DR 2-1-93 TA BRINKMAN	APPD 2-1-93 DE MILLER	NAME
CHK 2-1-93 DA PATTERSON	APPD 2-1-93 JL MECKLEY	TERMINAL, RING TONGUE, HEAVY DUTY, BUDGET
APPD 2-1-93 DE MILLER	PRODUCT SPEC	

AMP Incorporated
 Harrisburg, PA 17105-3608

SIZE CAGE CODE DRAWING NO
 00779 G-34830

单击下面可查看定价，库存，交付和生命周期等信息

[>>TE Connectivity\(泰科\)](#)