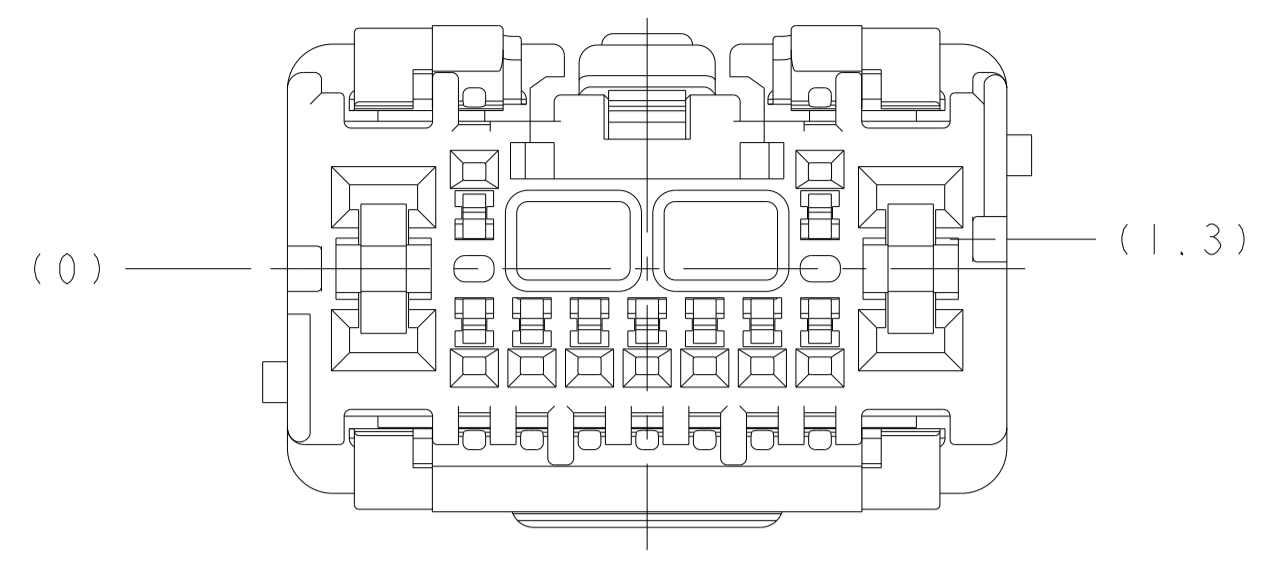
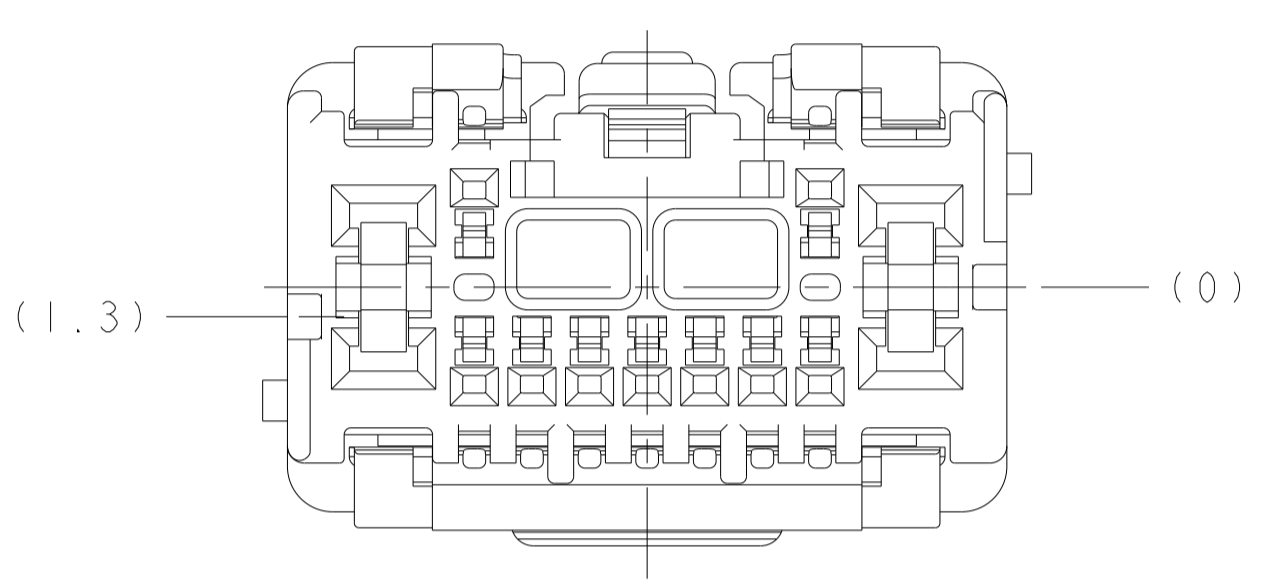


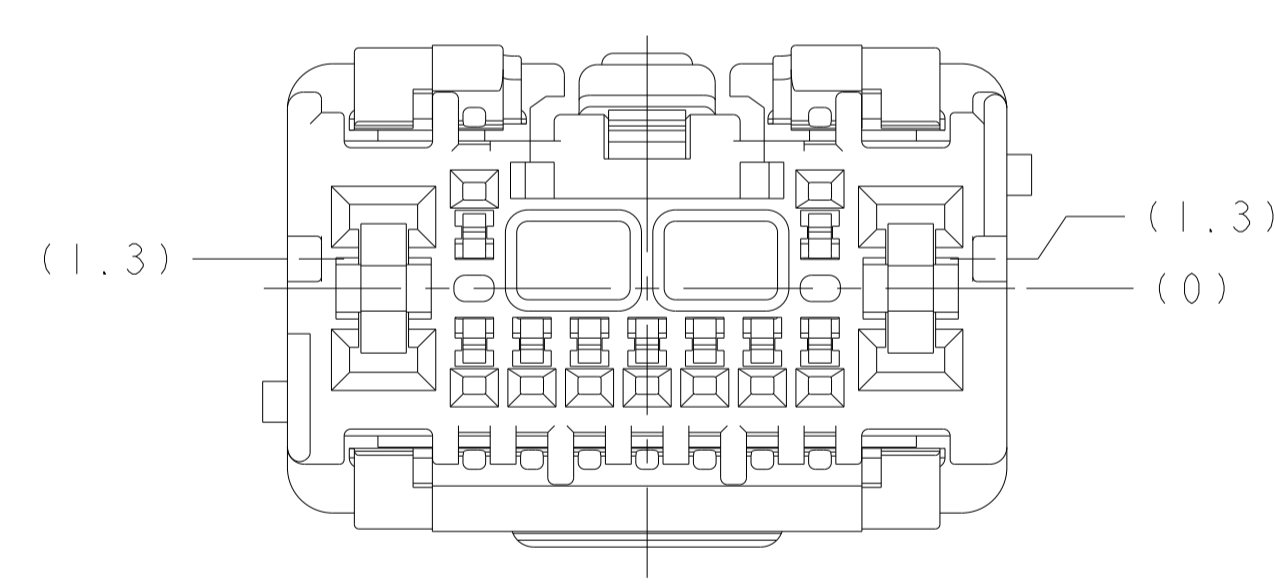
LOC		DIST		REVISIONS			
P	LTN	DESCRIPTION	DATE	DMN	APVD		
C		REVISED PER ECO-09-008312	02APR2009	AV	AV		
D		REVISED PER ECO-13-005462	02APR2013	DD	CS		
D1		REVISED PER ECN-21-119725	01NOV2021	JMS	CS		



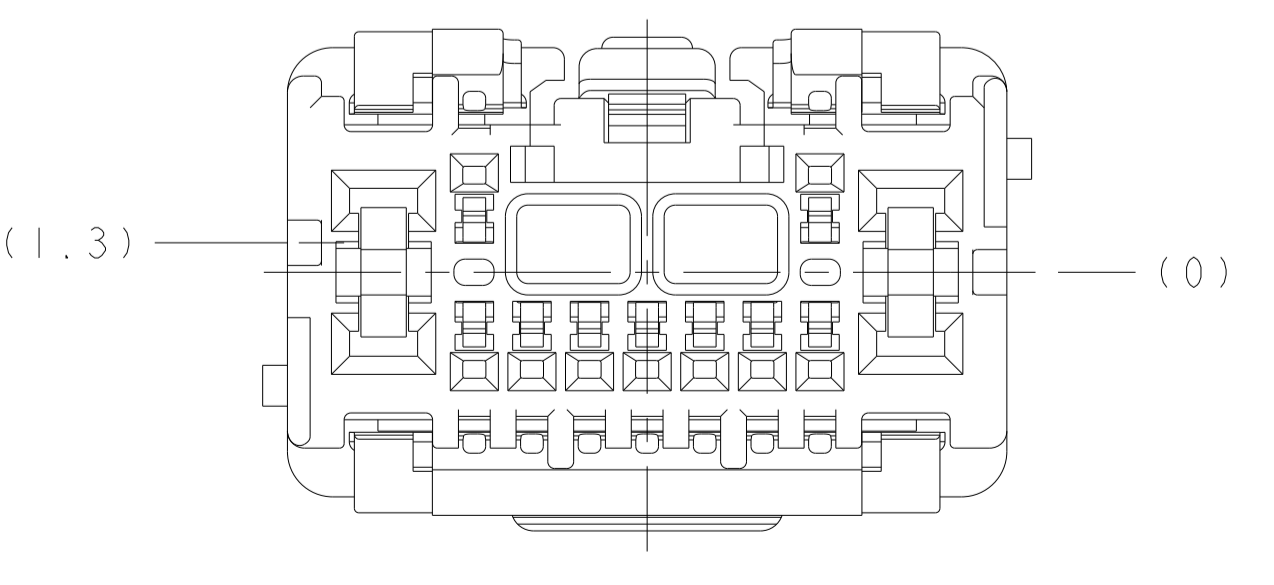
1924667-1
KEYING OPTION "A"



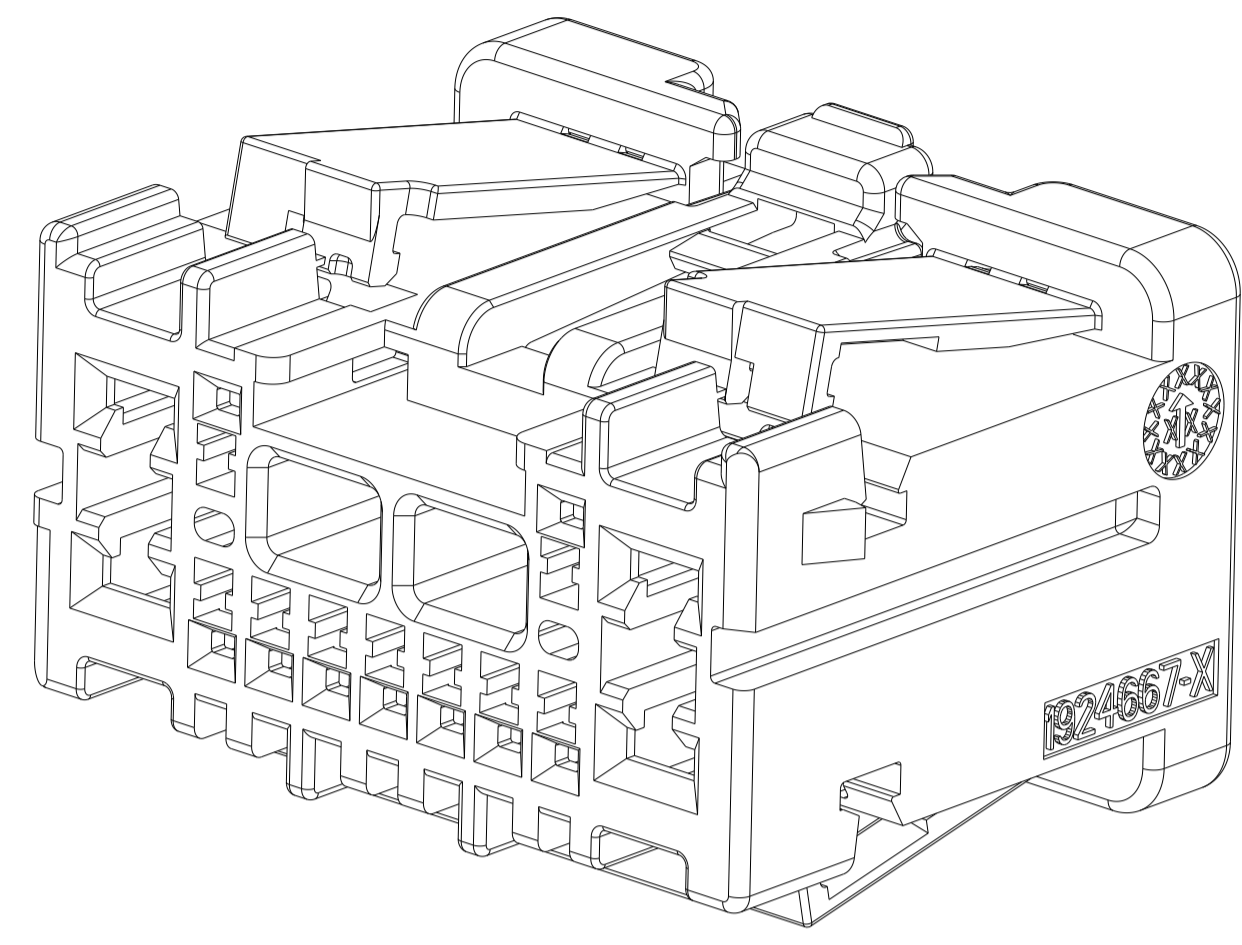
1924667-2
KEYING OPTION "B" ⚠



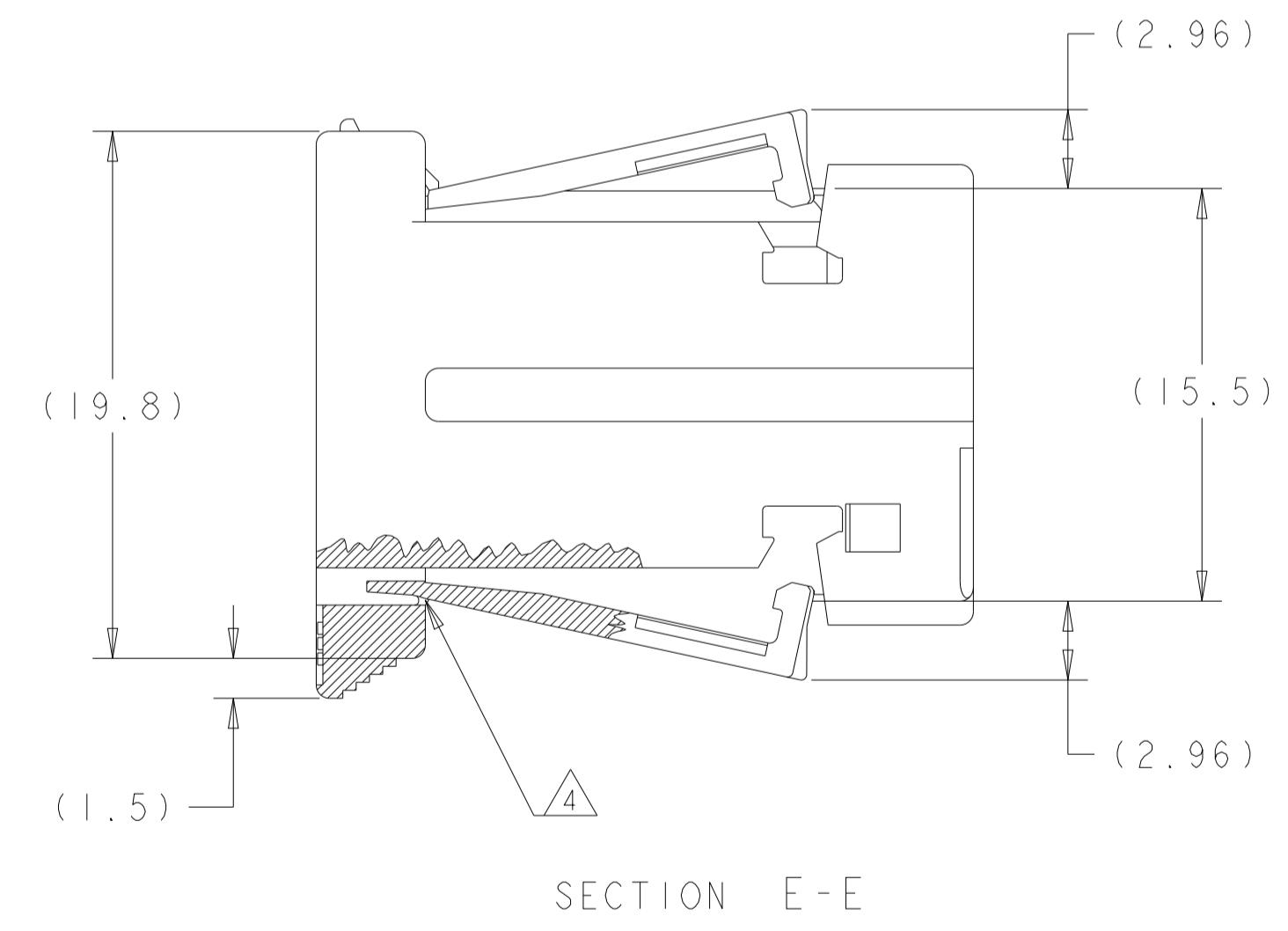
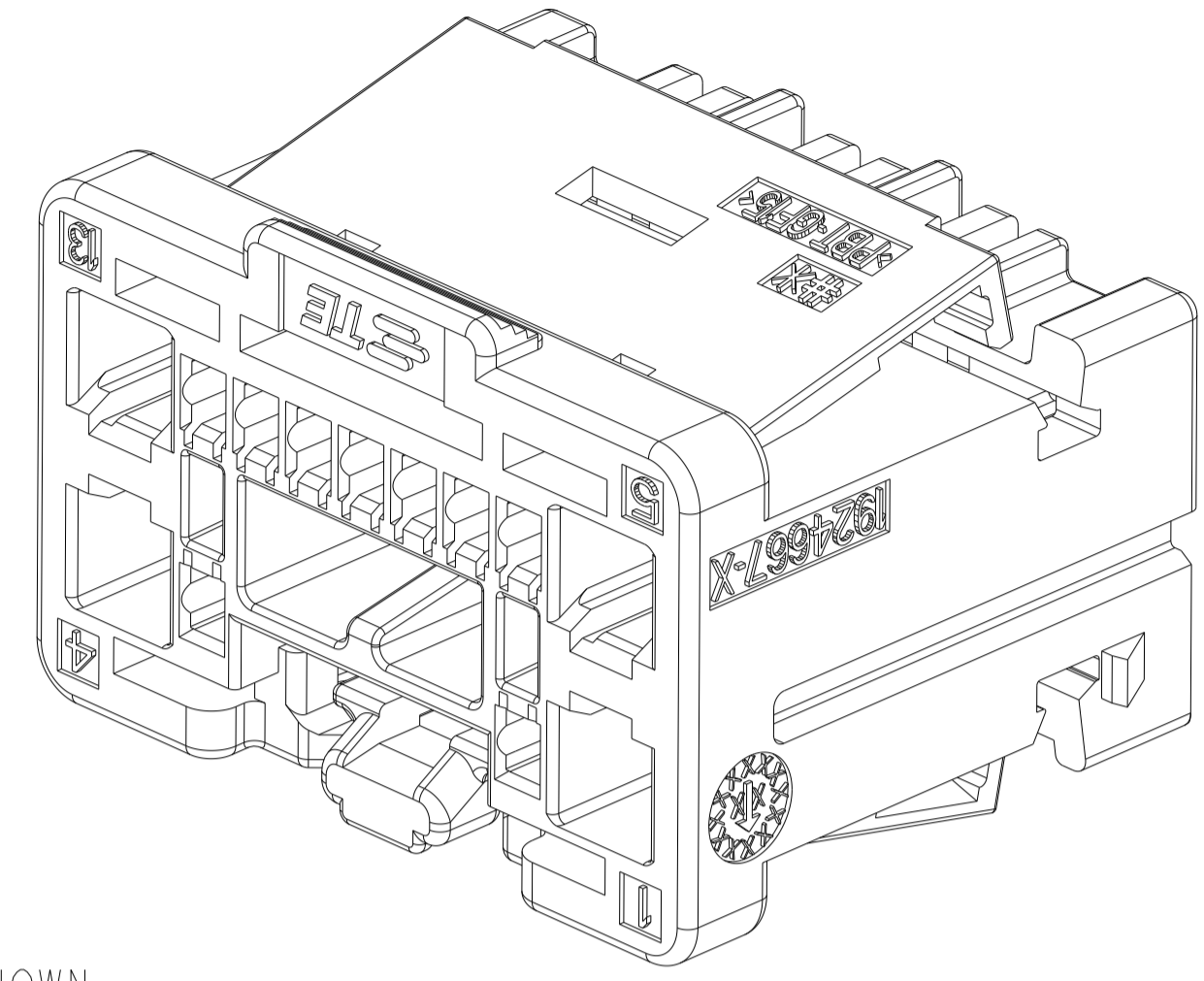
1924667-3
KEYING OPTION "C" ⚠



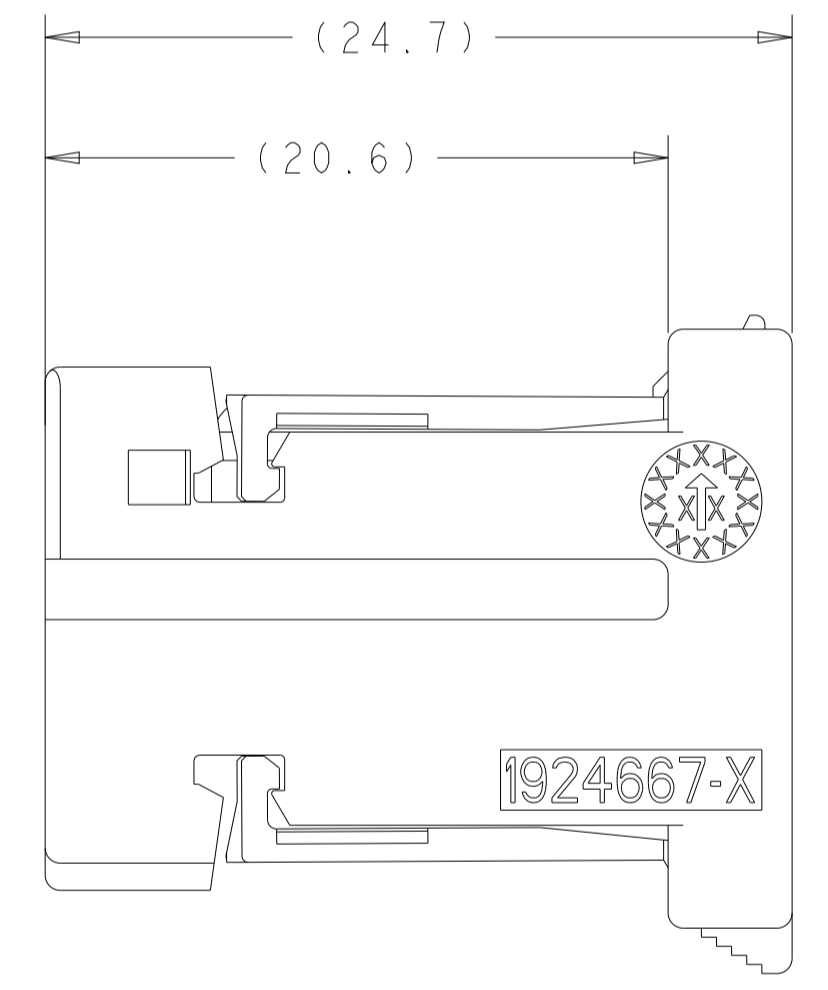
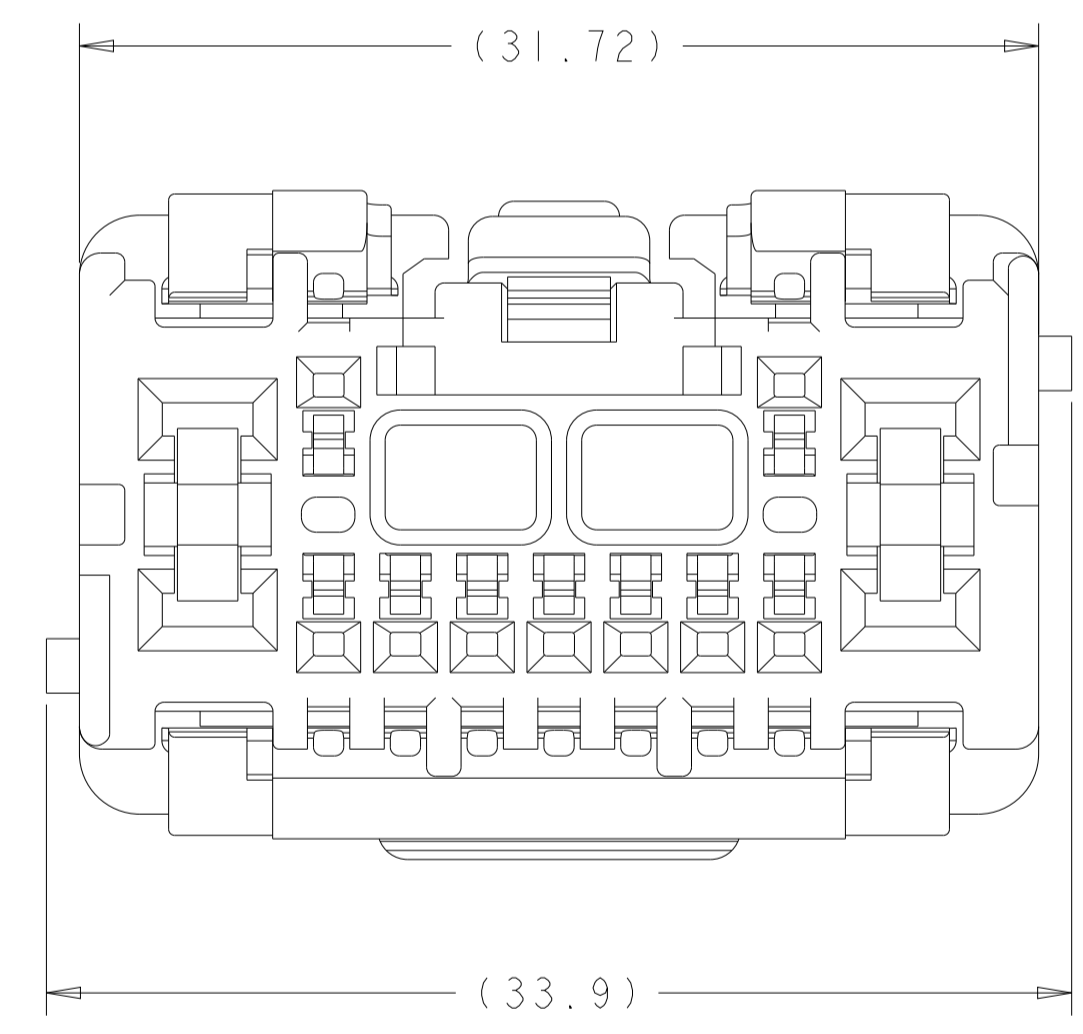
1924667-4
KEYING OPTION "D" ⚠



SECONDARY LOCKS SHOWN
IN OPEN POSITION
(SHIPPING POSITION)



SECTION E-E



SIDE VIEW WITH
SECONDARY LOCK CLOSED

NOTES:

- MATERIAL:
PLUG HOUSING: PBT 15% GLASS FILLED
COLOR: BLACK
- OPTIONAL CPA AVAILABLE.
- MATING RECEPTACLES:
1326030 TIN PLATING, 2.8 CONTACT
1924955 TIN PLATING, 0.64 CONTACT

⚠ WHEN SECONDARY LOCK IS TRANSITIONED FROM THE OPEN TO THE CLOSED POSITION THE PLASTIC ATTACHING THE SECONDARY LOCK IS ALLOWED/ASSUMED TO BREAK AWAY IN THE AREA SHOWN (TYPICAL).

⚠ PROPOSED DESIGN - NOT TOOLED.

D	1924667-4	⚠
C	1924667-3	⚠
B	1924667-2	⚠
A	1924667-1	
KEYING OPTION	TE PART NUMBER	

THIS DRAWING IS A CONTROLLED DOCUMENT.

DIMENSIONS:	TOLERANCES UNLESS OTHERWISE SPECIFIED:	DMN M. HITCHCOCK 12 JUL 2007	CHK A. VASBINDER 12 JUL 2007	APVD A. VASBINDER 12 JUL 2007	NAME
mm	0 PLC ±0.0 1 PLC ±0.3 2 PLC ±0.10 3 PLC ±0.0 4 PLC ±0.0 ANGLES ±3°	PRODUCT SPEC	APPLICATION SPEC	408-10292	SIZE CAGE CODE DRAWING NO RESTRICTED TO
MATERIAL	FINISH	WEIGHT	Customer Drawing	A100779	SCALE 4:1 SHEET 1 OF 1 REV D1

STE TE Connectivity
13-WAY UNSEALED 1-PIECE (9X 0.64, 4X 2.8)

单击下面可查看定价，库存，交付和生命周期等信息

[>>TE Connectivity\(泰科\)](#)