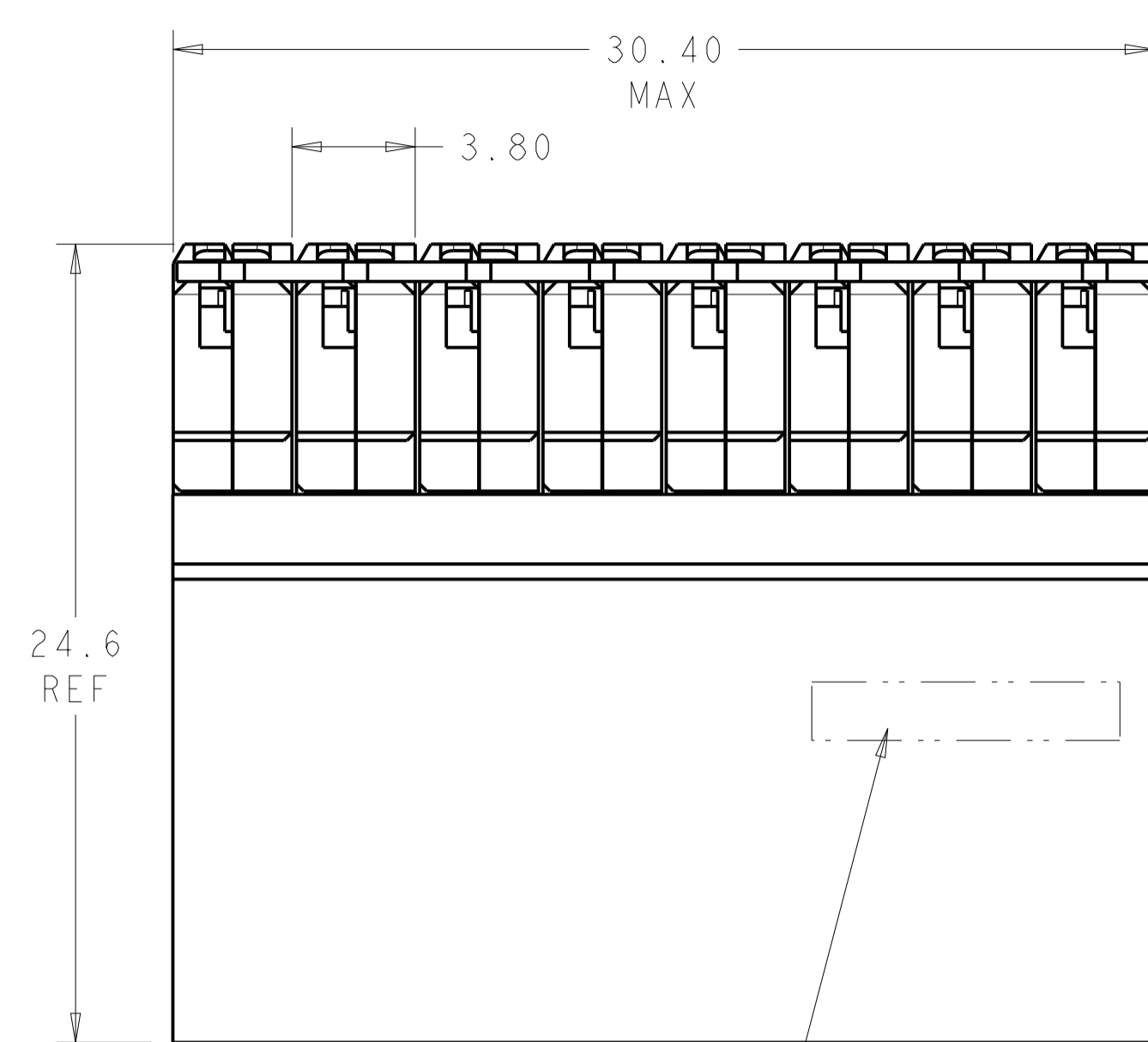
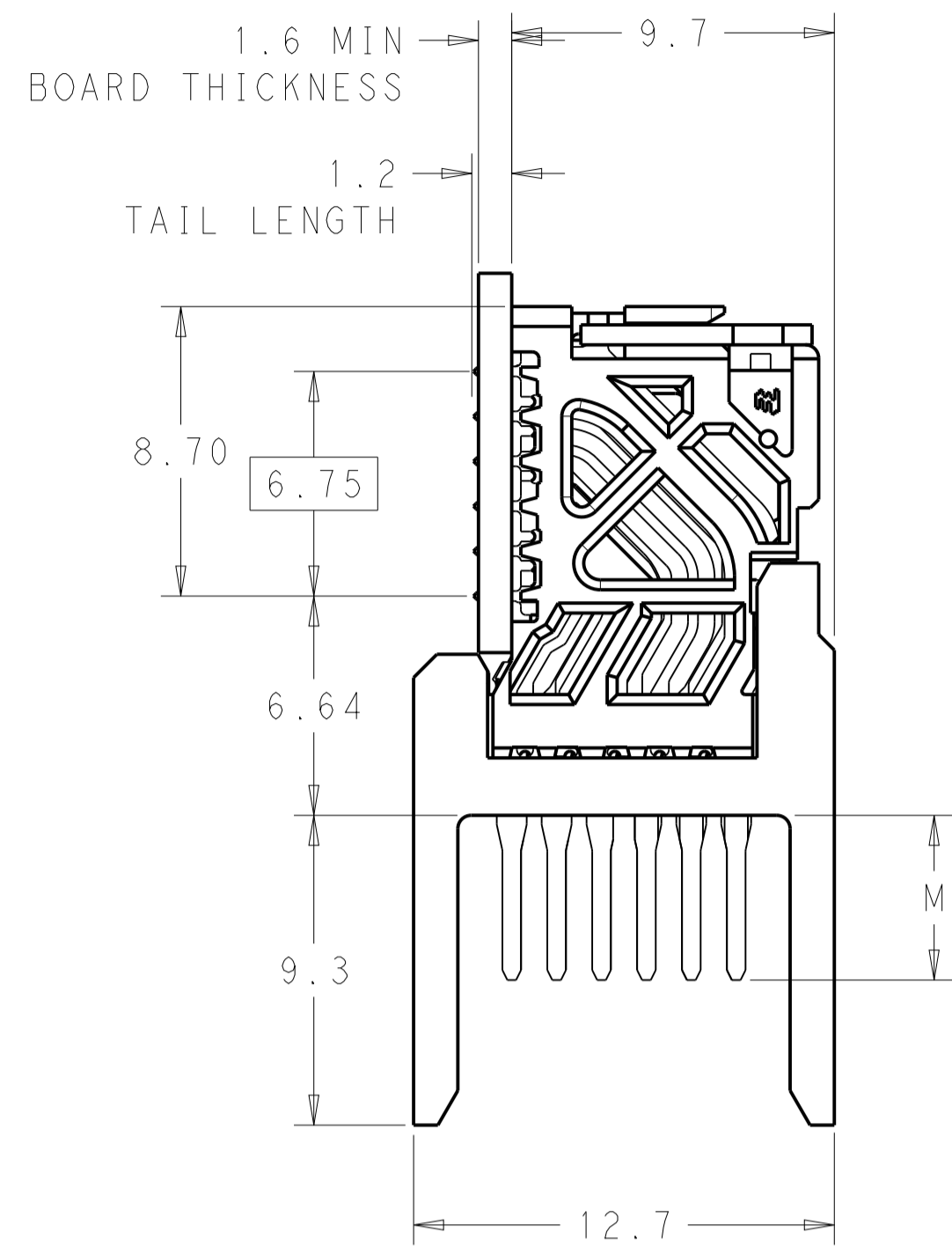
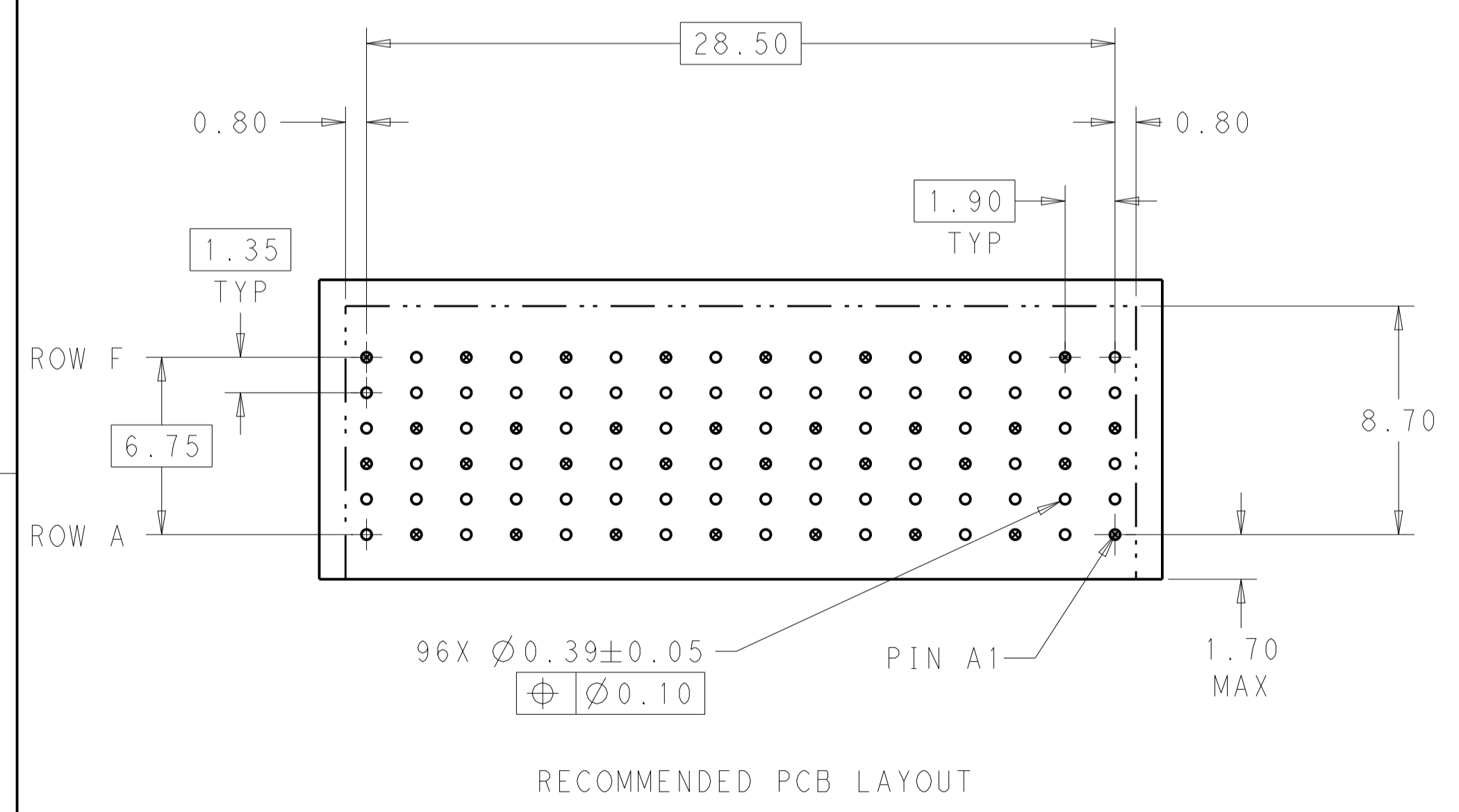
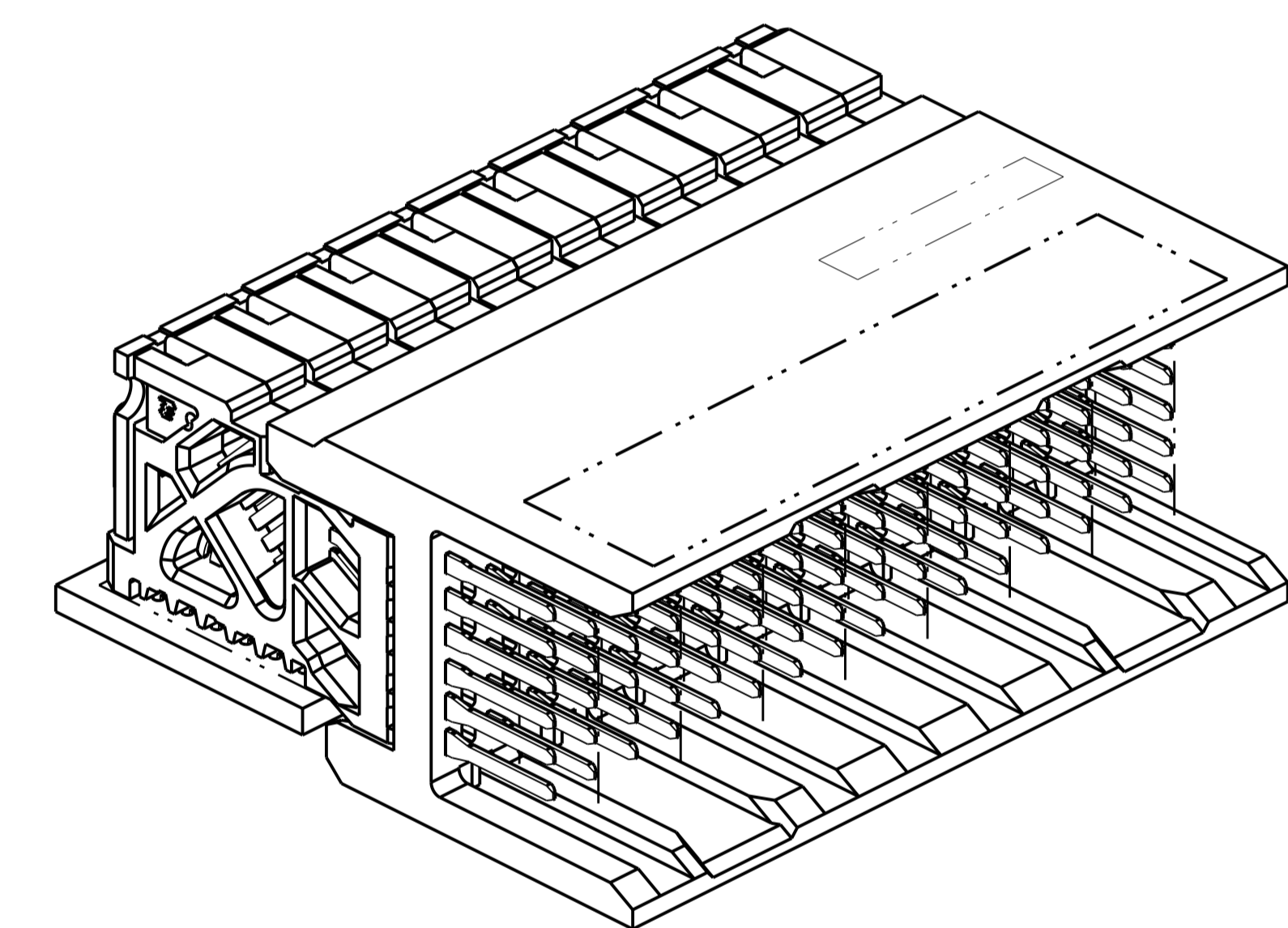
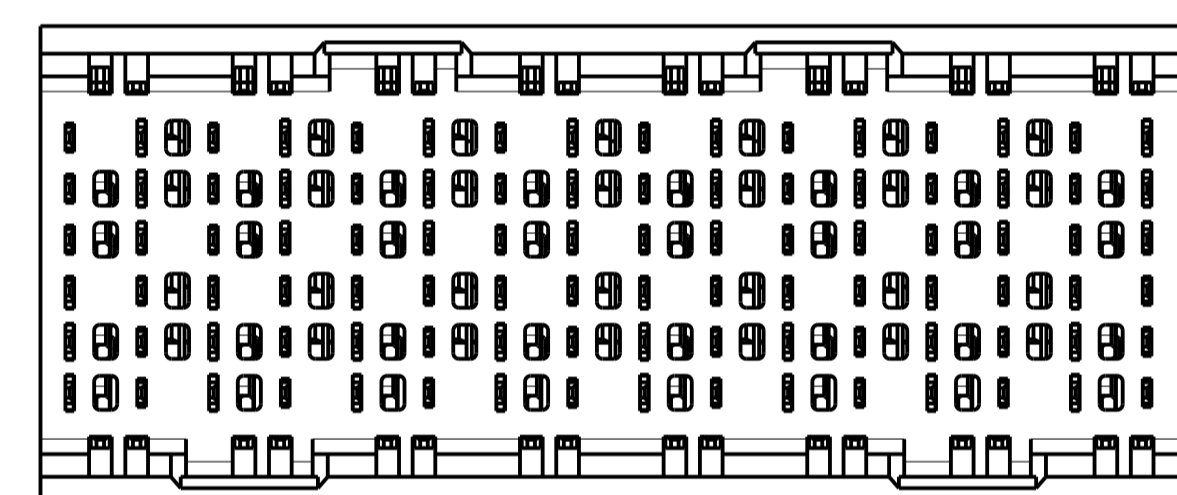


LOC		DIST		REVISIONS			
AD	00	REV	DATE	BY	CHK	APP	DATE
		C	21APR2014		AP	DD	

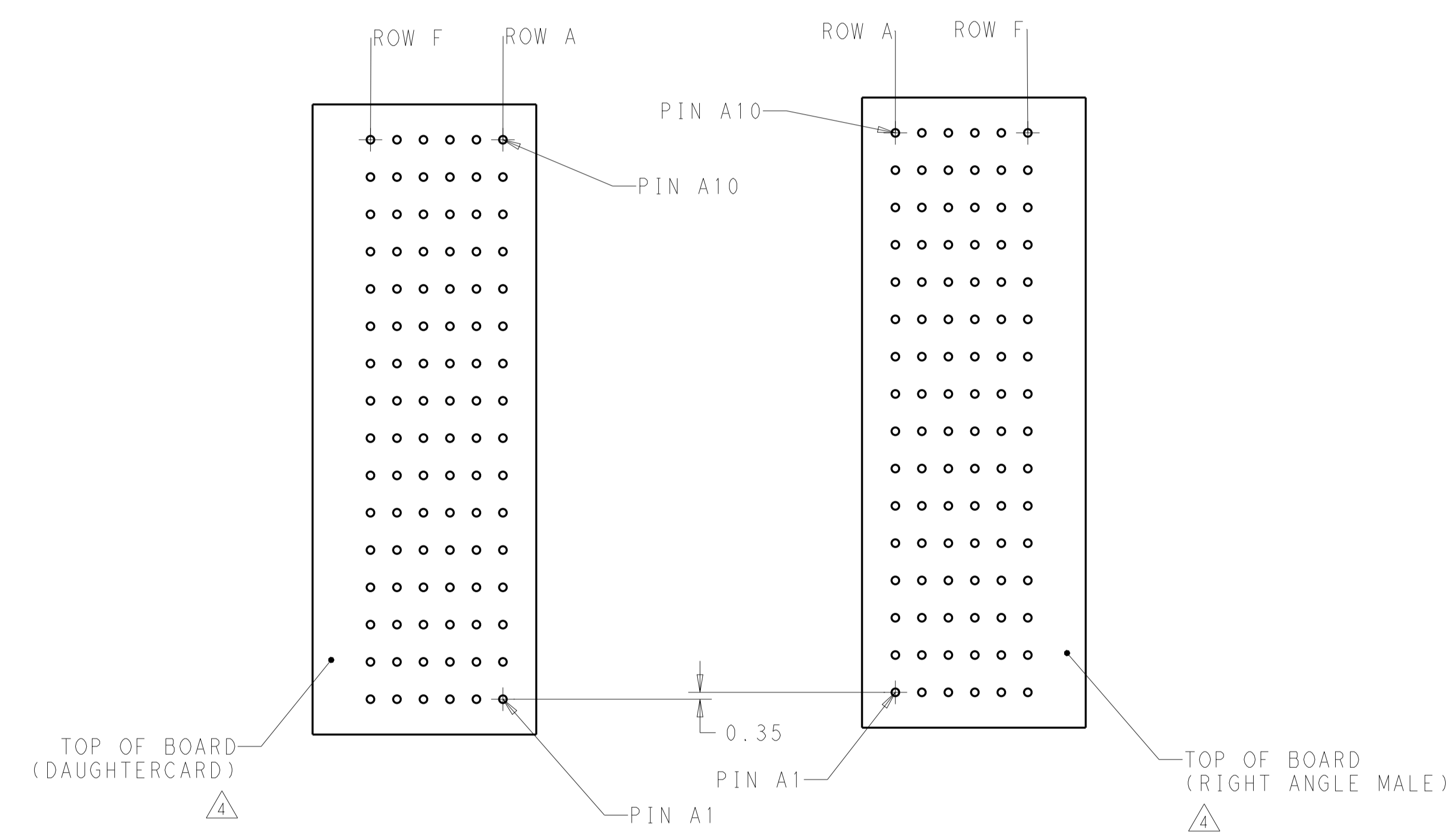


- 1 MATERIAL:
 HOUSING: LCP, GLASS FILLED, UL94V-0.
 TERMINALS: HIGH PERFORMANCE COPPER ALLOY.
- 2 FINISH:
 30µm SELECTIVE GOLD IN CONTACT AREA. SELECTIVE TIN ON PCB TAILS, NICKEL OVERALL.
- 3 FINISH:
 30µm SELECTIVE GOLD IN CONTACT AREA. SELECTIVE TIN-LEAD ON PCB TAILS, NICKEL OVERALL.
- 4 UNGUIDED RIGHT ANGLE MALE MATES TO UNGUIDED RIGHT ANGLE RECEPTACLE.
- 5 TE LOGO LOCATED IN APPROXIMATE LOCATION.

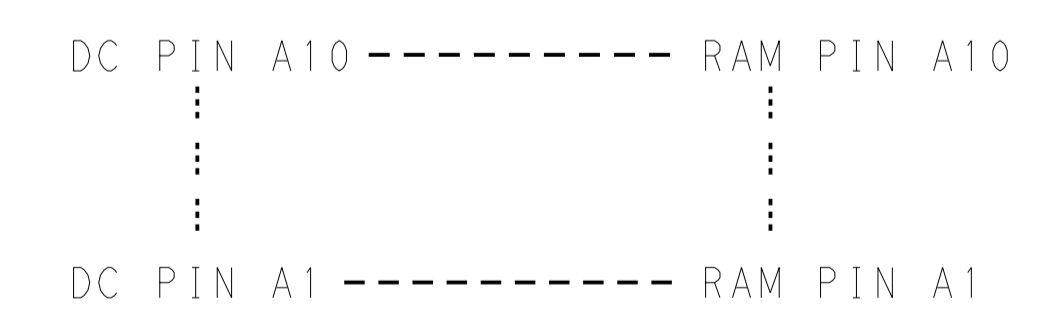


THIS DRAWING IS A CONTROLLED DOCUMENT.		DWN	07APR2011	TE Connectivity															
DIMENSIONS:		CHK	07APR2011																
TOLERANCES UNLESS OTHERWISE SPECIFIED:		APVD	07APR2011																
mm		NAME	IMPACT, STD, RAM, 2 PAIR, 16 COLUMN, UNGUIDED OPEN END WALL SIGNAL MODULE, 0.39 EYELET																
<table border="1"> <tr> <td>0 PLC</td> <td>±</td> </tr> <tr> <td>1 PLC</td> <td>±0.25</td> </tr> <tr> <td>2 PLC</td> <td>±0.13</td> </tr> <tr> <td>3 PLC</td> <td>±</td> </tr> <tr> <td>4 PLC</td> <td>±</td> </tr> <tr> <td>ANGLES</td> <td>±</td> </tr> </table>		0 PLC	±	1 PLC	±0.25	2 PLC	±0.13	3 PLC	±	4 PLC	±	ANGLES	±	PRODUCT SPEC		SIZE	CAGE CODE	DRAWING NO	RESTRICTED TO
0 PLC	±																		
1 PLC	±0.25																		
2 PLC	±0.13																		
3 PLC	±																		
4 PLC	±																		
ANGLES	±																		
MATERIAL		FINISH	SEE TABLE	WEIGHT		A100779C=2143309													
<table border="1"> <tr> <td>SCALE</td> <td>5:1</td> </tr> <tr> <td>SHEET</td> <td>1 OF 2</td> </tr> <tr> <td>REV</td> <td>C</td> </tr> </table>		SCALE	5:1	SHEET	1 OF 2	REV	C	CUSTOMER DRAWING											
SCALE	5:1																		
SHEET	1 OF 2																		
REV	C																		

LOC		DIST		REVISIONS			
AD	00	REV	DATE	DESCRIPTION	DATE	DWN	APVD
		-	-	SEE SHEET 1	-	-	-



COPLANAR MATED SIGNAL PATHS



	5.50	2143309-6
	4.90	2143309-5
	5.50	2143309-3
	4.90	2143309-2
FINISH	DIM M	PART NUMBER

REFER TO WWW.TE.COM FOR PRODUCT AVAILABILITY

THIS DRAWING IS A CONTROLLED DOCUMENT.		DWN	07APR2011	TE Connectivity
DIMENSIONS:		CHK	07APR2011	
mm		APVD	07APR2011	
TOLERANCES UNLESS OTHERWISE SPECIFIED:		NAME		
0 PLC	±	IMPACT, STD, RAM, 2 PAIR, 16 COLUMN, UNGUIDED OPEN END WALL SIGNAL MODULE, 0.39 EYELET		
1 PLC	±0.25	PRODUCT SPEC		
2 PLC	±0.13	APPLICATION SPEC		
3 PLC	±	SIZE		
4 PLC	±	CAGE CODE		
ANGLES	±	DRAWING NO		
MATERIAL	FINISH	WEIGHT		
SEE TABLE		A100779C=2143309		
CUSTOMER DRAWING		SCALE	5:1	SHEET 2 OF 2
		REV		C

单击下面可查看定价，库存，交付和生命周期等信息

[>>TE Connectivity\(泰科\)](#)