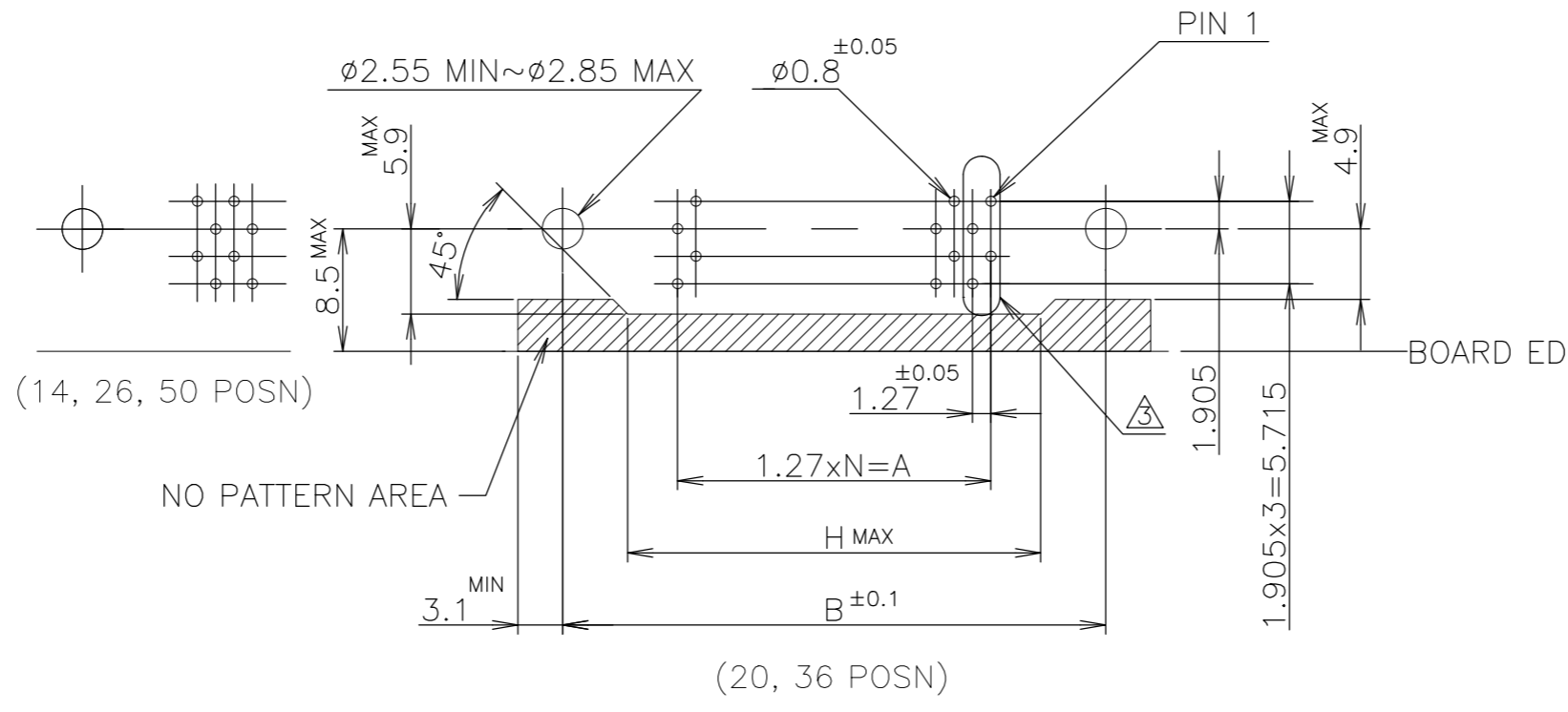
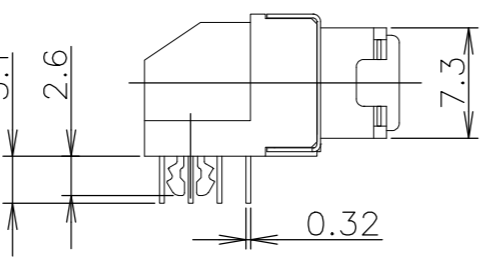
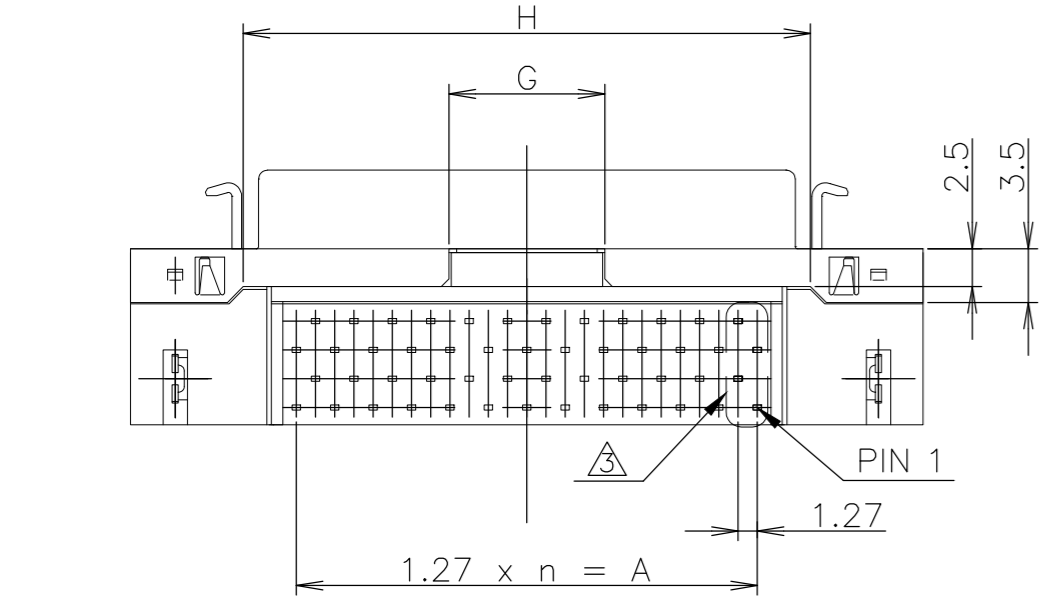
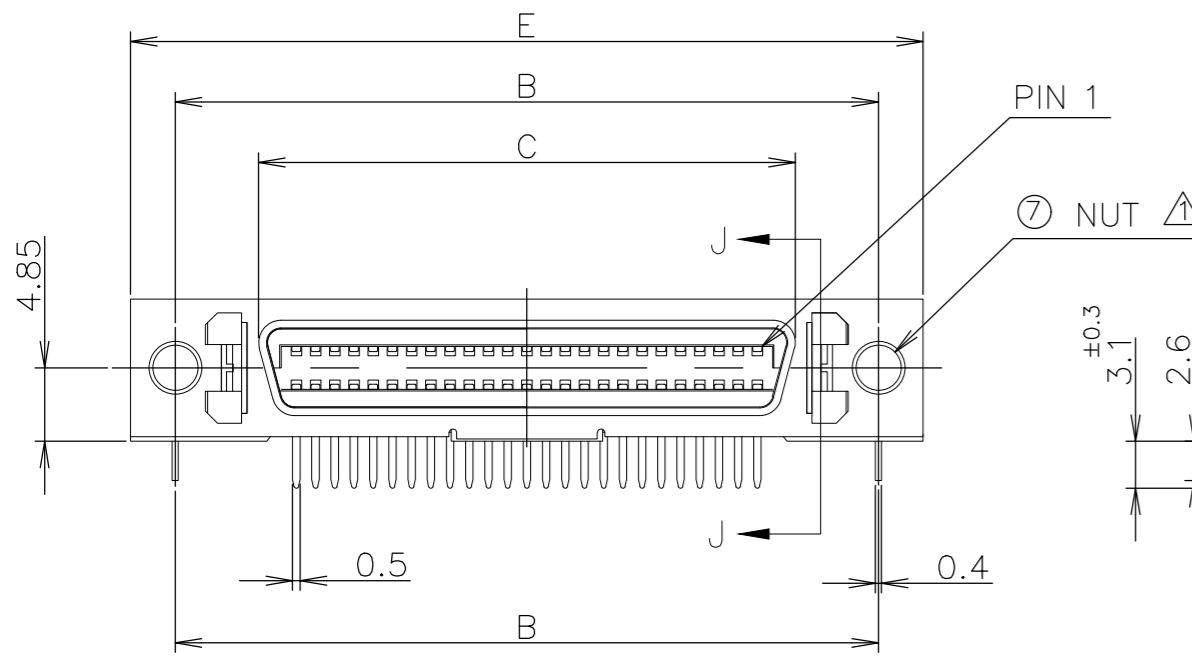
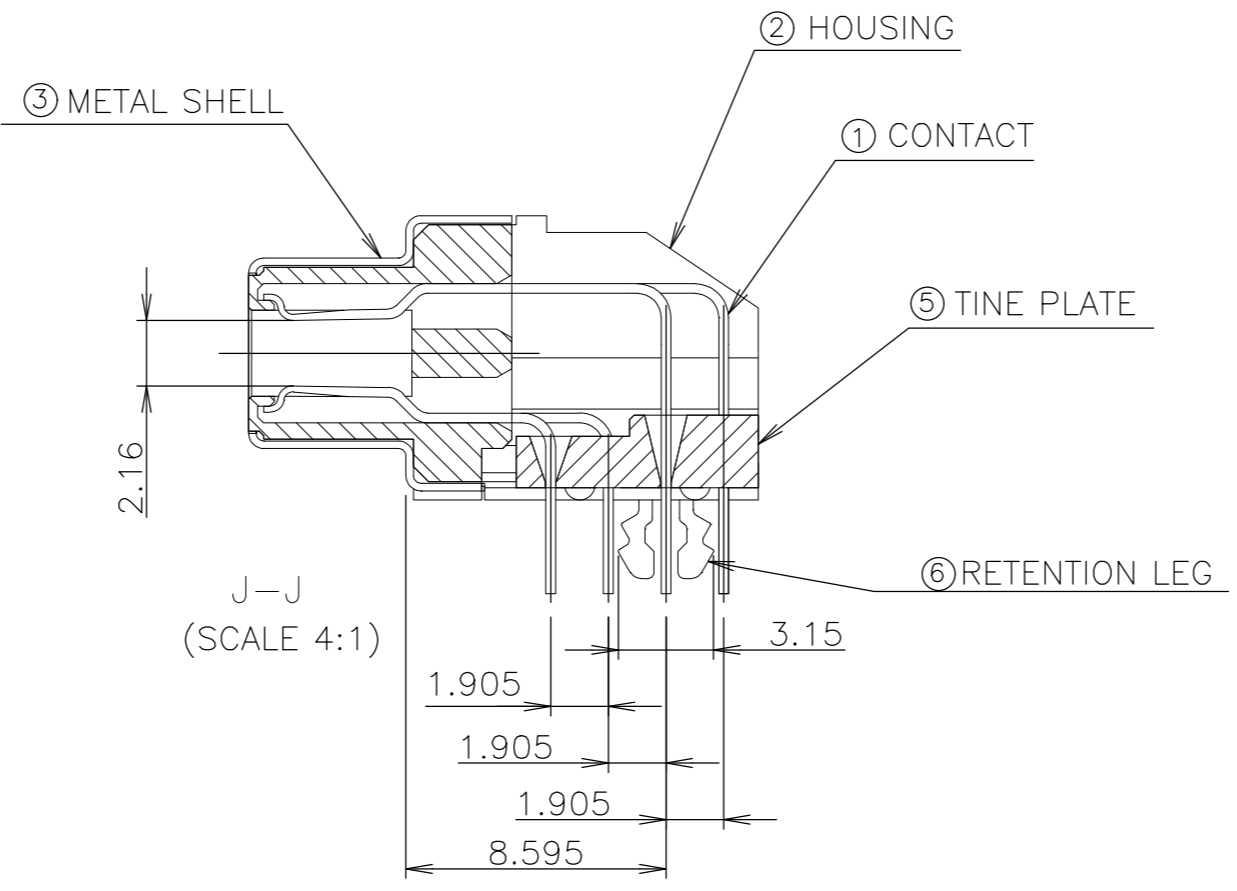
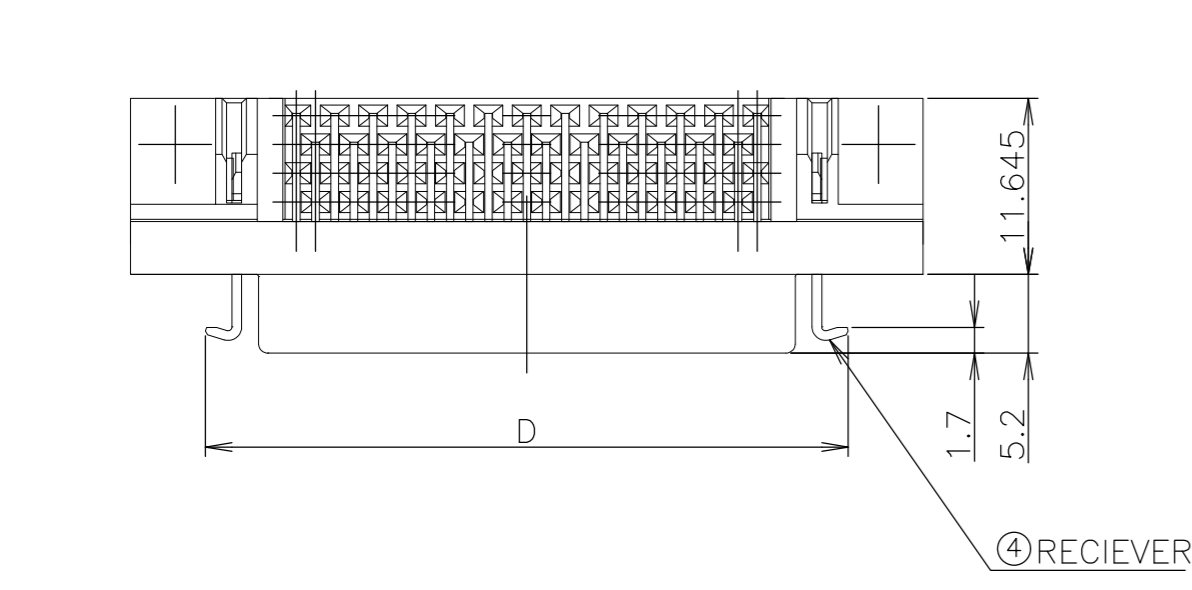


THIS DRAWING IS UNPUBLISHED. RELEASED FOR PUBLICATION  
 © COPYRIGHT - - ALL RIGHTS RESERVED.

REVISIONS				
P	LTR	DESCRIPTION	DATE	APVD
S		REVISED PER ECO-19-014246	22JAN2020	VM SH

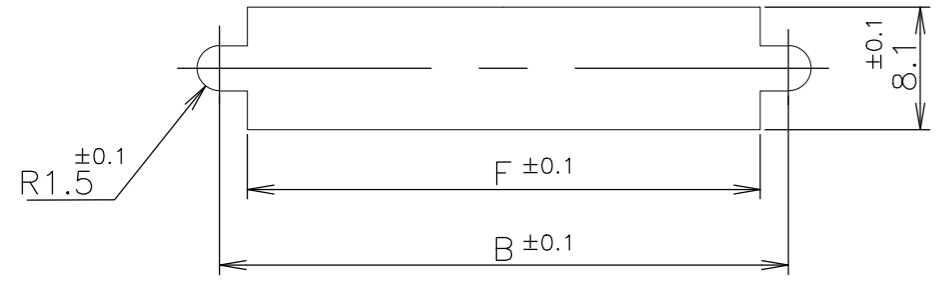


ITEM	(MATERIAL)	(FINISH)
①	COPPER ALLOY	NICKEL UNDER PLATE ALL OVER CONTACT AREA ; Au(0.0001) SOLDER TINE AREA ; TIN PLATE
② ⑤	PBT OR PA6T	COLOR : PBT BLACK PA6T NATURAL
③	STEEL THK0.25	NICKEL PLATE OVER COPPER UNDERPLATE
④	STAINLESS STEEL	
⑥	COPPER ALLOY	NICKEL UNDER PLATE ALL OVER. TIN PLATING ALL OVER.
⑦	STEEL	NICKEL PLATE OVER COPPER UNDERPLATE

△ RECOMMENDED SCREW SIZE ; M2.6 PANHEAD SCREW.( L=5 )  
 2 RECOMMENDED P.C BOARD THICKNESS ; 1.6mm±0.15  
 △ POST PATTERN AS SHOWN ON THIS END FOR ALL POSITION.

LEAD FREE

RECOMMENDED PC BOARD MOUNTING DIMMENSION COMPONENT SIDE



OBSOLETE	PA6T	37.5	10.3	42.8	52.40	42.50	35.48	46.50	30.48	24	50	1-5917738-7
OBSOLETE	PA6T	28.61	8.3	33.9	43.51	33.61	26.59	37.61	21.59	17	36	1-5917738-5
OBSOLETE	PBT	37.5	10.3	42.8	52.40	42.50	35.48	46.50	30.48	24	50	5917738-7
	PBT	28.61	8.3	33.9	43.51	33.61	26.59	37.61	21.59	17	36	5917738-5
	PBT	22.26	8.3	27.6	37.16	27.26	20.24	31.26	15.24	12	26	5917738-4
OBSOLETE	PBT	18.45	8.3	23.8	33.35	23.45	16.43	27.45	11.43	9	20	5917738-2
OBSOLETE	PBT	14.64	8.3	19.9	29.54	19.64	12.62	23.64	7.62	6	14	5917738-1

THIS DRAWING IS A CONTROLLED DOCUMENT.						DWN LEO ZHOU 30NOV04	TE Connectivity Ltd. CHAMP .050 SERIES(II) FMS-TYPE					
DIMENSIONS: 单位: 耗 mm						CHK STEVEN YAO 30NOV04						
TOLERANCES UNLESS OTHERWISE SPECIFIED: 一般公差						APVD JENOMOTO 30NOV04	PRODUCT SPEC 製品規格					
0 PLC ± 0.2						APPLICATION SPEC 取付適用規格						
1 PLC ± 0.2						WEIGHT						
2 PLC ± 0.2						SCALE 尺度 2:1						
3 PLC ± 0.2						SHEET 1 of 1						
4 PLC ± 0.2						REV S						
ANGLES ± 3						CUSTOMER DRAWING						
MATERIAL 材料						SIZE A2						
FINISH 仕上						CAGE CODE 00779						
						DRAWING NO. 番号 C=5917738						
						RESTRICTED TO						

单击下面可查看定价，库存，交付和生命周期等信息

[>>TE Connectivity\(泰科\)](#)