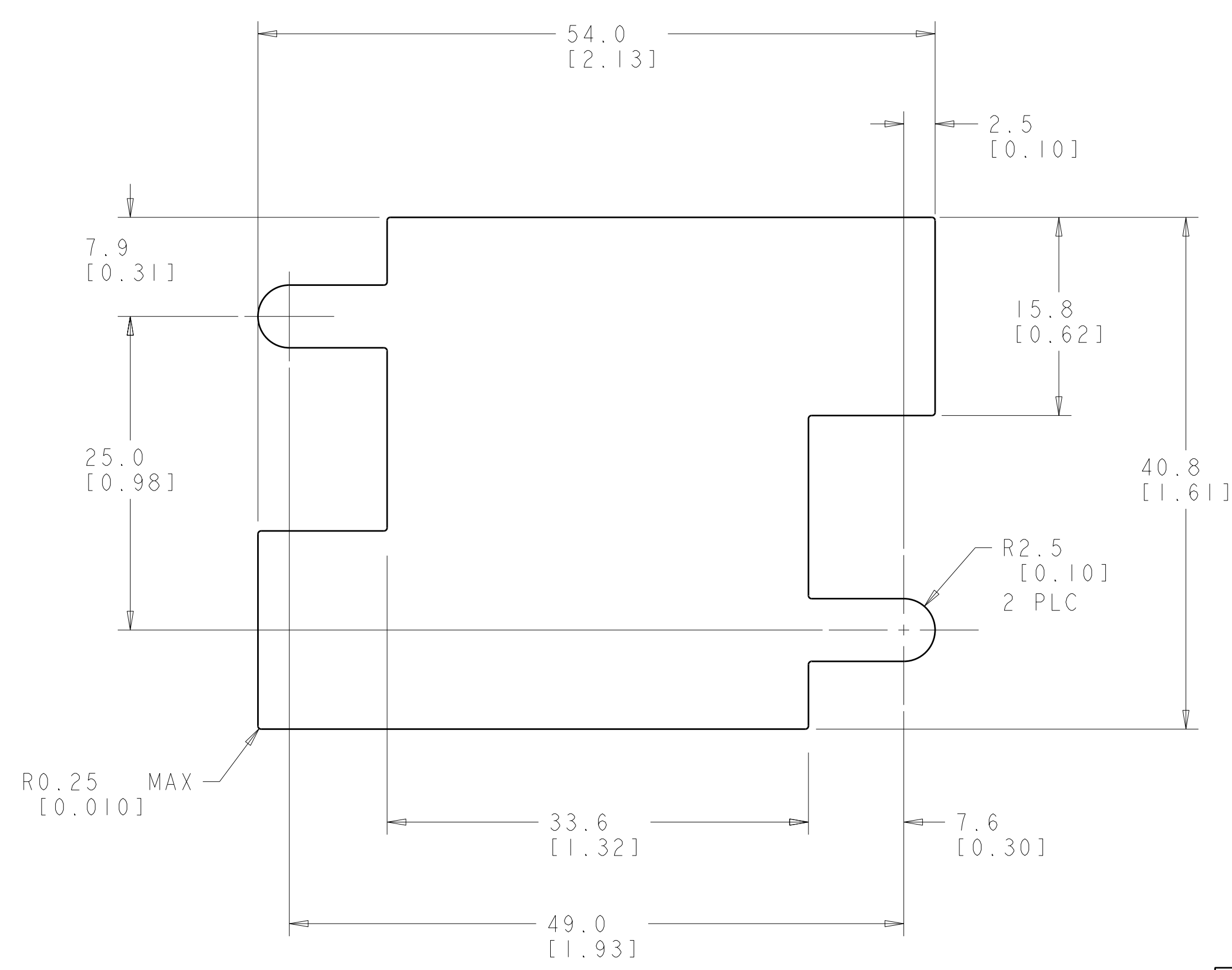
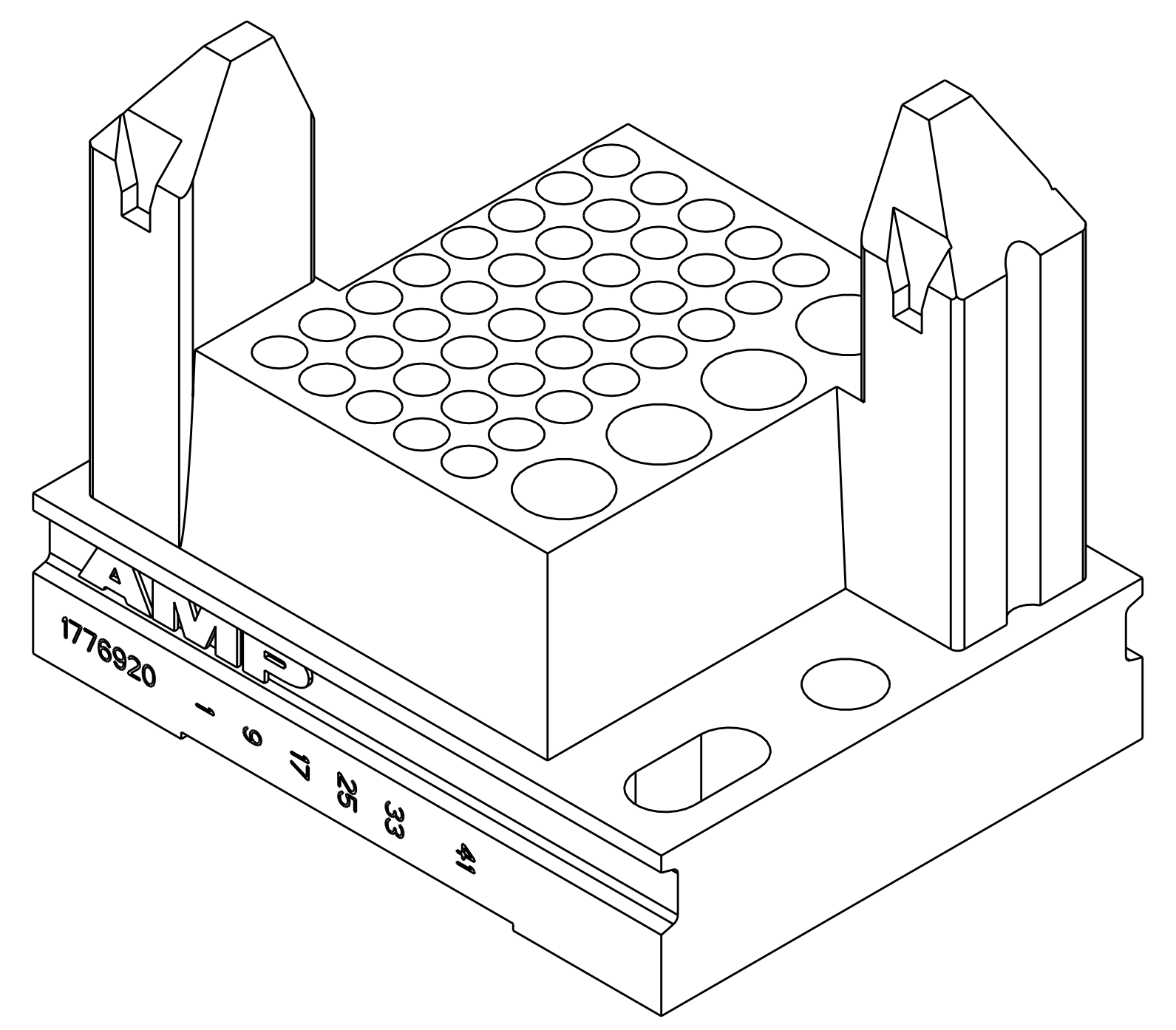
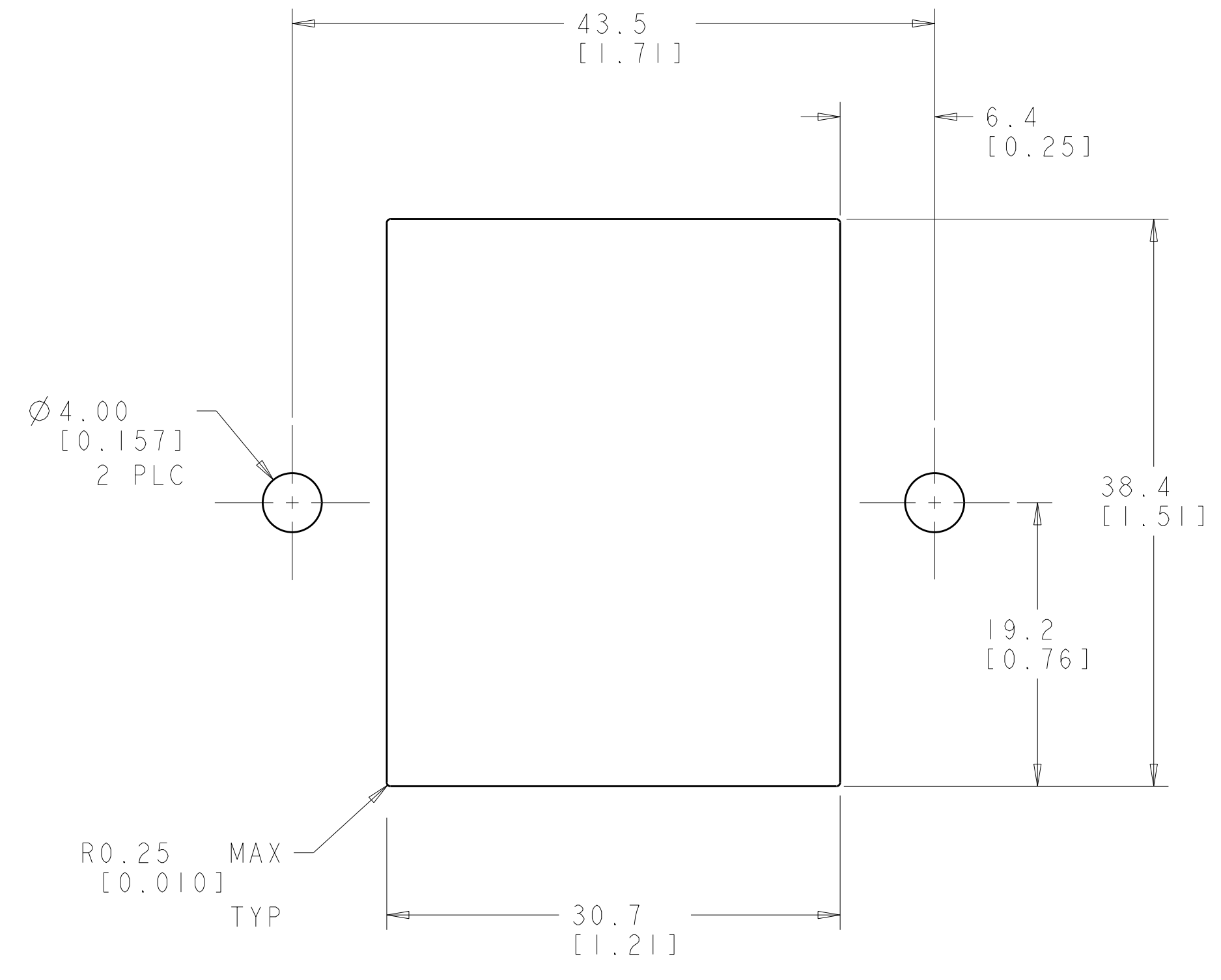
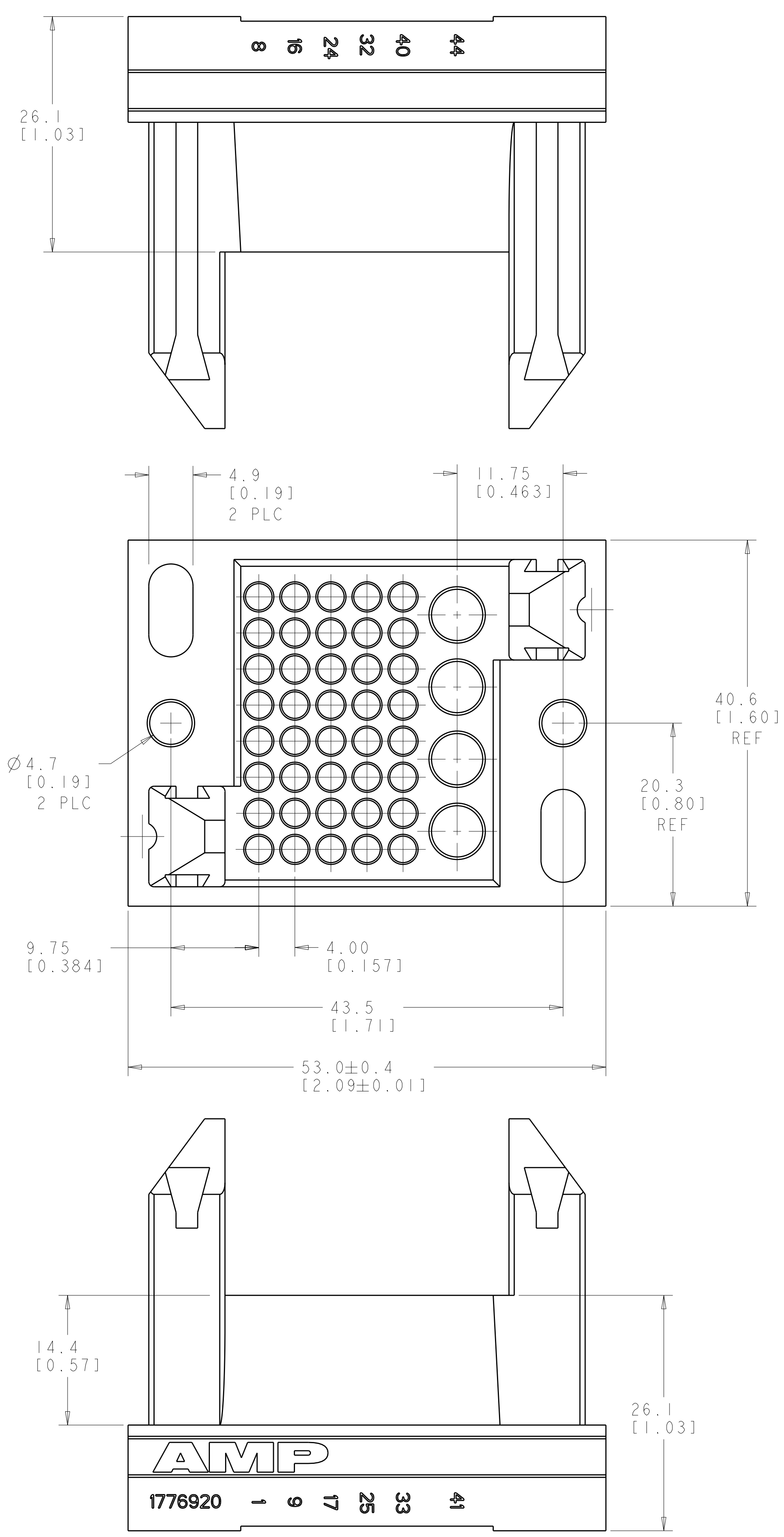


LOC	DIST	REV	DATE	BY	APPD
FT	0	A	200206	SW	GS



1. POSITIONS 1-40 ARE FOR SIZE 16 CONTACTS.
2. POSITIONS 41-44 ARE FOR 3mm CONTACTS.
3. INSERTS ARE NOT REQUIRED WHEN FLOAT MOUNTING.
4. ALL DIMENSIONS EXCEPT PANEL CUTOUTS ARE FOR REFERENCE ONLY.

1776920-1
PART NUMBER

<small>THIS DRAWING IS UNPUBLISHED. RELEASED FOR PUBLICATION. BY TYCO ELECTRONICS CORPORATION, ALL RIGHTS RESERVED.</small>		DWN S. WELDON 200206 CHK G. STEINHAUER 200206 APVD G. STEINHAUER 200206	Tyco Electronics Harrisburg, PA 17105-3608
DIMENSIONS: mm 	TOLERANCES UNLESS OTHERWISE SPECIFIED: 9 PLC ± 8 PLC ± 5 PLC ± 4 PLC ± ANGLES ±	NAME PLUG HOUSING, 44 POSITION, Multi Pin Plus, AMPPOWER PRODUCT SPEC APPLICATION SPEC	SIZE CAGE CODE DRAWING NO RESTRICTED TO A 00779 C=1776920
MATERIAL	FINISH	WEIGHT	CUSTOMER DRAWING
		SCALE 3:1	SHEET 1 OF 1 REV A

单击下面可查看定价，库存，交付和生命周期等信息

[>>TE Connectivity\(泰科\)](#)