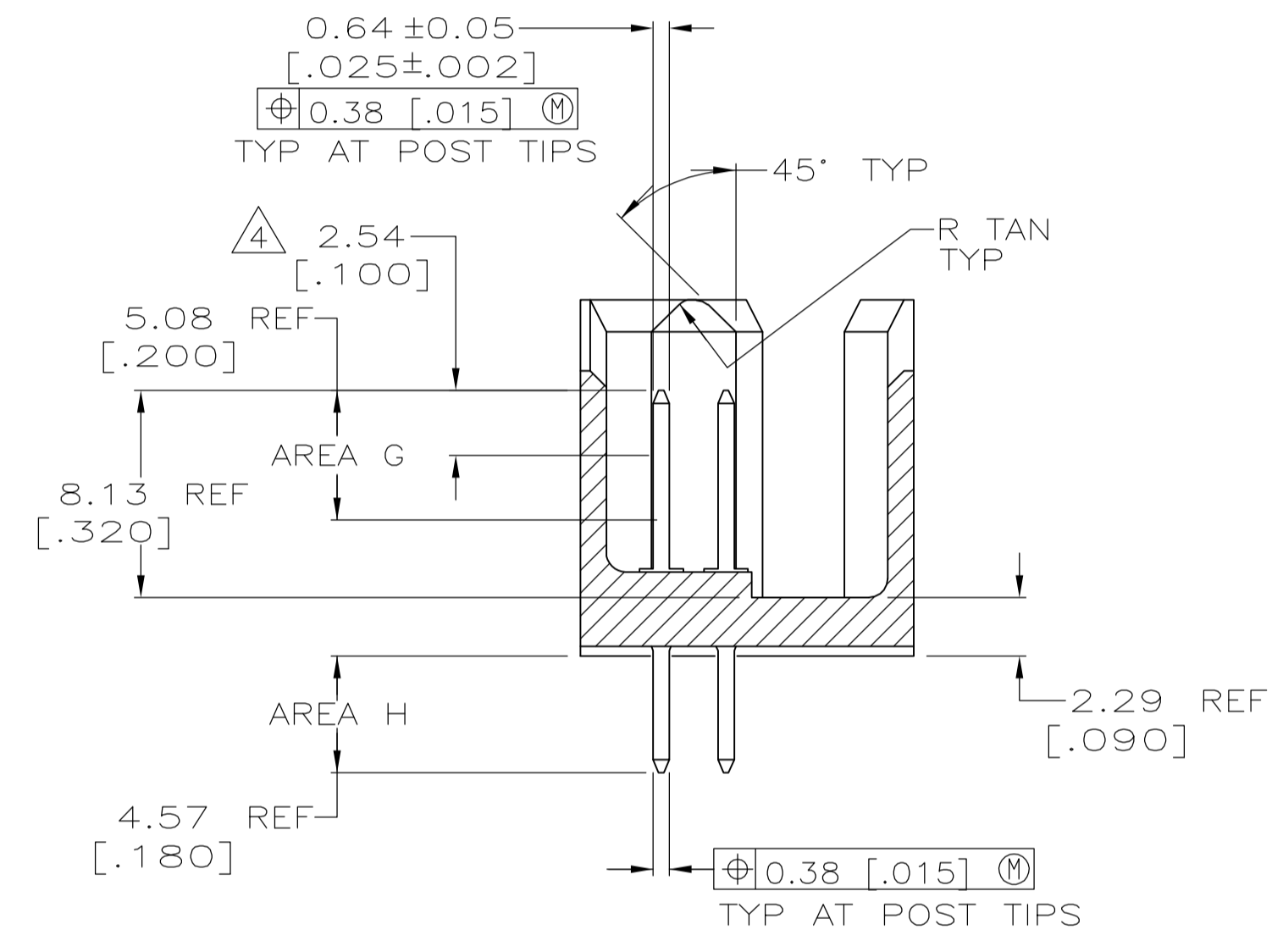
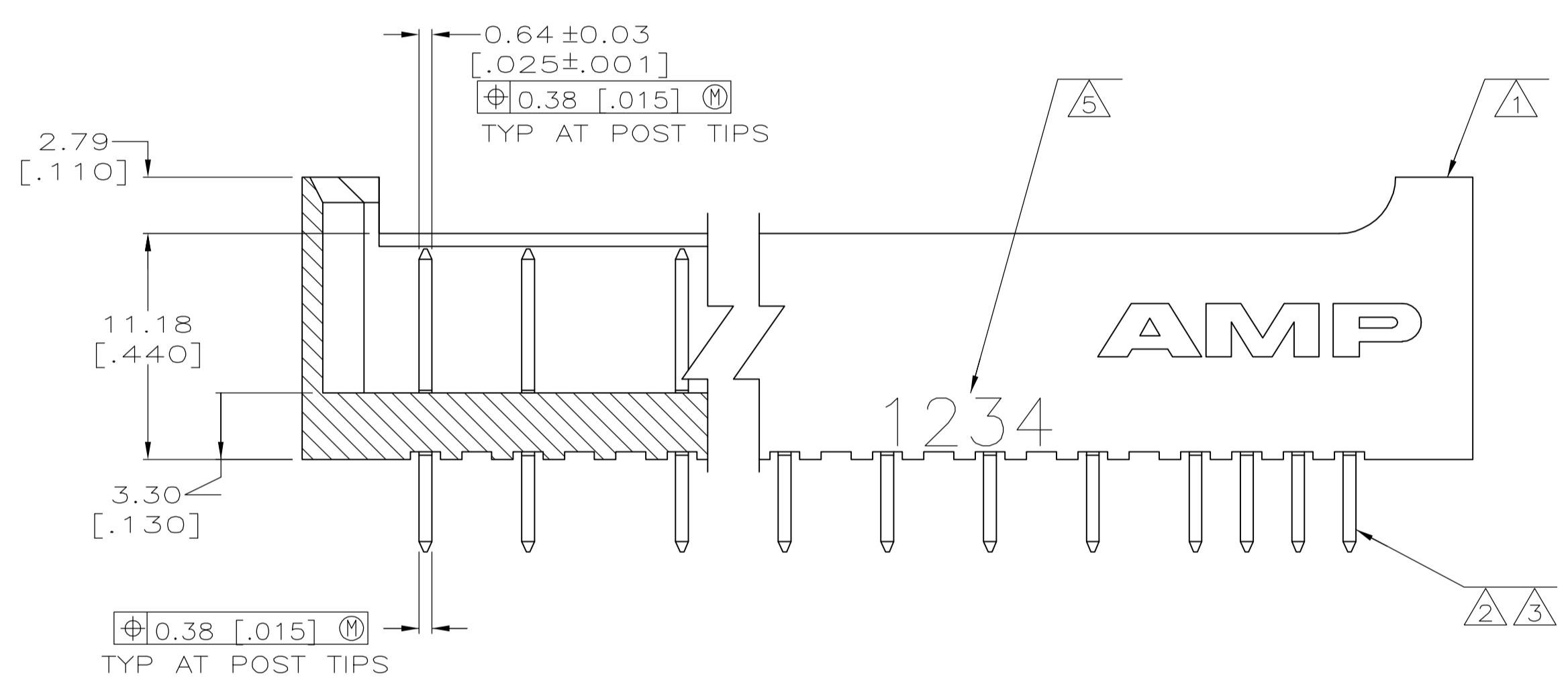
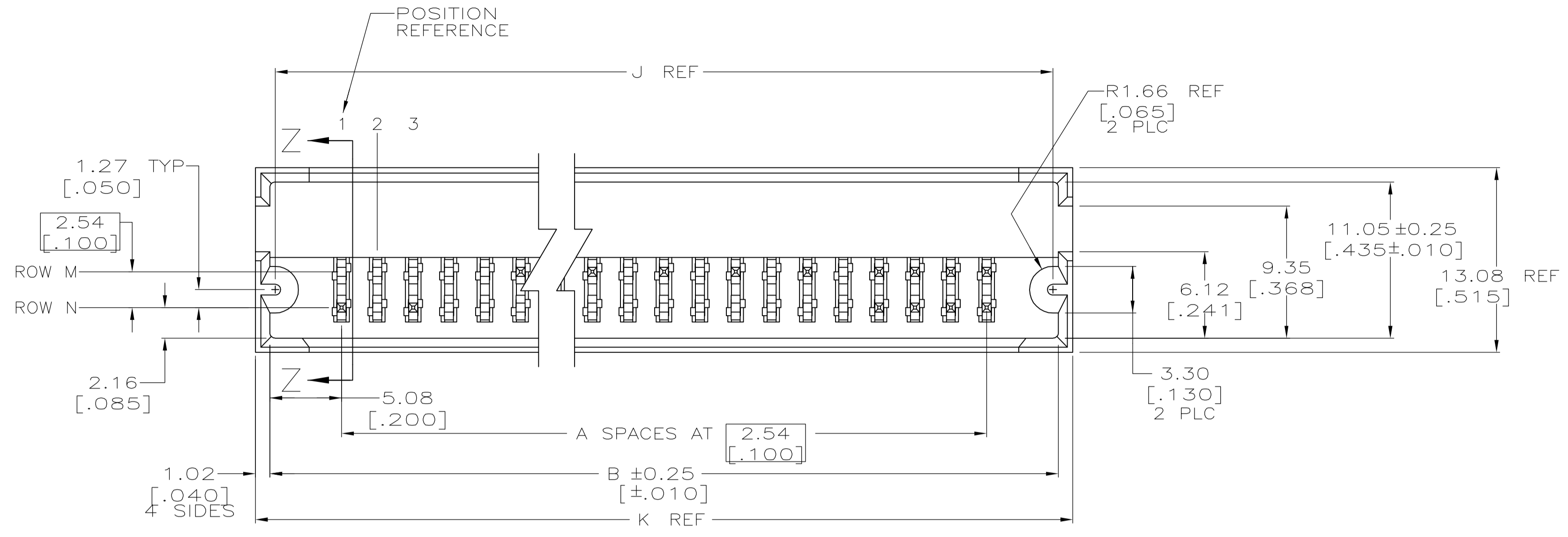
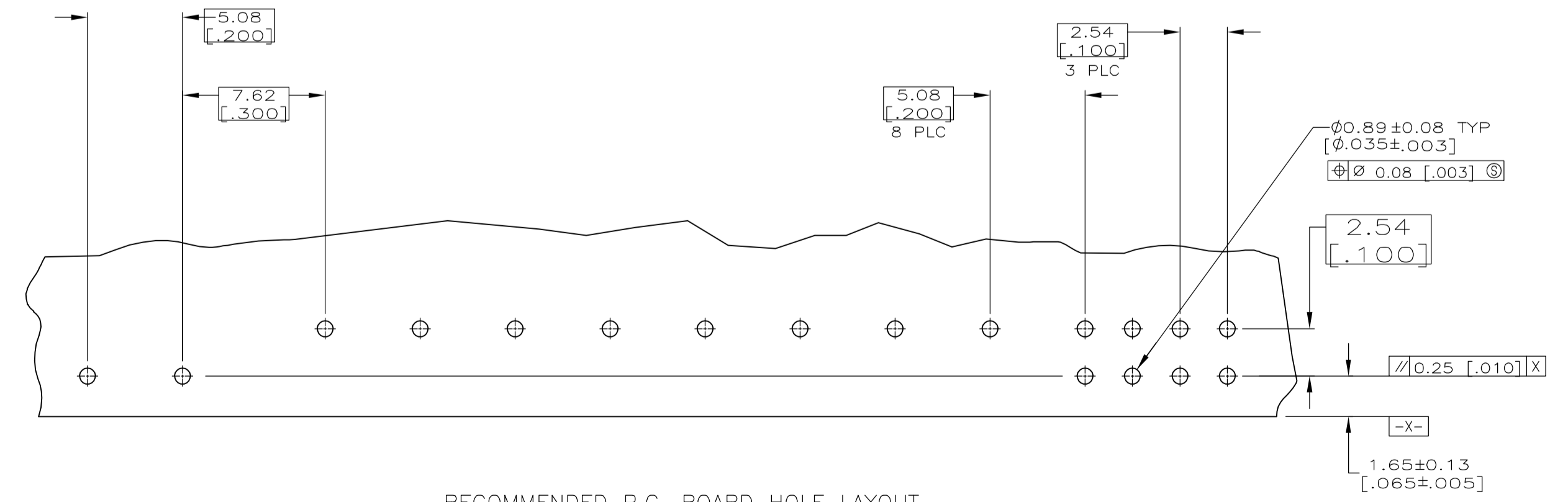


LOC		DIST		REVISIONS			
P	LTR	DESCRIPTION	DATE	DWN	APVD		
A1		ECO-05-16253	30JAN06	MB	JO		



SECTION Z-Z
ROTATED 90° CW



RECOMMENDED P.C. BOARD HOLE LAYOUT

- △ HOUSING: GLASS-FILLED NYLON.
- △ POST: COPPER ALLOY.
- △ POST FINISH: 0.00076 [.000030] GOLD IN AREA G, 0.00254-0.00508 [.000100-.000200] BRIGHT TIN-LEAD IN AREA H, ALL OVER 0.00127 [.000050] NICKEL.
- △ POINT OF MEASUREMENT FOR PLATING THICKNESS.
- △ RECESSED DATE CODE.
- 6. CSA LOGO HOT STAMPED WHITE ON HOUSING.
- △ POST FINISH: 0.00076 [.000030] GOLD IN AREA G, 0.00254-0.00508 [.000100-.000200] MATTE TIN IN AREA H, ALL OVER 0.00127 [.000050] NICKEL.
- △ ROHS 2002/95/EC COMPLIANT.

FINISH	ROW M	ROW N	K	J	B	A	NO OF POSN	PART NUMBER
7	1-5,7,9,11,13 15,17,19,21	2,4-21	73.15 [2.880]	70.36 [2.770]	71.12 [2.800]	24	18/50	5-147343-1
3	1-5,7,9,11,13 15,17,19,21	2,4-21	73.15 [2.880]	70.36 [2.770]	71.12 [2.800]	24	18/50	147343-1

POST OMITTED

THIS DRAWING IS A CONTROLLED DOCUMENT.		DWN S. HAYMAKER	05NOV99	tyco Electronics	Tyco Electronics Corporation Harrisburg, PA 17105-3608	
DIMENSIONS: mm [INCHES]		CHK J. GESFORD	05NOV99		NAME	HEADER ASSY, MOD II, DOUBLE ROW, 2.54 X 2.54 [.100 X .100] CL, 0.64 [.025] SQUARE POST, SELECT LOAD
TOLERANCES UNLESS OTHERWISE SPECIFIED:		APVD J. GESFORD	05NOV99	PRODUCT SPEC	SIZE CAGE CODE DRAWING NO RESTRICTED TO	
0 PLC	± -			APPLICATION SPEC		
1 PLC	± -			WEIGHT	-	
2 PLC	± -			MATERIAL	-	
3 PLC	± 0.13[.005]			FINISH	SEE TABLE	
4 PLC	± -			CUSTOMER DRAWING	A1 00779 147343	
ANGLES	± -			SCALE	4:1 SHEET 1 OF 1 REV A1	

单击下面可查看定价，库存，交付和生命周期等信息

[>>TE Connectivity\(泰科\)](#)