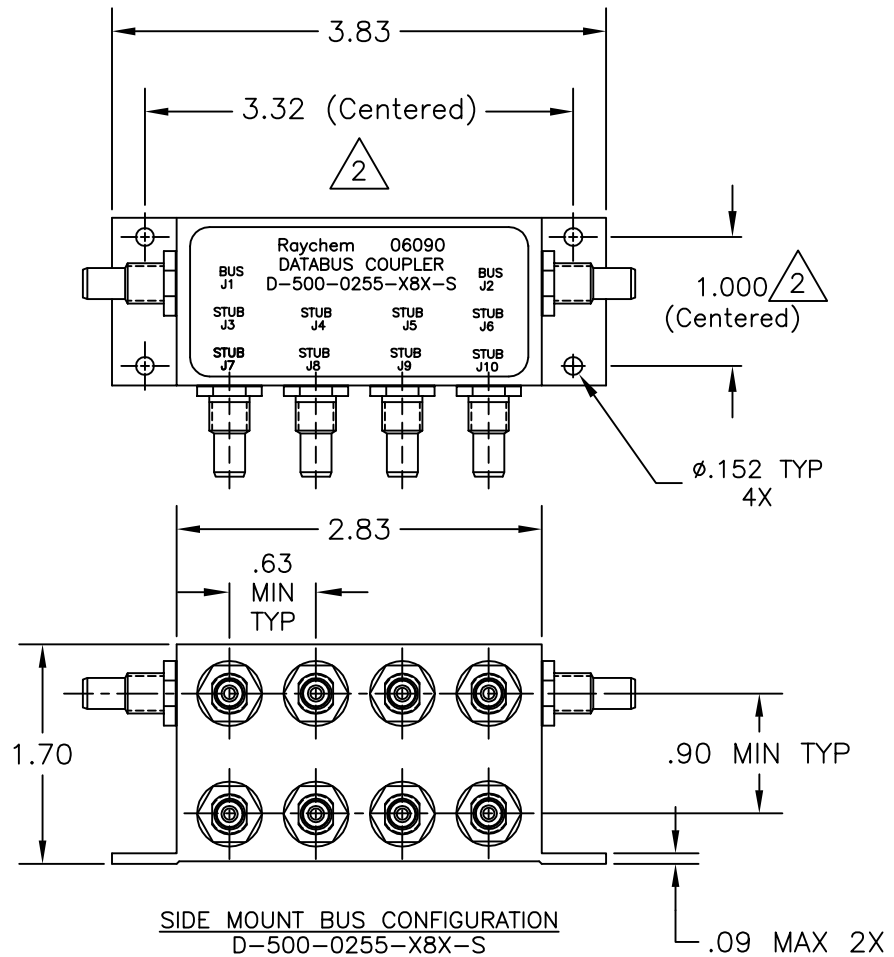
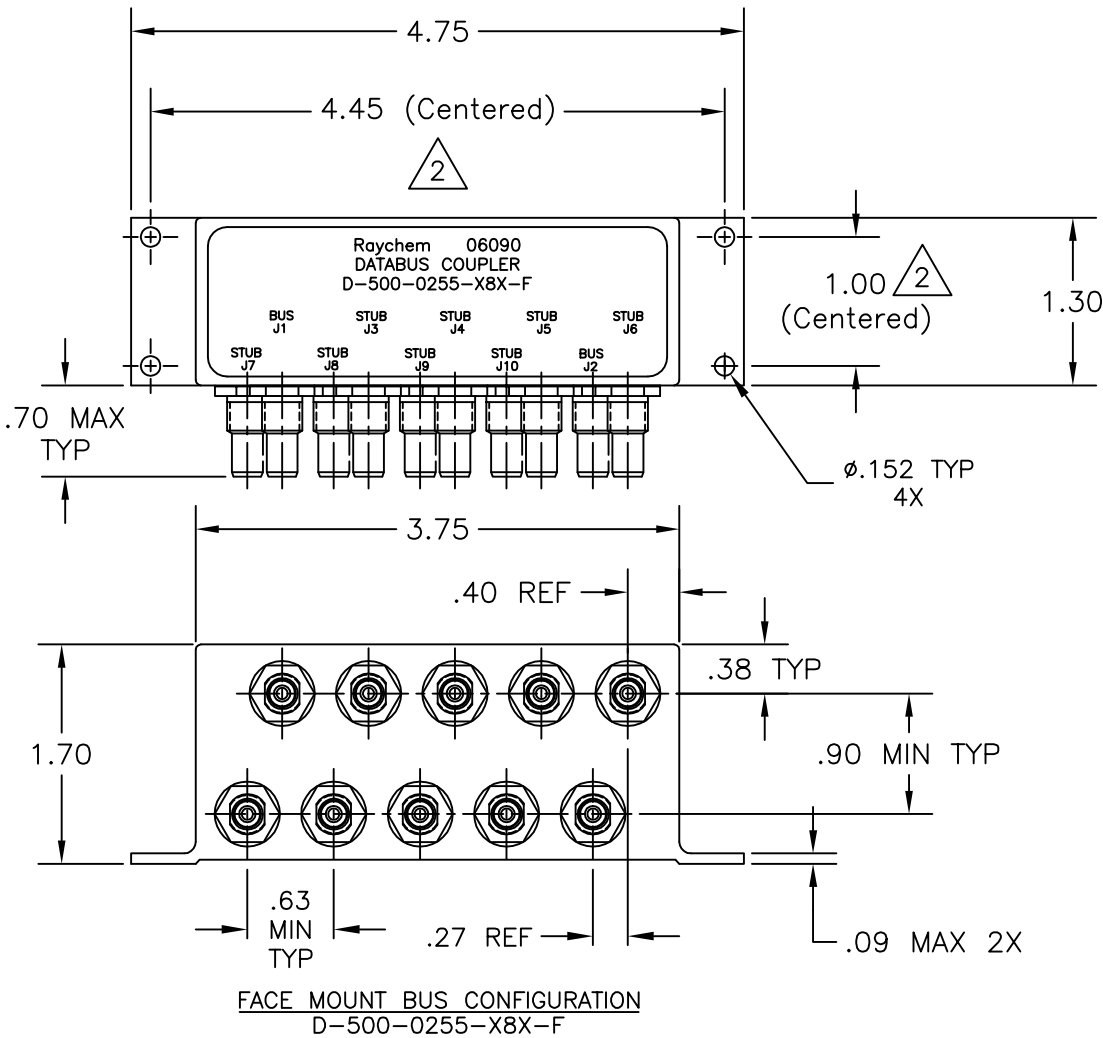


If this document is printed it becomes uncontrolled. Check for the latest revision

REVISIONS		DATE	APPVD
LTR	DESCRIPTION		
A	INITIAL RELEASE OF DWG PER ECO-07-022201	9/20/07	GMR



© 2007 Tyco Electronics Corporation. All Rights Reserved.

	Raychem Databus	
	300 Constitution Drive Menlo Park, CA 94025 U.S.A.	

CUSTOMER DRAWING				
UNLESS OTHERWISE SPECIFIED DIMENSIONS ARE IN INCHES, AND TOLERANCES ARE: .XXX ± .010 .XX ± .03 ANGLES .X ± --	DRAWN ZS.Orban	DATE 7/31/07	TITLE 8 STUB DATABUS BOX COUPLER FACE AND SIDE CONFIGURATIONS WITH TRIAXIAL CONNECTORS	
	APPROVED T.Ratzlaff	DATE 7/31/07		
	CAD NAME D-500-0255-X8X-X_CD1		SIZE A	CODE IDENT. NO. 06090
	WEIGHT SEE NOTE		DWG. NO. D-500-0255-X8X-X	SCALE: FULL
THIRD ANGLE PROJECTION		DO NOT SCALE THIS DRAWING		

NOTES:

1. ORIENTATION OF CONNECTORS IS APPROXIMATELY AS SHOWN.
2. MOUNTING HOLE PATTERN IS SYMMETRICAL TO MOUNTING FLANGE.
3. THREADED CONNECTORS ARE SHOWN HERE. ACTUAL CONNECTOR TYPES WILL VARY DEPENDING ON ORDER CONFIGURATIONS. REFER TO PART NUMBER SCHEMATIC FOR AVAILABLE ORDERING OPTIONS.
4. WEIGHT (MAX): D-500-0255-X8X-F, [264 grams]
D-500-0255-X8X-S, [235 grams]
5. AVAILABLE CONNECTOR JACK TYPES:

CONNECTOR JACKS	MATING CONNECTOR (PLUGS)	TYPE	POLARITY
DK-621-0412-P/S	DK-621-0411-S/P	THREADED	N/A
DK-621-0434-1P/S	DK-621-0433-1S/P	BAYONET	'A'
DK-621-0436-2P/S	DK-621-0435-2S/P	BAYONET	'B'
DK-621-0438-3P/S	DK-621-0437-3S/P	BAYONET	'C'
DK-621-0440-4P/S	DK-621-0339-4S/P	BAYONET	'D'

6.0 PERFORMANCE

- 6.1 THIS COUPLER IS DESIGNED TO MEET THE APPLICABLE FUNCTIONAL REQUIREMENT OF RAYCHEM SPECIFICATION D-6021 AND USAF 8912007.
- 6.2 THE COUPLER SHALL OPERATE UNDER ANY OF THE ENVIRONMENTAL SERVICE CONDITIONS AS SPECIFIED IN MIL-E-5400, CLASS ∇ UPGRADED TO 125°C CONTINUOUS OPERATION.
- 6.3 ALTITUDE: SEA LEVEL TO 75,000 FEET

PART NUMBER SCHEMATIC

D-500-0255-X 8 X -X

BOX TYPE

F=FACE
S=SIDE

STUB CONNECTOR TYPE

A = JACK STYLE POLARIZATION A
B = JACK STYLE POLARIZATION B
C = JACK STYLE POLARIZATION C
D = JACK STYLE POLARIZATION D
T = JACK STYLE THREADED

NUMBER OF STUBS

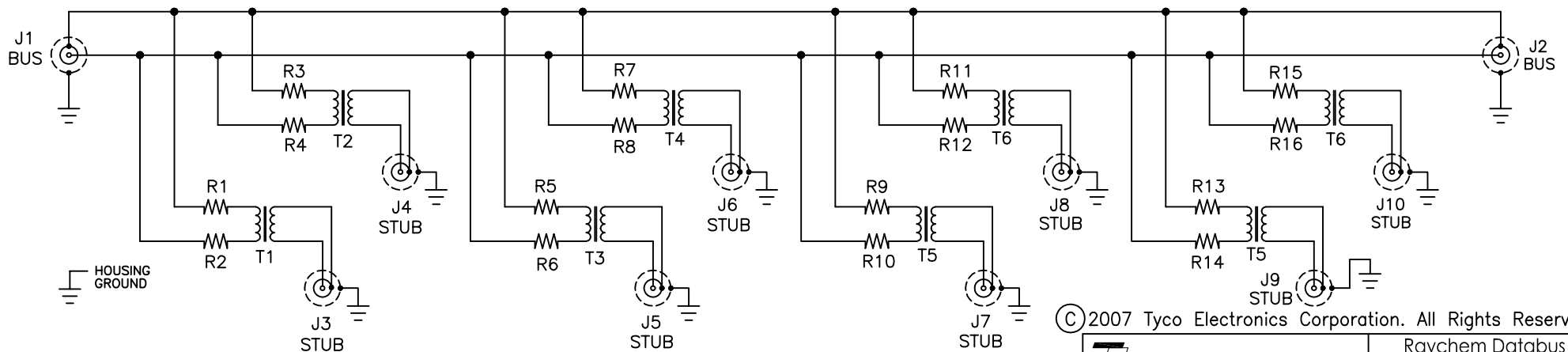
BUS CONNECTOR TYPE

A = JACK STYLE POLARIZATION A
B = JACK STYLE POLARIZATION B
C = JACK STYLE POLARIZATION C
D = JACK STYLE POLARIZATION D
T = JACK STYLE THREADED

BOX STYLE

COUPLER

SCHEMATIC DIAGRAM



© 2007 Tyco Electronics Corporation. All Rights Reserved.

CUSTOMER DRAWING				Raychem Databus	
				300 Constitution Drive Menlo Park, CA 94025 U.S.A.	
DRAWN ZS.Orban	DATE 7/31/07	SIZE A	CAGE CODE 06090	DWG. NO. D-500-0255-X8X-X	REV A
CAD FILE D-500-0255-X8X-X_CD2		DO NOT SCALE THIS DRAWING		SHEET 2 OF 2	

单击下面可查看定价，库存，交付和生命周期等信息

[>>TE Connectivity\(泰科\)](#)