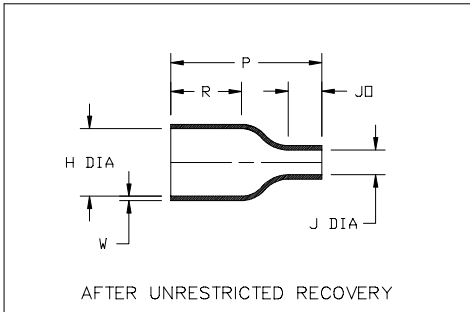
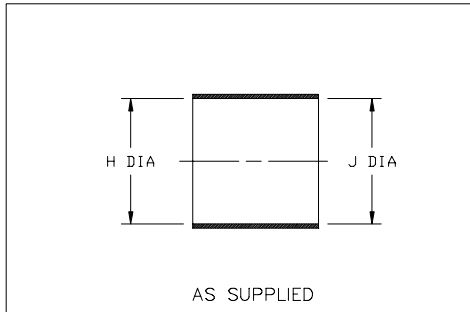


Thermofit<sup>®</sup> Molded Parts  
 Specification Control Drawing  
 Limited Distribution

Part Number : 202A174-X-37  
 Description : Boot, Straight

NOTES

- All dimensions are in  $\frac{\text{inches}}{\text{[millimeters]}}$
- Dimensions appearing in table are as follows:  
 a - As Supplied  
 b - After Unrestricted Recovery
- Coating is optional. As supplied dimensions appearing in table are for uncoated parts. When coating is added, entry diameters will be reduced by .06 max.



| PART NUMBER  | H              |                | J              |               | P               | R              | JO             | W            |
|--------------|----------------|----------------|----------------|---------------|-----------------|----------------|----------------|--------------|
|              | Min            | Max            | Min            | Max           |                 |                |                |              |
|              | a              | b              | a              | b             | ±10%            | ±10%           | Ref            | ±20%         |
| 202A174-X-37 | 2.04<br>[51,8] | 1.39<br>[35,3] | 2.04<br>[51,8] | .63<br>[16,0] | 4.12<br>[104,6] | 1.50<br>[38,1] | 1.65<br>[41,0] | .13<br>[3,3] |

**If this document is printed it becomes uncontrolled.  
 Check for the latest revision.**



RAYCHEM CORPORATION  
 300 CONSTITUTION DRIVE  
 MENLO PARK, CALIFORNIA 94025

Revision : A  
 Date : 5/7/97

Part Number : 202A174-X-37  
 Description : Boot, Overexpanded

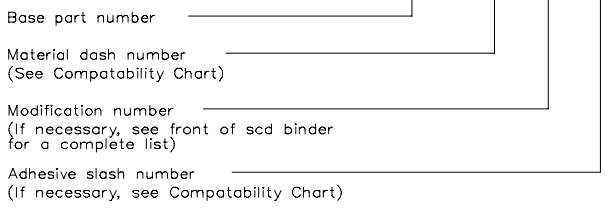
Thermofit<sup>®</sup> Molded Parts  
 Specification Control Drawing  
 Limited Distribution

Part Number : 202A174-X-37  
 Description : Boot, Overexpanded

| MATERIAL DASH NO. | MATERIAL DESCRIPTION   | RT SPEC | COATING SLASH NO. | COATING S NO. | COATING DESCRIPTION |
|-------------------|------------------------|---------|-------------------|---------------|---------------------|
| -3                | Polyolefin, Semi-Rigid | RT-301  | /42,86            | S-1017,S-1048 | Adhesive            |
|                   |                        |         |                   |               |                     |
|                   |                        |         |                   |               |                     |
|                   |                        |         |                   |               |                     |

ORDERING INFORMATION

202A174 -X- 37 /XX



THIS DRAWING IS SUBJECT TO CHANGE WITHOUT NOTICE; CONSULT YOUR NEAREST FIELD REPRESENTATIVE FOR CURRENT REVISION



RAYCHEM CORPORATION  
 300 CONSTITUTION DRIVE  
 MENLO PARK, CALIFORNIA 94025

Revision : A  
 Date : 5/7/97

Part Number : 202A174-X-37  
 Description : Boot, Overexpanded

单击下面可查看定价，库存，交付和生命周期等信息

[>>TE Connectivity\(泰科\)](#)