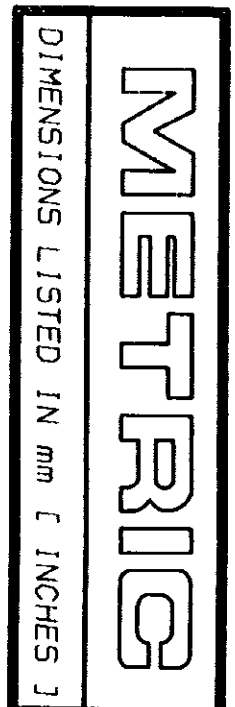
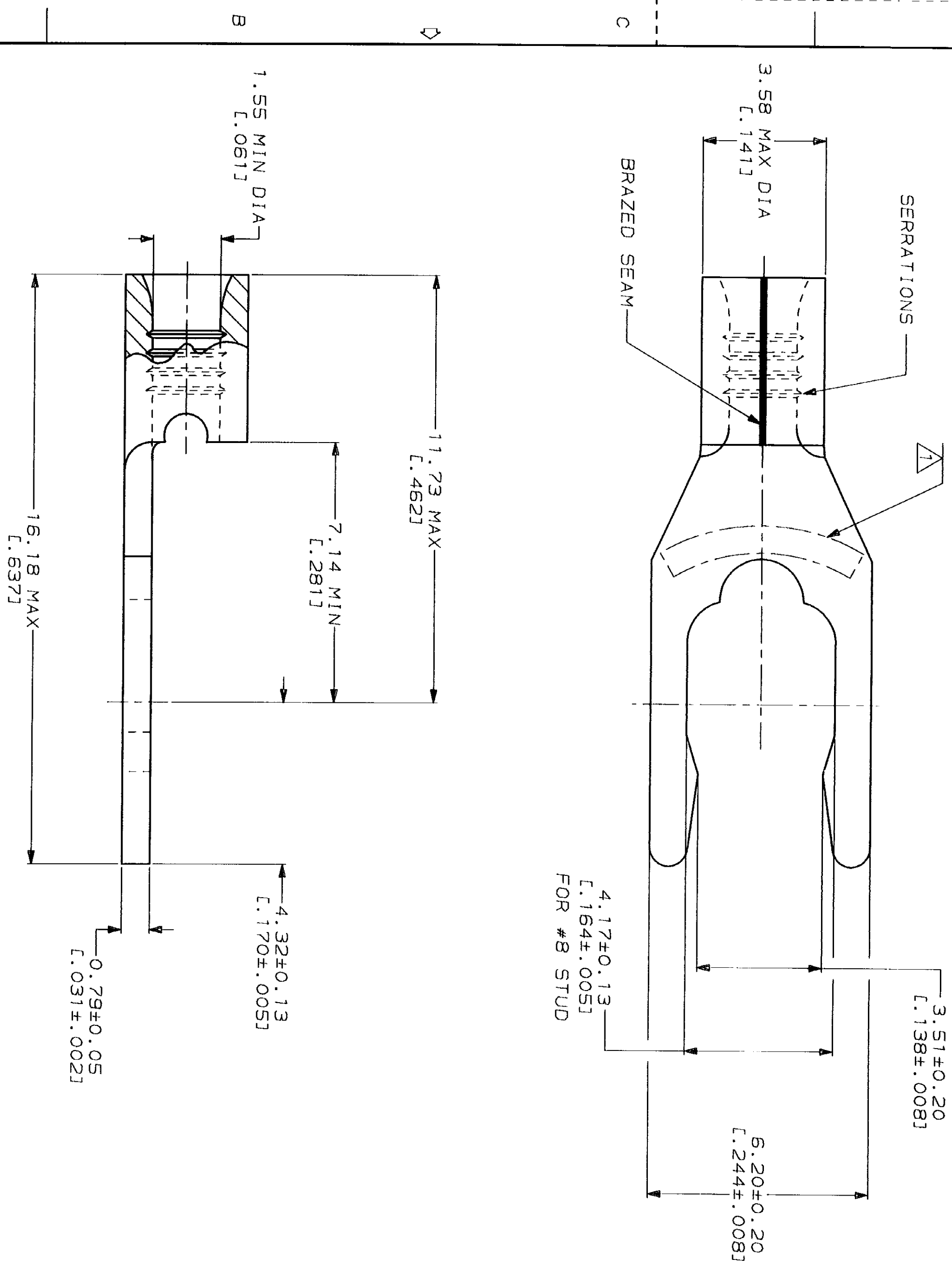


| LOC | DIST | P | F | ZONE | LTR | DESCRIPTION | DATE | APPD |
|-----|------|---|---|------|-----|--------------------------------------|---------|--------|
| G | 14 | | | B | | REV. RDRW, & SM PKG PER 0720-0040-93 | 3-29-93 | JP CAP |



| AMP WIRE RANGE | | E13288 Listed | |
|---|-------------------|--|-------------------|
| 22-16 AWG | SOLID OR STRANDED | 22-16 AWG | SOLID OR STRANDED |
| LR7189 Certified 22-16 AWG SOLID OR STRANDED | | MILITARY P/N AND CLASS NOT APPLICABLE | |

STAMP 85 AMP 22-16* APPROX AS SHOWN
 22-16 TERMINALS ARE STAMPED 22-18 IN
 ACCORDANCE WITH MILITARY SPECIFICATION
 MIL-T-7928, COMMERCIAL WIRE RANGE IS 22-16
 85 INDICATES STUD SIZE



| | | | |
|--|--|---|---|
| AMP INCORPORATED CUSTOMER SERVICE SYSTEMS | | MAX RECOMMENDED OPERATING TEMPERATURE: 170°C MAX | |
| FOR ADDITIONAL PRODUCT INFORMATION OR COPIES OF DRAWINGS AND TECHNICAL DOCUMENTS | PRODUCT INFORMATION CENTER 1-800-522-6752 | VOLTAGE RATING: | NOT APPLICABLE |
| FOR APPLICATION TOOLING INFORMATION | TOOLING ASSISTANCE CENTER 1-800-722-1111 | WIRE CROSS SECTIONAL AREA RANGE: | 0.26-1.65mm ² (509-3,2601 CIR MILS) SOLID OR STRANDED |
| FOR ORDER ENTRY | 1-800-526-5142 | THIS DRAWING IS A CONTROLLED DOCUMENT FOR AMP INCORPORATED. IT IS SUBJECT TO CHANGE AND THE CONTROLLING ENGINEERING ORGANIZATION SHOULD BE CONTACTED FOR THE LATEST REVISION. | |

| | |
|---|-----------------------------|
| DO NOT SCALE PRINT. UNLESS SPECIFIED DIMENSIONS IN mm - (INCHES) - TOLERANCES ON: | DR 3-29-93 TA BRINKMAN |
| 1 PLG DEC ± | CHK 3-29-93 DA PATTERSON |
| 2 PLG DEC ± | APPD 3-29-93 DE MILLER |
| 3 PLG DEC ± | APPD 3-29-93 JL MECKLEY |
| ANGLES | PRODUCT SPEC |
| MATERIAL | APPLICATION SPEC |
| PHOSPHOR BRONZE PER ASTM B-103 ANNEALED | WEIGHT |
| FINISH | |
| TIN PLATE | |
| 0.00254 [L.000100] MIN THK PER MIL-T-10727 | |

| QUANTITY | PACKAGING TYPE | PART NO |
|----------|------------------|-----------|
| 100 | LOOSE PIECE, BOX | 8-53831-1 |
| 5000 | ON TAPE | 53831-2 |
| --- | LOOSE PIECE | 53831-1 |

| | | | |
|-------|-----------|---|-------|
| AMP | | AMP Incorporated Harrisburg, PA 17105-3608 | |
| NAME | | TERMINAL, SHORT SPRING SPADE, SOLISTRAND™ | |
| SIZE | CAGE CODE | DRAWING NO | |
| SCALE | 10:1 | 00779 | 53831 |
| SCALE | 10:1 | | |

单击下面可查看定价，库存，交付和生命周期等信息

[>>TE Connectivity\(泰科\)](#)