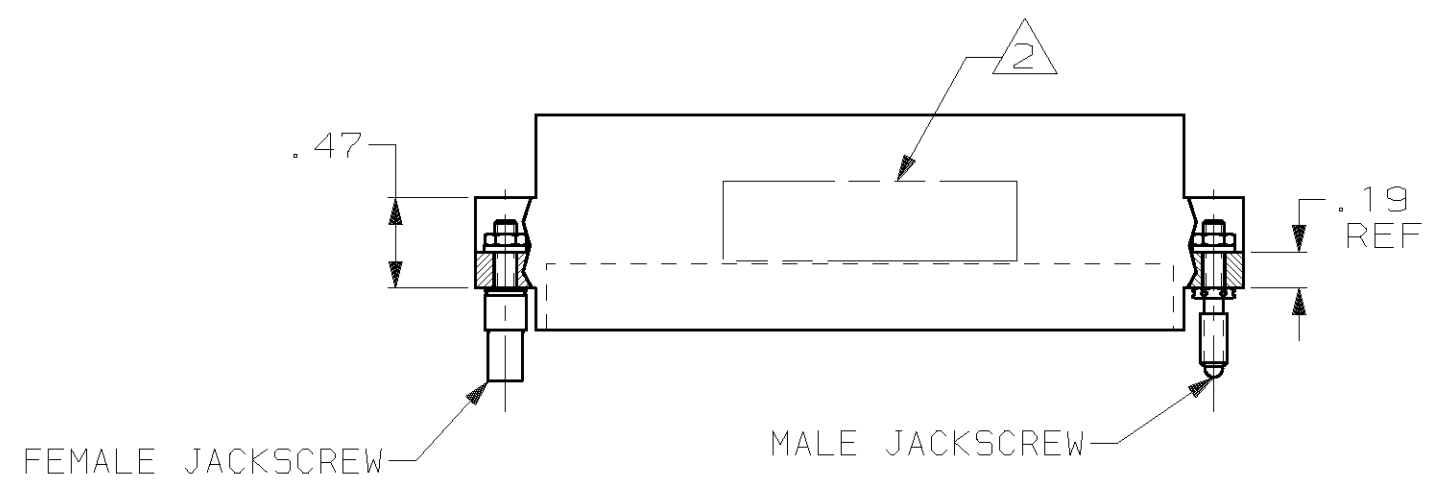
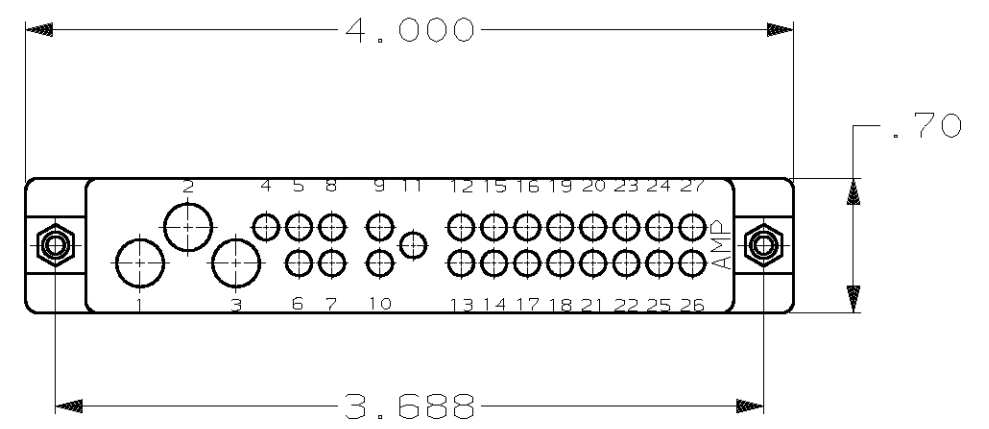
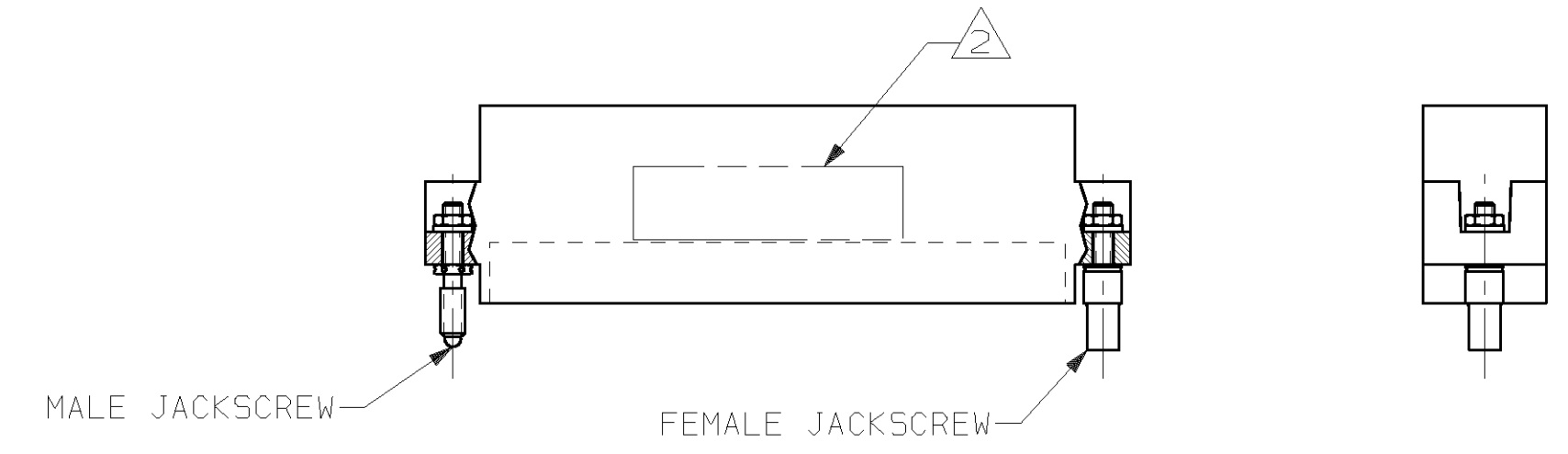
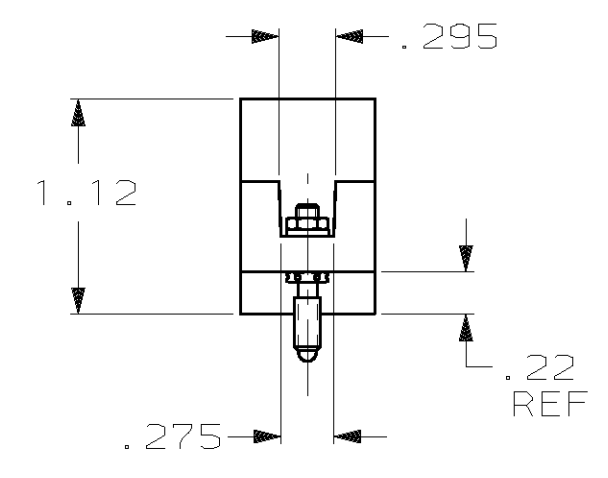
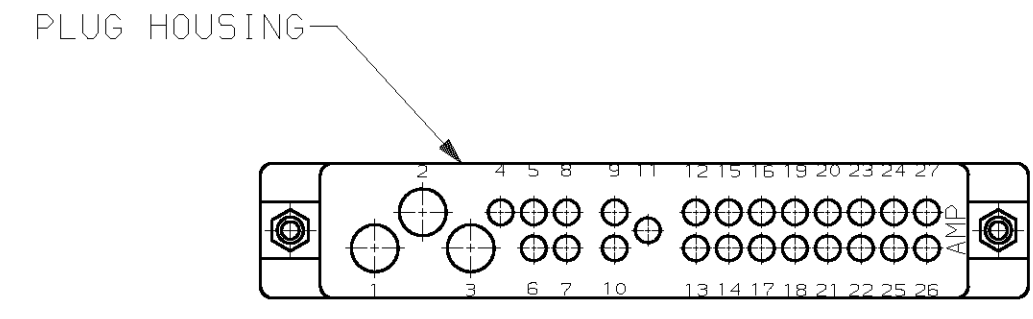


THIS DRAWING IS UNPUBLISHED. RELEASED FOR PUBLICATION ,19
 (C) COPYRIGHT 19 BY AMP INCORPORATED. ALL RIGHTS RESERVED.

| LOC | DIST | REVISIONS | | | |
|-----|------|-------------|----------------------|-------|-------|
| P | LTR | DESCRIPTION | DATE | DWN | APVD |
| DF | 50 | F | REV PER 063D-0374-01 | 12-02 | CT DE |



858575-4 ONLY



858575-5 ONLY

1. DIMENSIONS SHOWN FOR 858575-4 ALSO APPLY FOR 858575-5.
2. AMP INFORMATION MARKED IN THIS AREA.
3. CONTACTS ARE NOT SUPPLIED WITH EITHER CONNECTOR.
4. CONNECTOR IS SUPPLIED WITH 6 "O"-RINGS. AFTER INSERTING CONTACTS IN THE CONNECTOR; CUSTOMER MUST INSTALL (2) "O"-RINGS OVER EACH PIN, ON INTERFACE SURFACE, AT POSITIONS #9,10 & 11.
5. 858575-1, -2 & -3 ARE OBSOLETE.

| | | | | | | | | | | | | | | | | | | | | | |
|---|-----|------------------------------|---|---------------|---|-----|----|---|-----|------|---|-----|-------|---|-----|----|--------|--|----|------------------|--|
| THIS DRAWING IS A CONTROLLED DOCUMENT. | | DWN C.C.THOMAS 7-26-01 | AMP TYCO Electronics Corporation Harrisburg, PA 17105-3608 | | | | | | | | | | | | | | | | | | |
| DIMENSIONS: INCHES | | CHK D.EABY 7-26-01 | NAME D.EABY | | | | | | | | | | | | | | | | | | |
| TOLERANCES UNLESS OTHERWISE SPECIFIED: | | APVD D.EABY 7-26-01 | PRODUCT SPEC | | | | | | | | | | | | | | | | | | |
| <table border="1"> <tr><td>0</td><td>PLC</td><td>±-</td></tr> <tr><td>1</td><td>PLC</td><td>±-</td></tr> <tr><td>2</td><td>PLC</td><td>±.04</td></tr> <tr><td>3</td><td>PLC</td><td>±.005</td></tr> <tr><td>4</td><td>PLC</td><td>±-</td></tr> <tr><td colspan="2">ANGLES</td><td>±-</td></tr> </table> | | 0 | PLC | ±- | 1 | PLC | ±- | 2 | PLC | ±.04 | 3 | PLC | ±.005 | 4 | PLC | ±- | ANGLES | | ±- | APPLICATION SPEC | |
| 0 | PLC | ±- | | | | | | | | | | | | | | | | | | | |
| 1 | PLC | ±- | | | | | | | | | | | | | | | | | | | |
| 2 | PLC | ±.04 | | | | | | | | | | | | | | | | | | | |
| 3 | PLC | ±.005 | | | | | | | | | | | | | | | | | | | |
| 4 | PLC | ±- | | | | | | | | | | | | | | | | | | | |
| ANGLES | | ±- | | | | | | | | | | | | | | | | | | | |
| MATERIAL MOLDED GLASS EPOXY | | FINISH - | WEIGHT - | RESTRICTED TO | | | | | | | | | | | | | | | | | |
| CUSTOMER DRAWING | | SCALE 1:1 | SHEET 1 OF 1 | REV F | | | | | | | | | | | | | | | | | |

单击下面可查看定价，库存，交付和生命周期等信息

[>>TE Connectivity\(泰科\)](#)