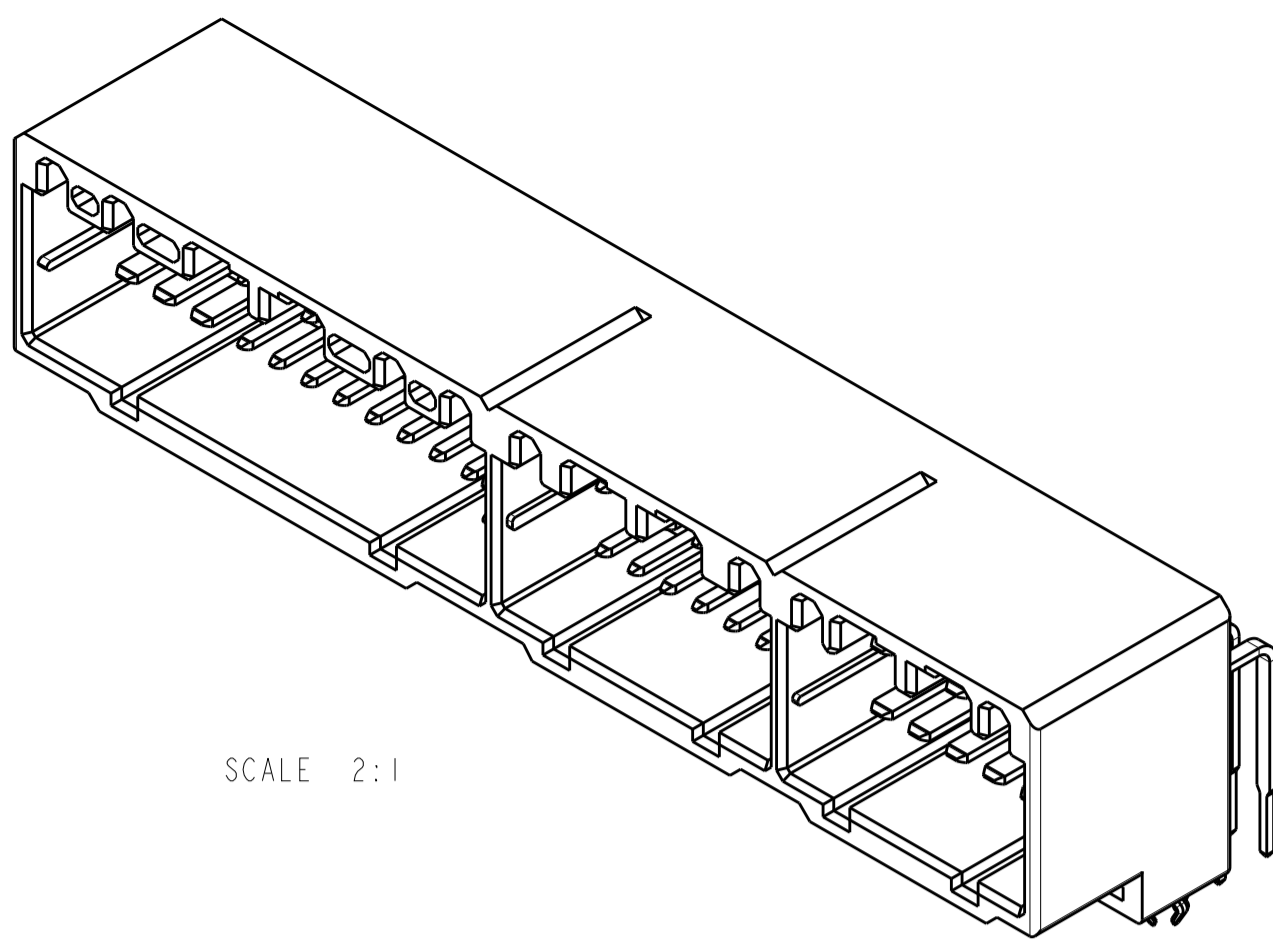
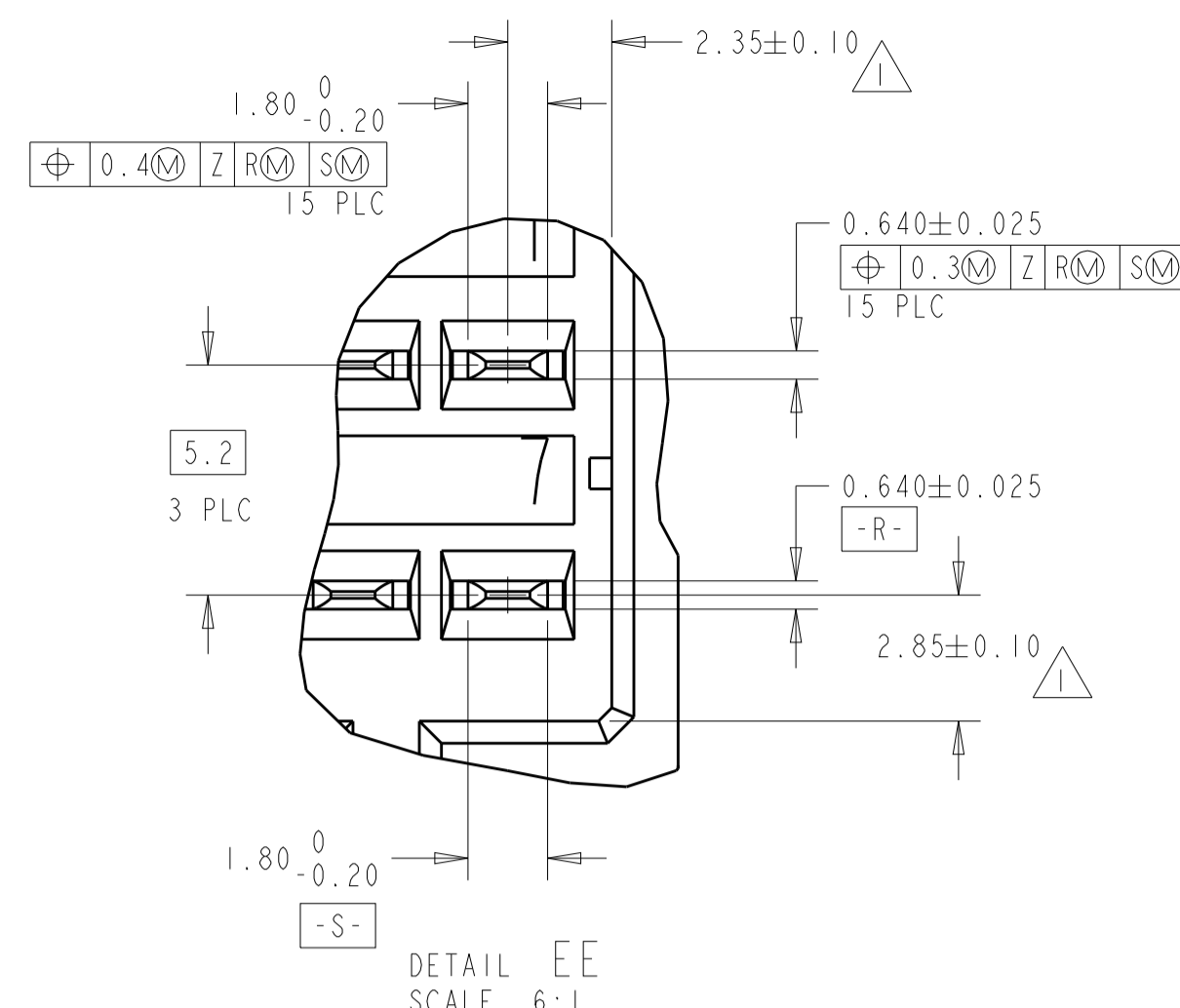


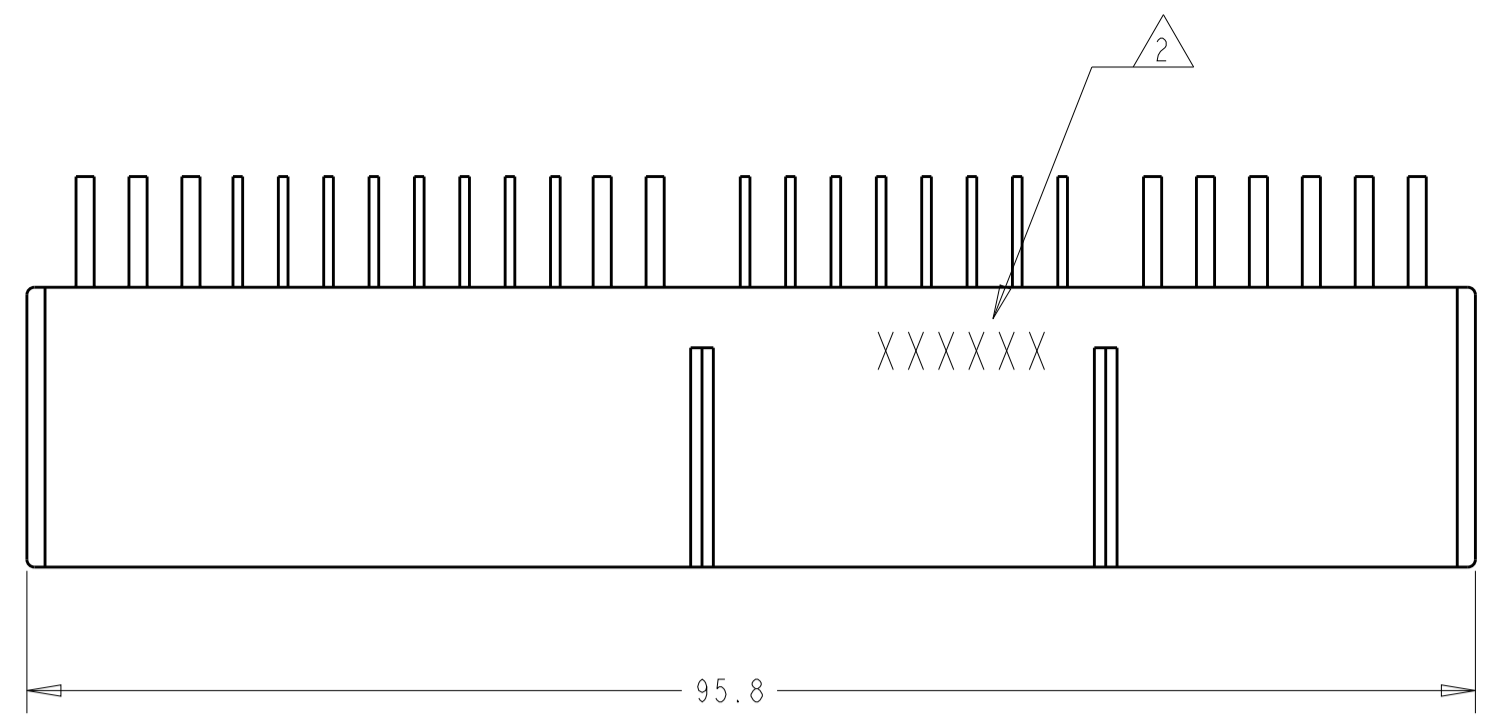
REVISIONS				
REV	LTN	DESCRIPTION	DATE	DWN APVD
B2		REVISED PER ECO-009355	23JUN2015	DD MM



SCALE 2:1

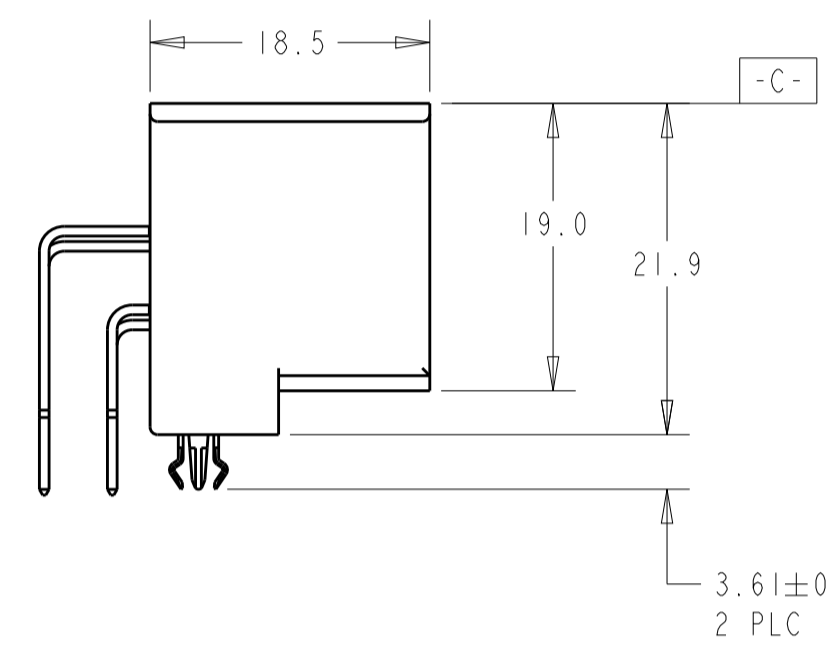


DETAIL EE SCALE 6:1

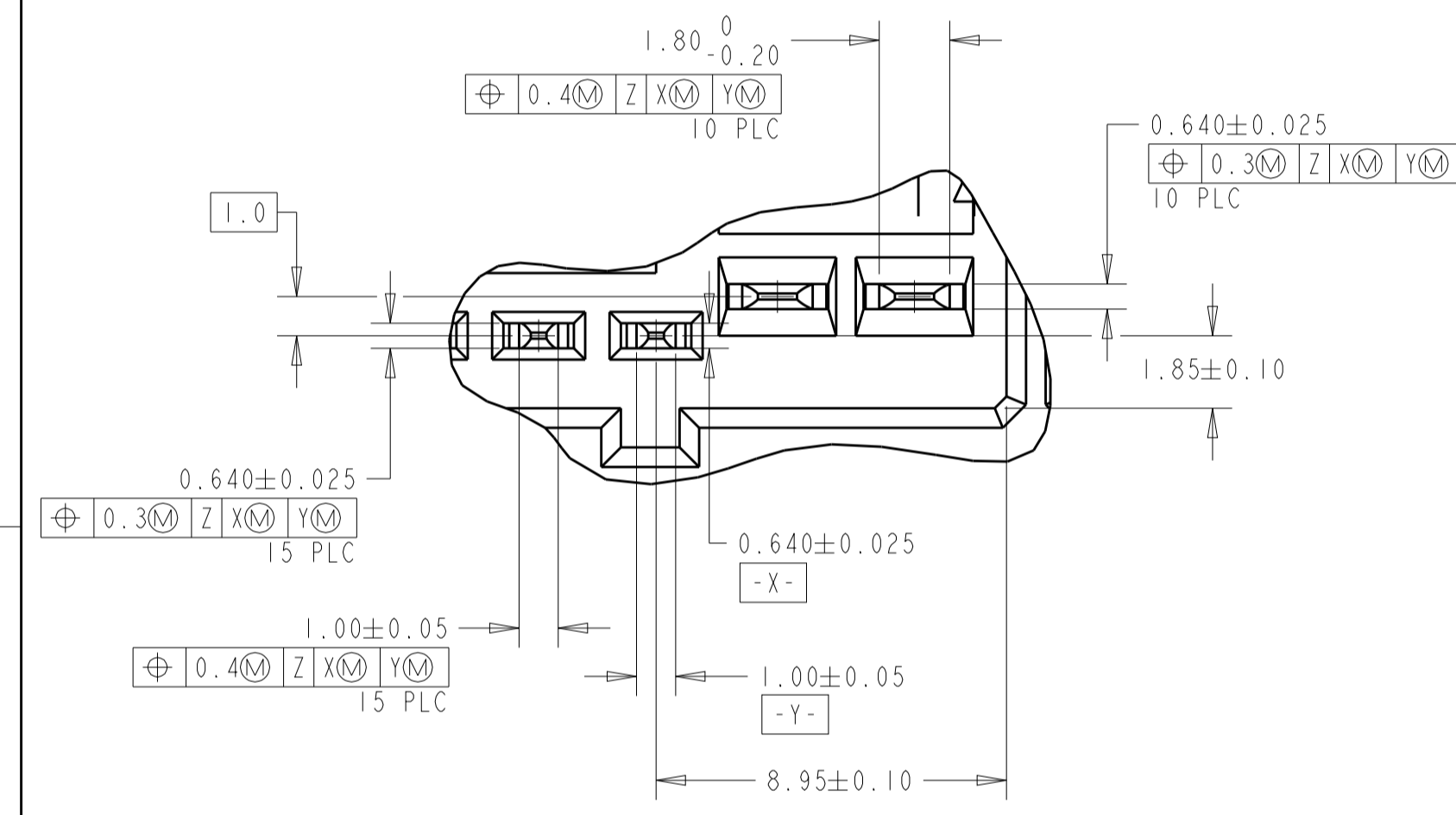
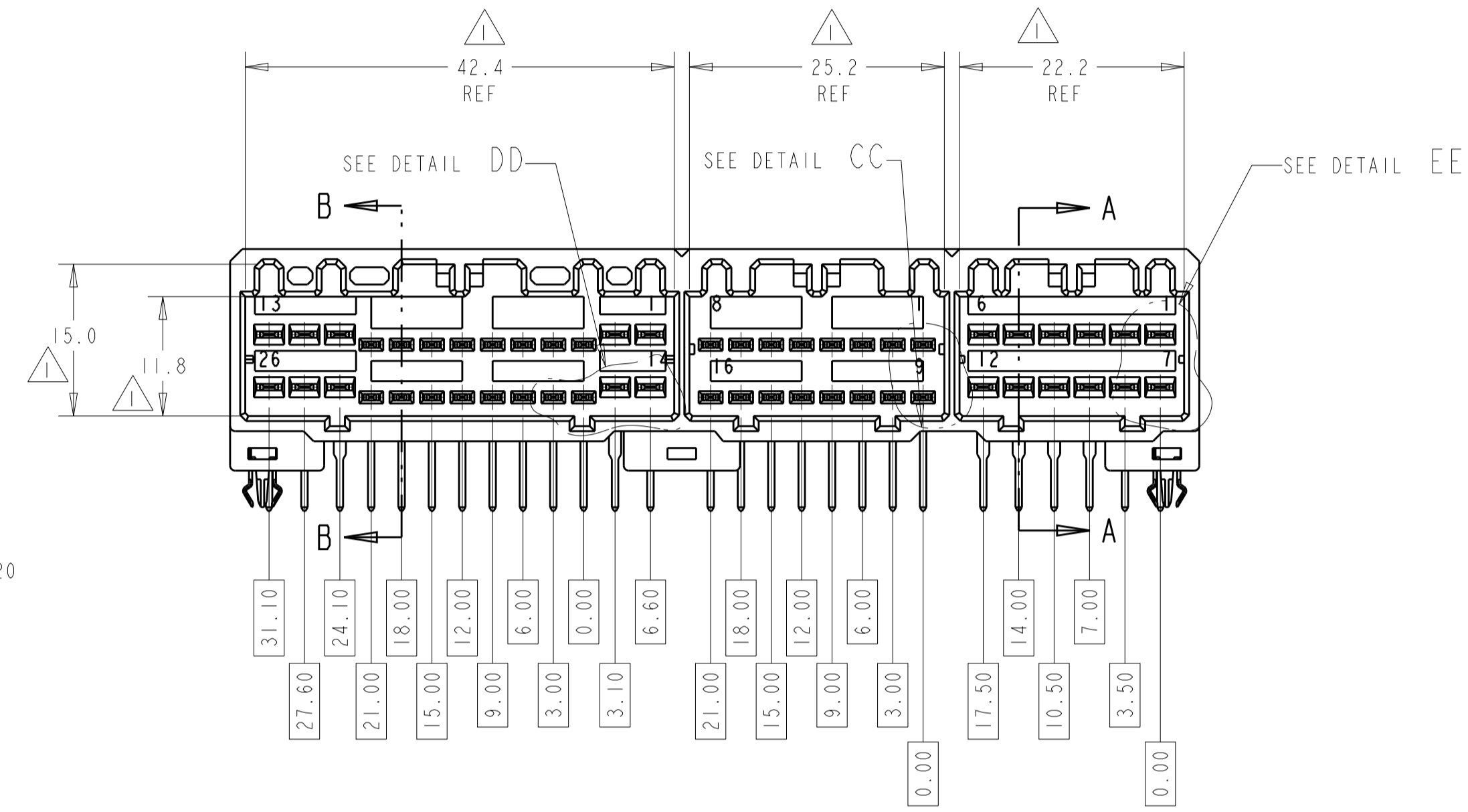


- 1 DIMENSION MUST BE HELD BETWEEN [-Z- AND 2mm FROM [-Z-
- 2 DATE CODE
- 3 DATUMS AND BASIC DIMENSIONS ESTABLISHED BY CUSTOMER.

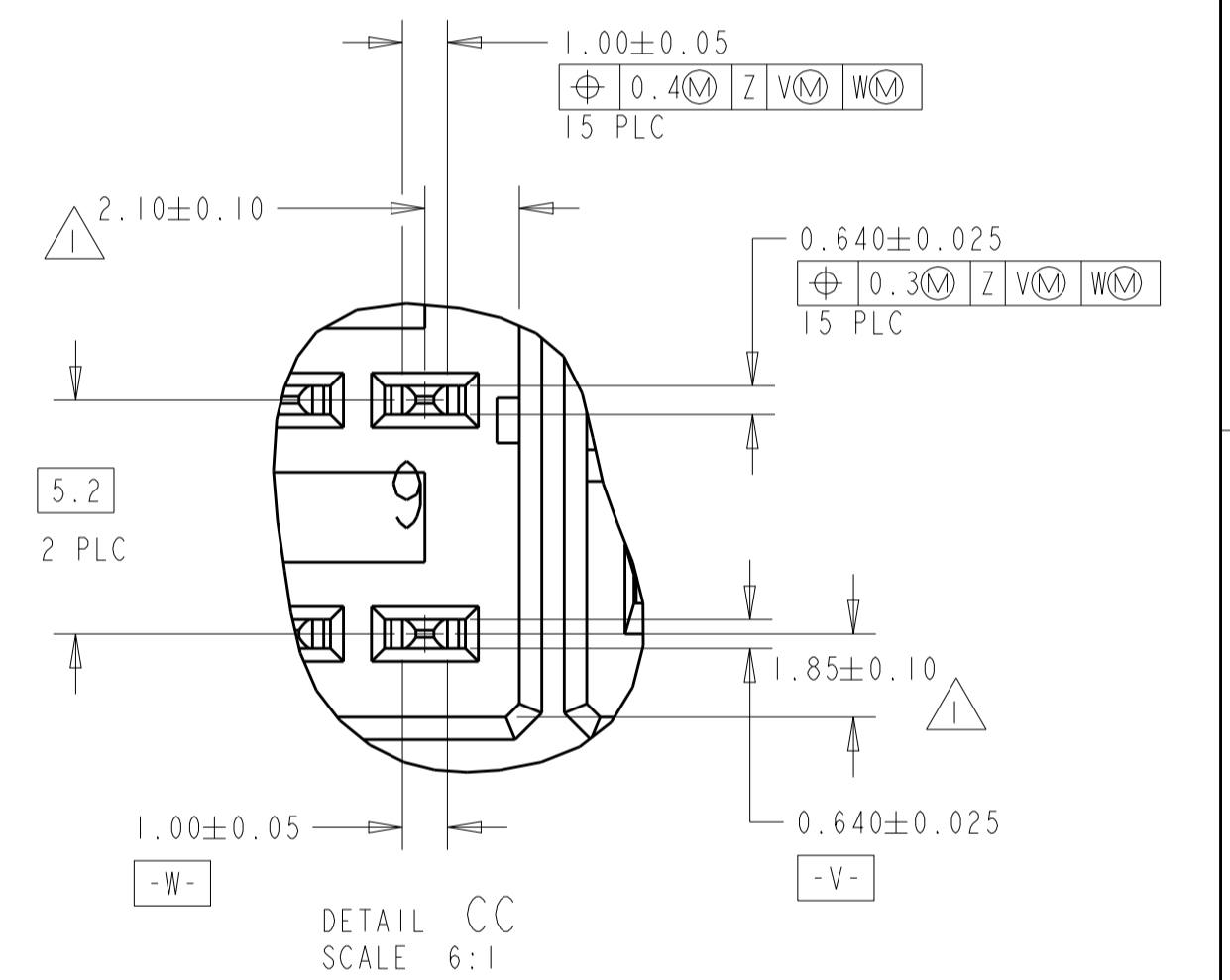
4. MATING PLUGS ARE 12 POSN: 917978
16 POSN: 917981
26 POSN: 917992



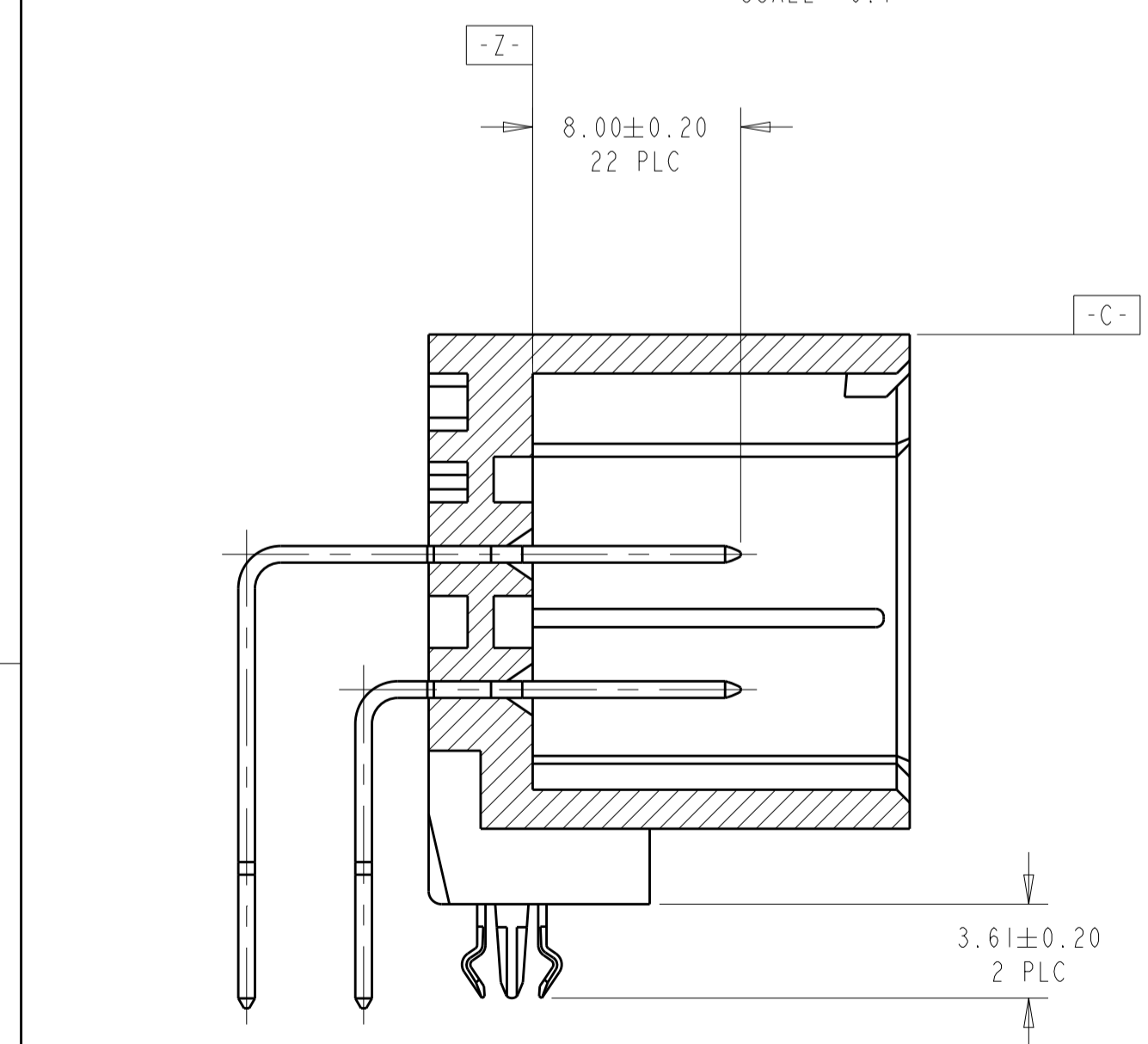
DETAIL -S- SCALE 6:1



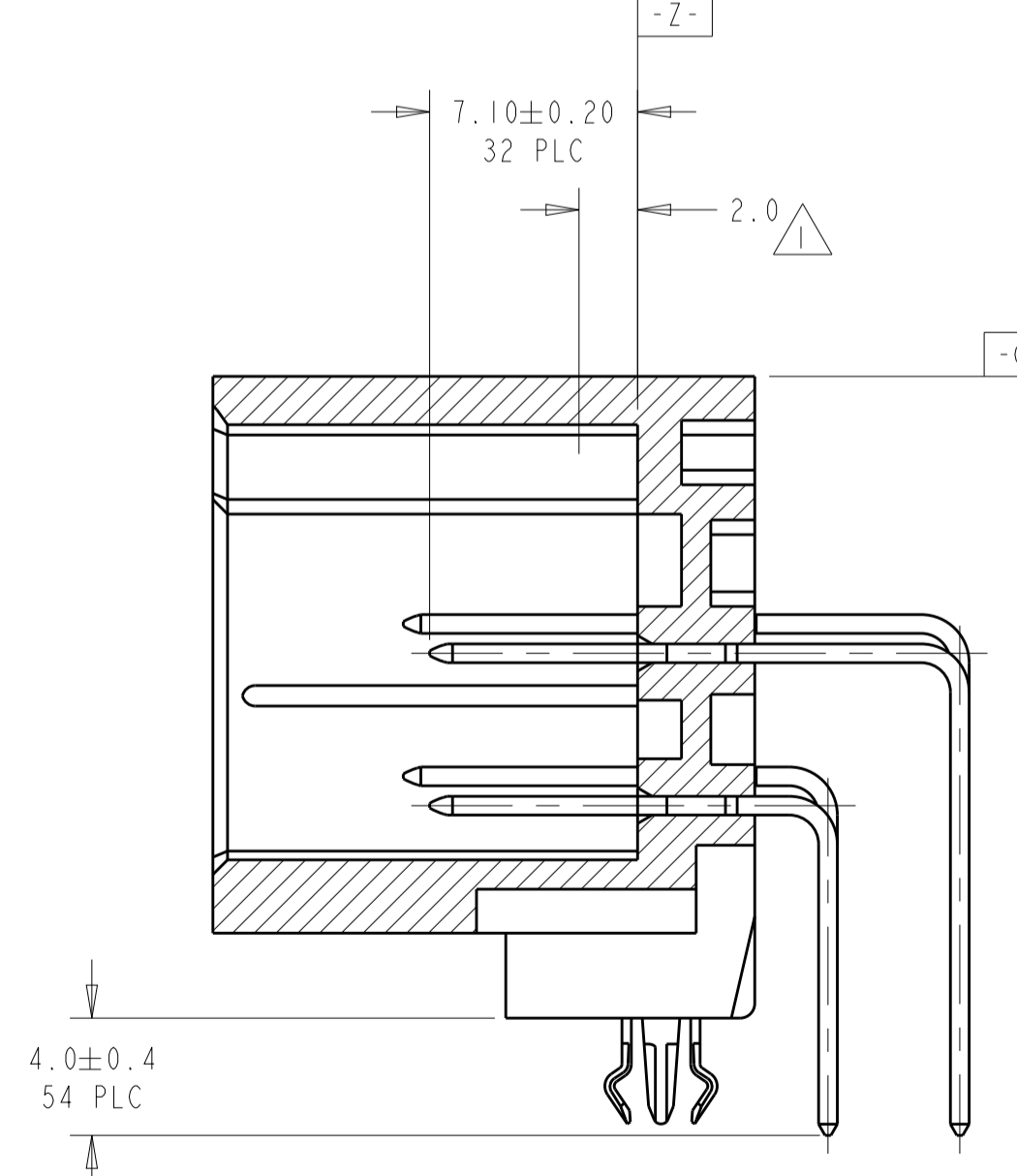
DETAIL DD SCALE 6:1



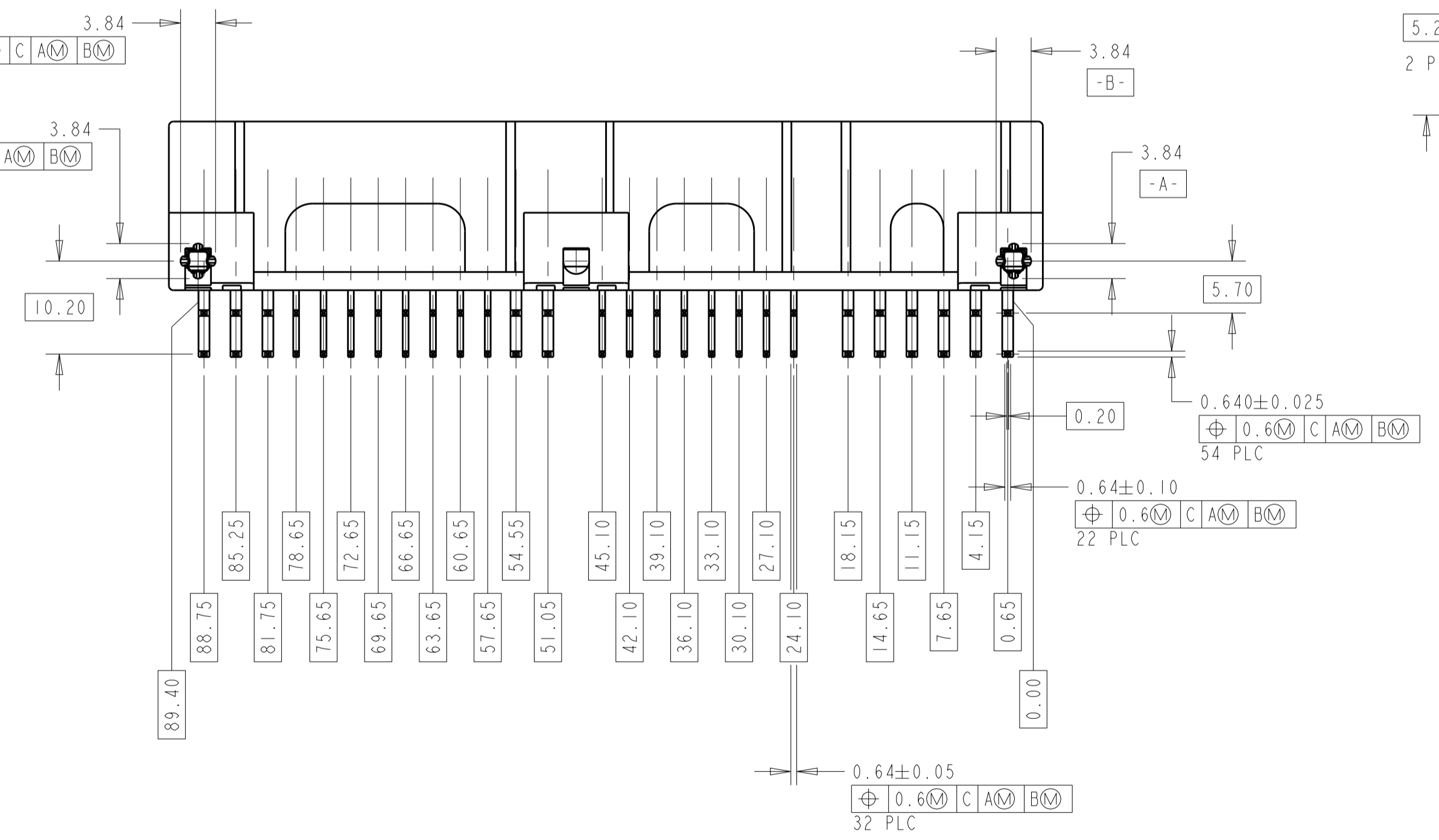
DETAIL CC SCALE 6:1



SECTION A-A SCALE 4:1 .070 TABS

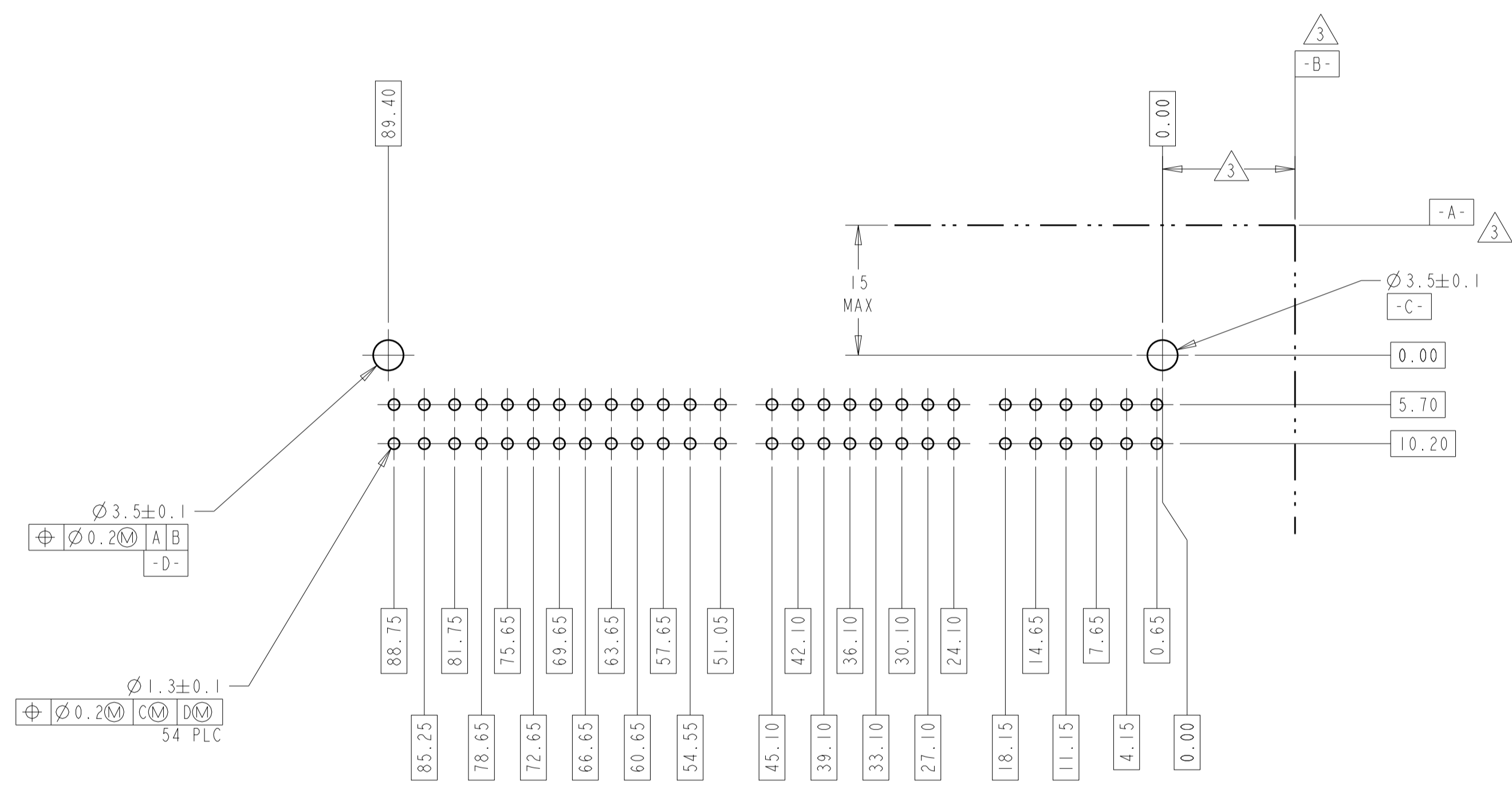


SECTION B-B SCALE 4:1 .040 TABS



POST TIN	BRASS	POST-TIN	BRASS	GRAY	PBT	9-638258-6
POST TIN	BRASS	PRE-TIN	BRASS	GRAY	PBT	638258-6
BOARDLOCK FINISH	BOARDLOCK MATERIAL	CONTACT FINISH	CONTACT MATERIAL	COLOR	HOUSING MATERIAL	PART NUMBER
THIS DRAWING IS A CONTROLLED DOCUMENT. DIMENSIONS: mm. TOLERANCES UNLESS OTHERWISE SPECIFIED: 0 PLC ±0.3, 1 PLC ±0.3, 2 PLC ±0.15, 3 PLC ±0.15, 4 PLC ±0.15, ANGLES ±.						DWN S. EKKER 08OCT98 CHK R. SMITH 08OCT98 APVD B. SMITH 08OCT98 PRODUCT SPEC 108-5280 APPLICATION SPEC WEIGHT 26.35 MATERIAL SEE TABLE FINISH SEE TABLE CUSTOMER DRAWING
NAME 040/070 CAP ASSEMBLY, 54 POSITION HORIZONTAL, WITH BOARDLOCKS		SIZE A1	CAGE CODE 00779 DRAWING NO. C=638258	RESTRICTED TO SHEET 1 OF 2 REV B2		

REVISIONS				
P.	LTN	DESCRIPTION	DATE	OWN
-	SEE SHEET 11			



P.C. BOARD LAYOUT

THIS DRAWING IS A CONTROLLED DOCUMENT.		DWN S. EKKER 08OCT98	TE Connectivity
DIMENSIONS: mm		CHK R. SMITH 08OCT98	
		APVD R. SMITH 08OCT98	
TOLERANCES UNLESS OTHERWISE SPECIFIED: 0 PLC ± 0.3 1 PLC ± 0.3 2 PLC ± 0.15 3 PLC \pm 4 PLC \pm ANGLES $\pm 1^\circ$		NAME 040/070 CAP ASSEMBLY, 54 POSITION HORIZONTAL, WITH BOARDLOCKS	RESTRICTED TO
MATERIAL SEE TABLE	FINISH SEE TABLE	WEIGHT 26.35	SIZE A1
CUSTOMER DRAWING		SCALE 2:1	SHEET 2 OF 2
		REV B2	

单击下面可查看定价，库存，交付和生命周期等信息

[>>TE Connectivity\(泰科\)](#)