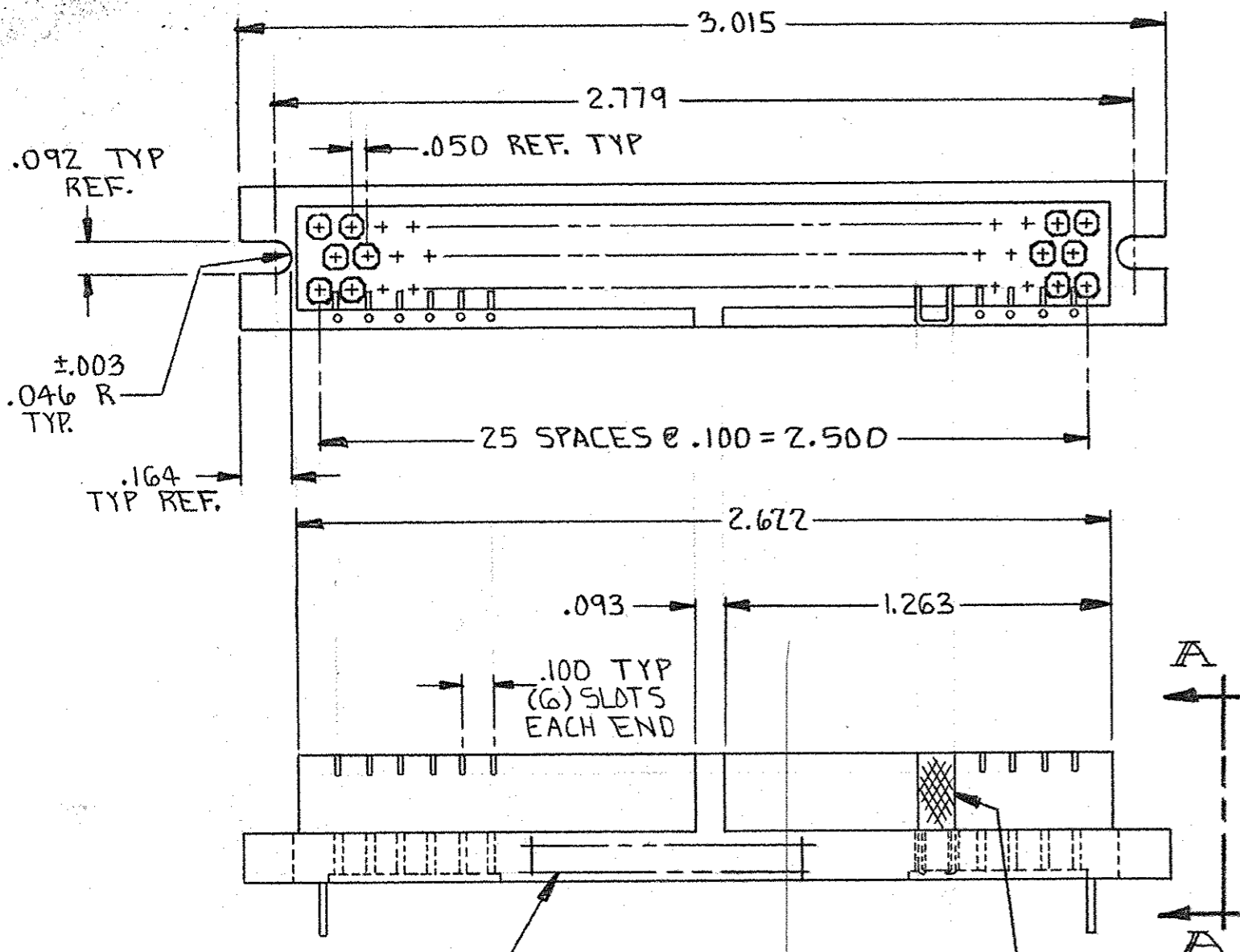


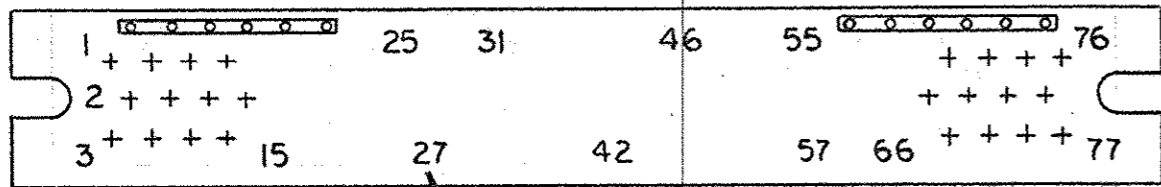
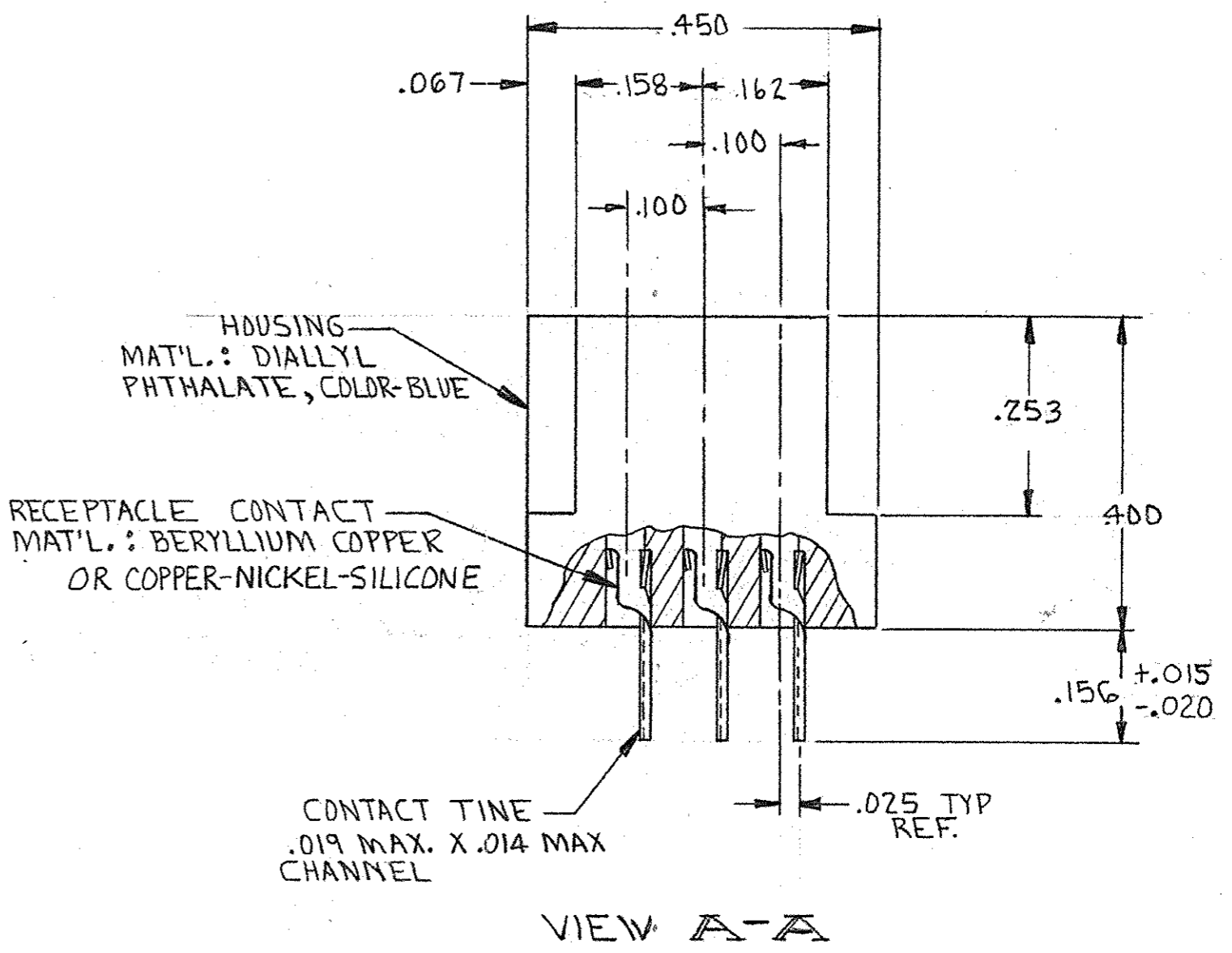
AMP INCORPORATED, ALL RIGHTS RESERVED. AMP PRODUCTS ARE COVERED BY PATENTS AND/OR PATENTS PENDING.

583811-1 I. AS SHOWN

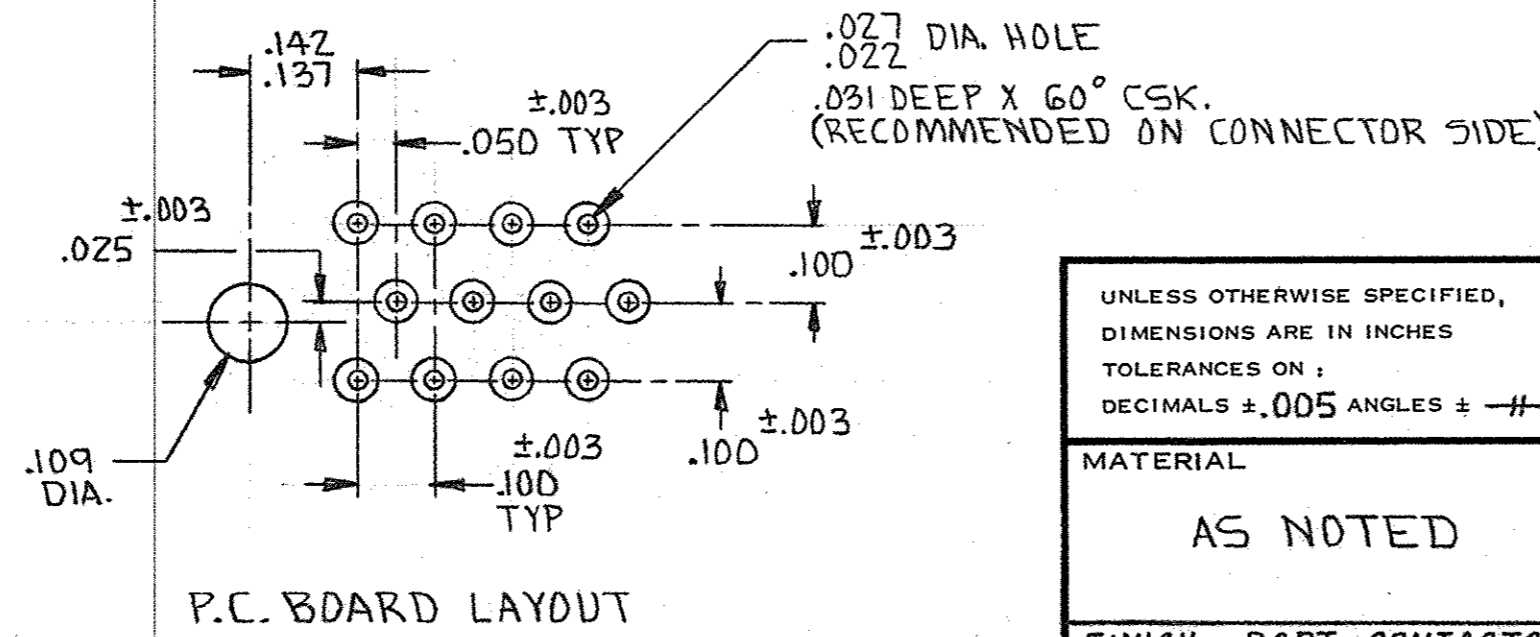
REVISIONS				
ZONE	LTR	DESCRIPTION	DATE	APPROVED
A		REVISED FINISH 7228 M.S.	2-28-81	PO
B		REVISED PER ECN AB-0535	db 2-27-85	EAM
C		REVISED PER ECN DF-5141	TA	DRM
D		REV PER 0600-7487-98	JY 10-5-98	PL
E		REV PER ECO-07-004569	3-07	PY



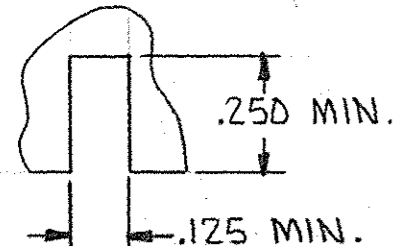
MARK "AMP", PART NO & DATE CODE
KEYS PURCHASED SEPARATELY & INSTALLED BY CUSTOMER AS REQUIRED



RAISED MOLDED CHARACTERS



P.C. BOARD LAYOUT



KEYING SLOT TO BE PROVIDED IN DAUGHTER BOARD BY CUSTOMER

UNLESS OTHERWISE SPECIFIED, DIMENSIONS ARE IN INCHES TOLERANCES ON : DECIMALS ±.005 ANGLES ± #	CONTRACT NO.	AMP INCORPORATED HARRISBURG, PENNSYLVANIA	
	MATERIAL AS NOTED	DR <i>J.H. W...</i> 1/26/72	NAME RECEPTACLE ASSEMBLY, BOX CONNECTOR, 77 POSITION
	FINISH - RCPT. CONTACTS: •.00030 GOLD IN CONTACT AREA, •.000100 TIN-LEAD ON TAILS, OVER .00030 NICKEL ENTIRE CONTACT	GDK <i>S.S. Weide</i> 1/28/72 APPD <i>J.S. R...</i> 1/28/72 REL <i>R. Shouman</i> 1/21/72	SIZE C
	OTHER APPD	NUMBER 583811	REV E
		SCALE 2:1	SHEET

CUSTOMER DRAWING

单击下面可查看定价，库存，交付和生命周期等信息

[>>TE Connectivity\(泰科\)](#)