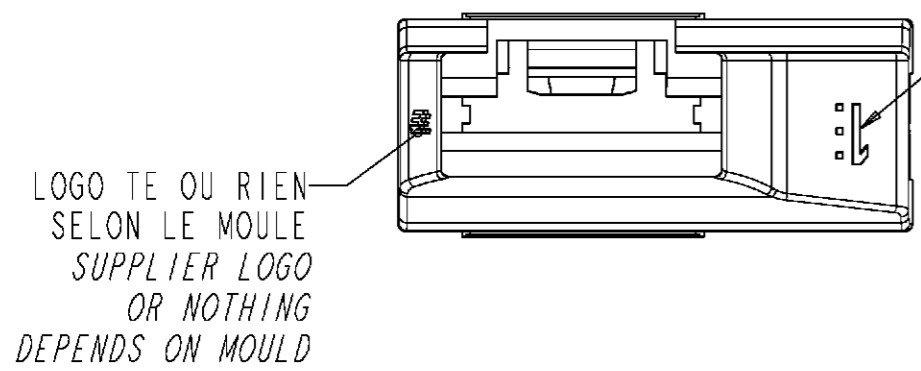
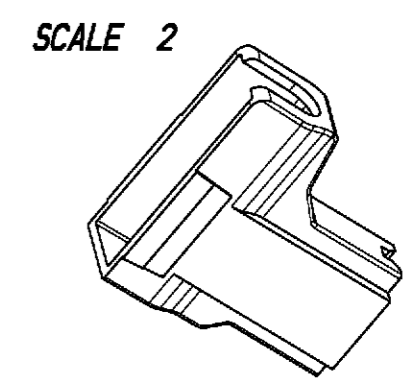
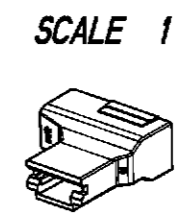
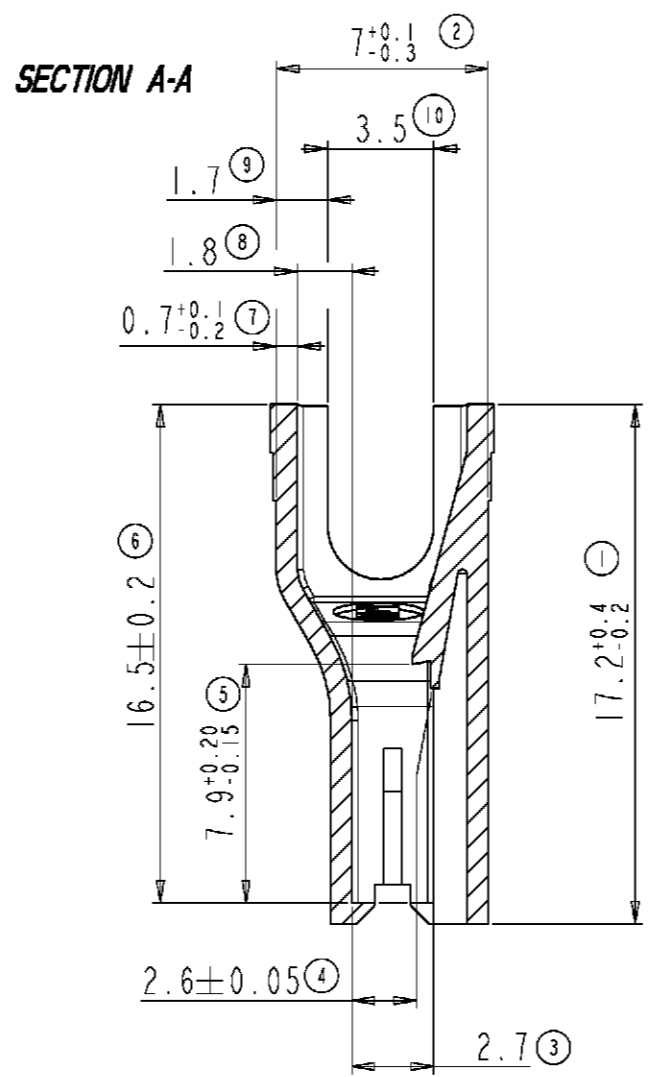
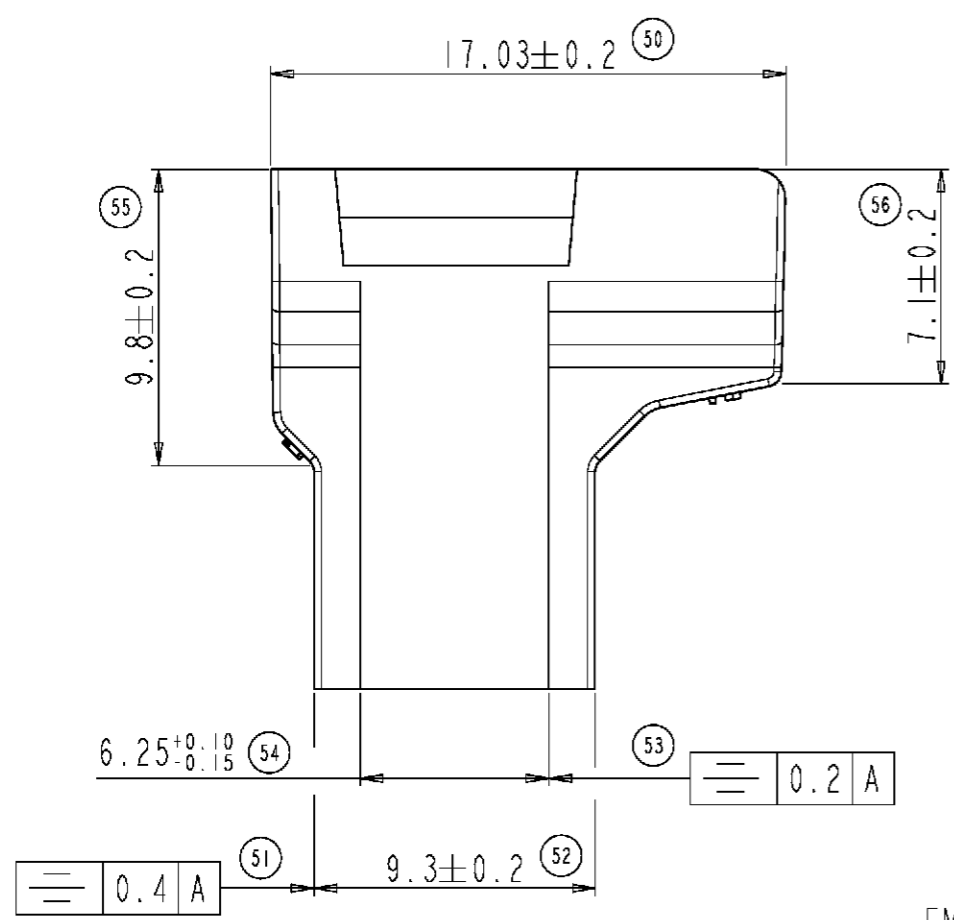


THIS DRAWING IS UNPUBLISHED. RELEASED FOR PUBLICATION 2011  
 © COPYRIGHT - 2011 ALL RIGHTS RESERVED.

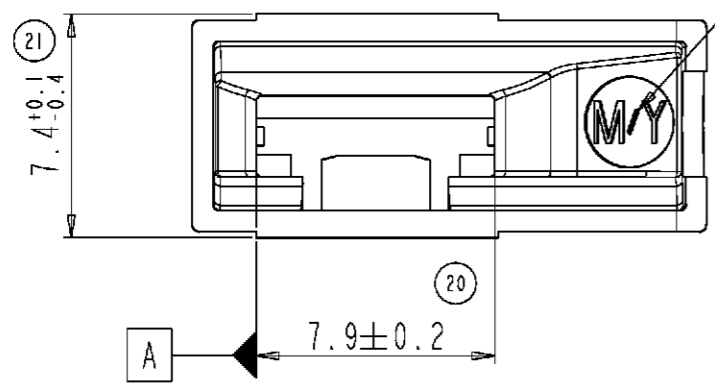
LOC	DIST	REVISIONS			
P	LTR	DESCRIPTION	DATE	DWN	APVD
F	00	G	REVIEW ALL DRAWING AND TE LOGO	13OCT2010	PF s JD r
		H	CHANGE DATE CODE AND CAVITY REPERE SIDE	15FEB2011	PF s JD r
		J	CHANGE MATERIAL WAS PCT-GF30	08NOV2011	PF s JD r



REPERES D'EMPREINTE ET MOULE  
 CAVITY AND MOULD REPERES



EMPLACEMENT DATEUR MOIS/ANNEE  
 OU LOGO TE, SELON LE MOULE  
 DATE CODE MONTH/YEAR  
 OR TE LOGO AREA, DEPENDS ON MOULD



TE PN	REF CLIENT CUSTOMER PN	MATIERE MATERIAL	COULEUR COLOR
1544351-1		PA4.6 GF30	NOIR / BLACK

THIS DRAWING IS A CONTROLLED DOCUMENT.

DWN	L. CORONELLI	09DEC2004	 TE Connectivity
CHK	P. FLORES	09DEC2004	
APVD	J. DAHER	09DEC2004	
PRODUCT SPEC			
APPLICATION SPEC			NAME CAP POUR CLIP DRAPEAU 6.35 1 VOIE 1 WAY 6.35mm FLAG RECEPTACLE HOUSING
WEIGHT	0.7 g	A3	SIZE CAGE CODE DRAWING NO RESTRICTED TO
CUSTOMER DRAWING		SCALE 4.0	SHEET 1 OF 1 REV J

DIMENSIONS:	TOLERANCES UNLESS OTHERWISE SPECIFIED:
mm	1. PLC ±0.1 2. PLL ±0.1 3. PXC ±0.1 4. PLC ±0.1 ANGLES ±5° FINISH -
MATERIAL	SEE TABLE

单击下面可查看定价，库存，交付和生命周期等信息

[>>TE Connectivity\(泰科\)](#)