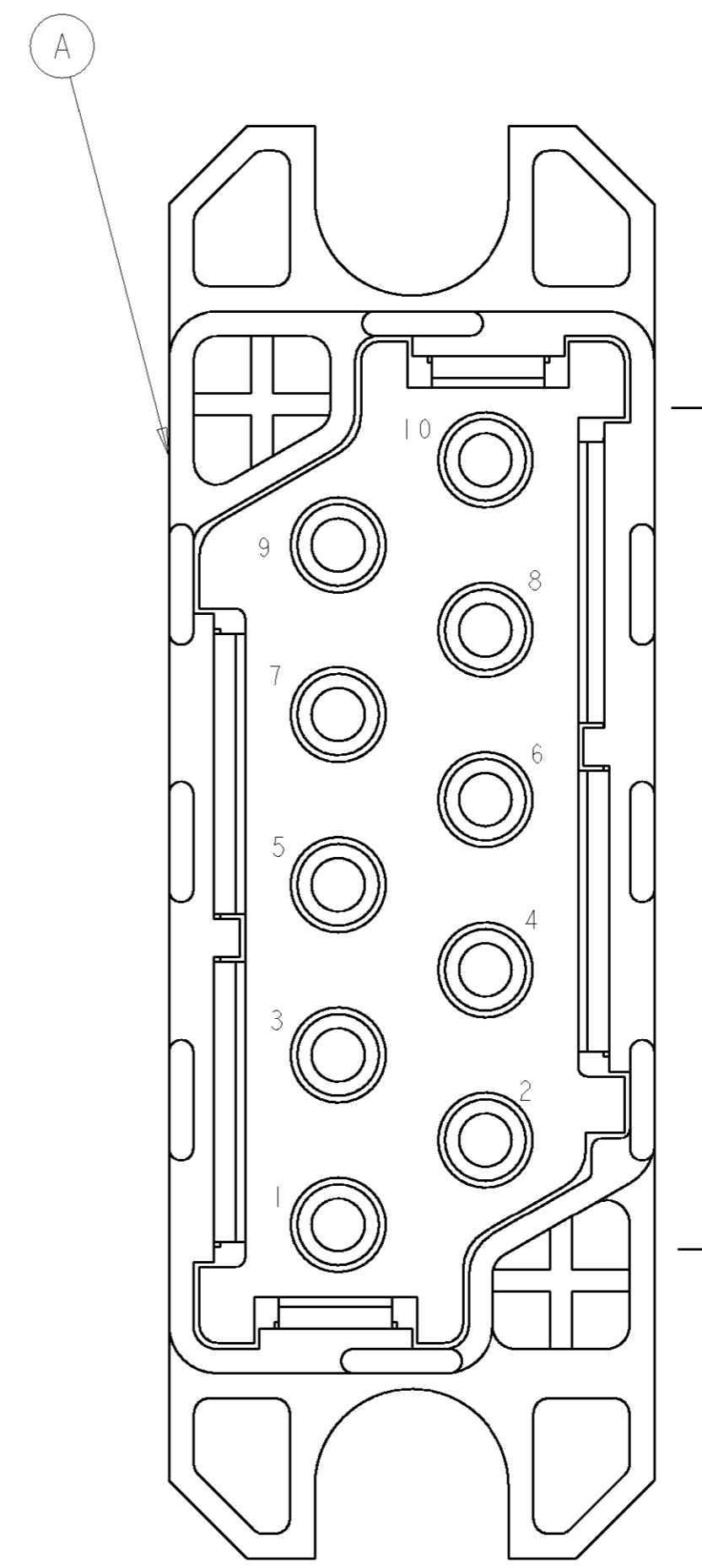
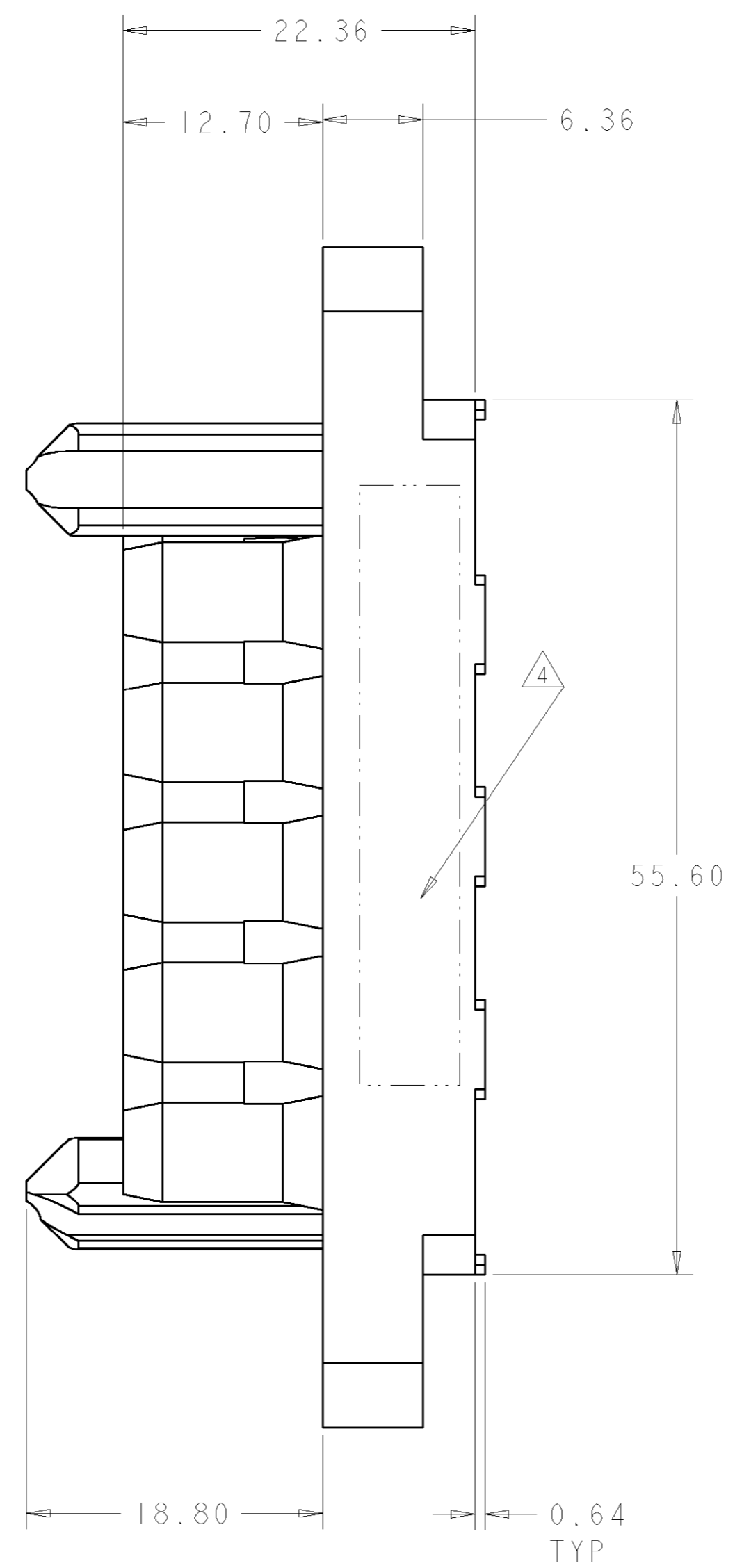
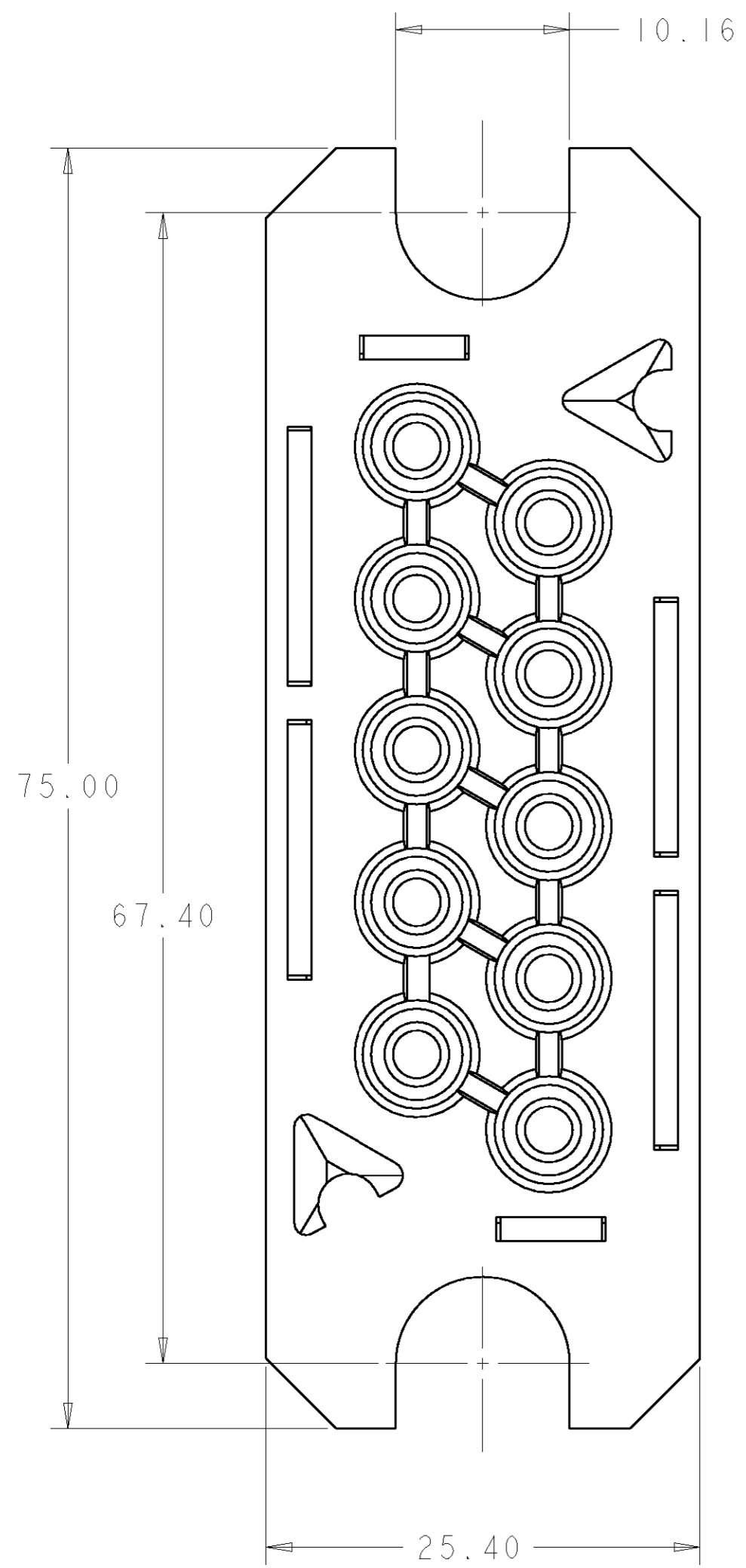


THIS DRAWING IS UNPUBLISHED. RELEASED FOR PUBLICATION 20
 © COPYRIGHT 20 BY TYCO ELECTRONICS CORPORATION. ALL RIGHTS RESERVED.

LOC	DIST	REVISIONS					
GP	00	P	LTR	DESCRIPTION	DATE	DWN	APVD
			A	RELEASED	24JUL2006	RG	SF



SOCKET CONTACT (B)
 SIZE #12

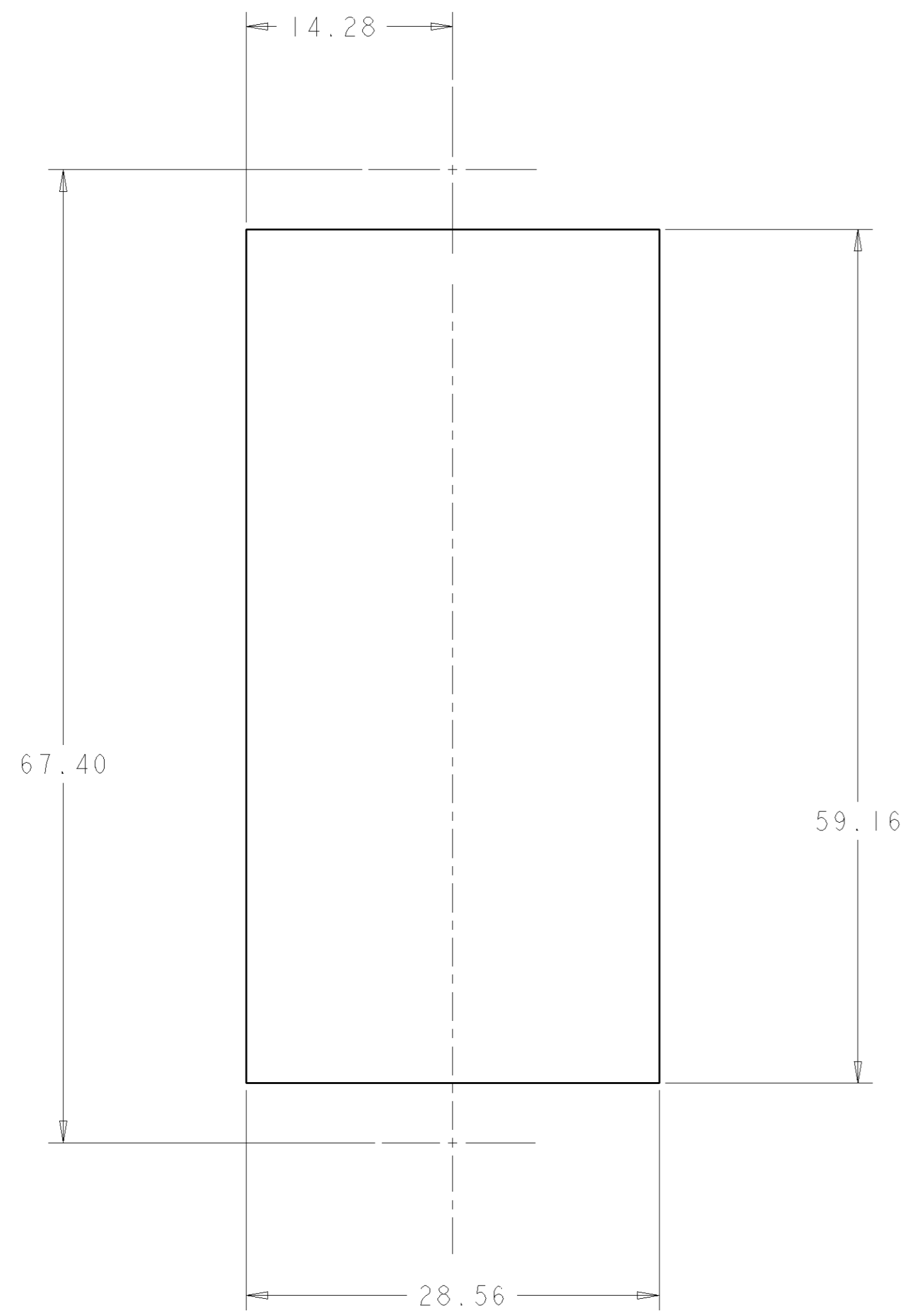
ELCON P1050 DRAWER

AS SHOWN	1926164-1
DESCRIPTION	PART NUMBER

THIS DRAWING IS A CONTROLLED DOCUMENT FOR TYCO ELECTRONICS CORPORATION. IT IS SUBJECT TO CHANGE AND THE CONTROLLING ENGINEERING ORGANIZATION SHOULD BE CONTACTED FOR THE LATEST REVISION.		DWN R. GRZYBOWSKI 20 JUN 2006	tyco Electronics Tyco Electronics Harrisburg, PA 17105-3608
DIMENSIONS:		CHK S. FLICKINGER 20 JUN 2006	
mm		APVD S. FLICKINGER 20 JUN 2006	
TOLERANCES UNLESS OTHERWISE SPECIFIED:		PRODUCT SPEC	
0 PLC ±		-	NAME
1 PLC ±		-	CONNECTOR ASSEMBLY
2 PLC ±.30		-	SOCKET
3 PLC ±.10		-	P1050 DRAWER
4 PLC ±		-	SIZE
ANGLES ±2		-	CAGE CODE
FINISH		-	DRAWING NO
-		-	RESTRICTED TO
-		-	A200779C-1926164
-		-	SCALE 3:1
-		-	SHEET 1 OF 2
-		-	REV A

THIS DRAWING IS UNPUBLISHED. RELEASED FOR PUBLICATION 20
 © COPYRIGHT 20 BY TYCO ELECTRONICS CORPORATION. ALL RIGHTS RESERVED.

LOC	DIST	REVISIONS			
P	LTR	DESCRIPTION	DATE	DWN	APVD
GP	00	-	SEE SHEET 1	-	-



- PART NUMBER CHANGES AND OR DESIGN CHANGES AFFECTING ITEM INTERCHANGEABILITY REQUIRE PRIOR TYCO APPROVAL AND AUTHORIZATION BY REVISION TO THIS DRAWING.
- MATERIAL:
 - INSULATORS - THERMOPLASTIC, GLASS REINFORCED, COLOR: BLACK UL94V-0 FLAMMABILITY RATED.
 - SOCKET CONTACTS - COPPER ALLOY
 - RETENTION CLIPS: BERYLLIUM COPPER OR STAINLESS STEEL
 - CROWN BAND: BERYLLIUM COPPER
 - SHOULDER SCREWS: STAINLESS STEEL
- FINISH:
 - CONTACTS - SILVER PLATE .000200 INCH MIN. THK., OVER NICKEL .000040 INCH MIN. THK.

- △ ITEMS PROVIDED TO THIS SPECIFICATION TO BE PERMANENTLY IDENTIFIED PER THE FOLLOWING IDENTIFIER LABEL
- YEAR WEEK
- TYCO PART NO. DATE CODE (e.g. 0106)
 XXXXXXX-X XXXX
- △ CRIMP CONTACTS AND SHOULDER SCREWS (ITEM B AND C) SHALL BE PACKAGED SEPERATELY AND PLACED IN THE BOX WITH THE CONNECTOR ASSEMBLY.

△ 2	1650589-1	SHOULDER SCREW, M4 X 0.7	C
△ 8	6648318-1	CONTACT, SOCKET #12, CRIMP	B
1	1648596-1	SOCKET, CONNECTOR ASSY	A
-1	PART NUMBER	DESCRIPTION	ITEM NO.

SUGGESTED PANEL CUT-OUT
 VIEW FROM CONNECTOR MOUNTING SIDE

ELCON P10SO DRAWER

<small>THIS DRAWING IS A CONTROLLED DOCUMENT FOR TYCO ELECTRONICS CORPORATION. IT IS SUBJECT TO CHANGE AND THE CONTROLLING ENGINEERING ORGANIZATION SHOULD BE CONTACTED FOR THE LATEST REVISION.</small>		DWN 20 JUN 2006 R. GRZYBOWSKI CHK 20 JUN 2006 S. FLICKINGER APVD 20 JUN 2006 S. FLICKINGER	tyco Electronics Tyco Electronics Harrisburg, PA 17105-3608
DIMENSIONS: mm 	TOLERANCES UNLESS OTHERWISE SPECIFIED: 0 PLC ± 1 PLC ± 2 PLC ±.30 3 PLC ±.10 4 PLC ± ANGLES ±2	NAME CONNECTOR ASSEMBLY SOCKET P10SO DRAWER	SIZE A2
MATERIAL	FINISH	APPLICATION SPEC WEIGHT CUSTOMER DRAWING	CAGE CODE 00779
		DRAWING NO. 1926164	RESTRICTED TO -
		SCALE 3:1	SHEET 2 OF 2 REV A

单击下面可查看定价，库存，交付和生命周期等信息

[>>TE Connectivity\(泰科\)](#)