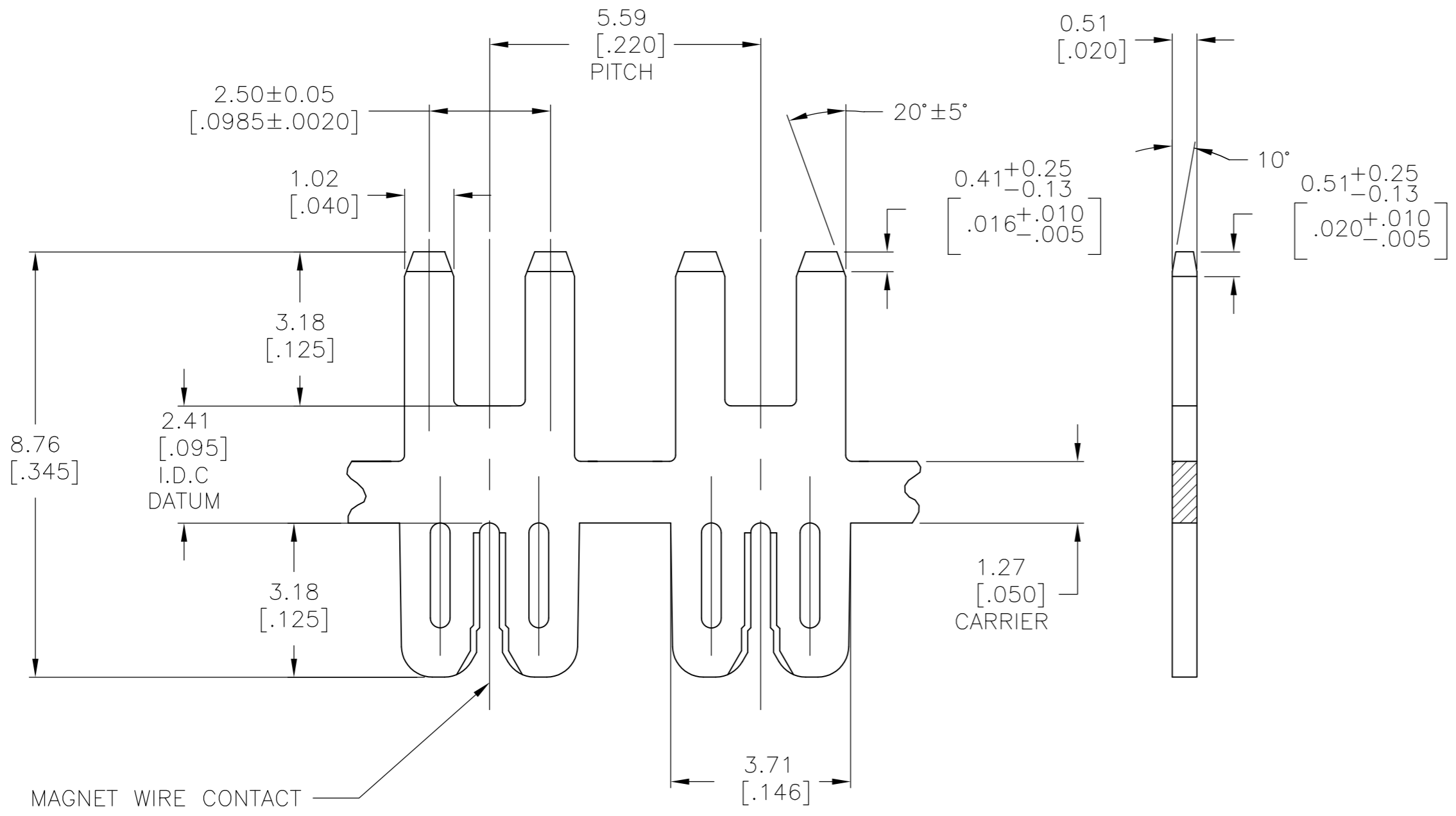
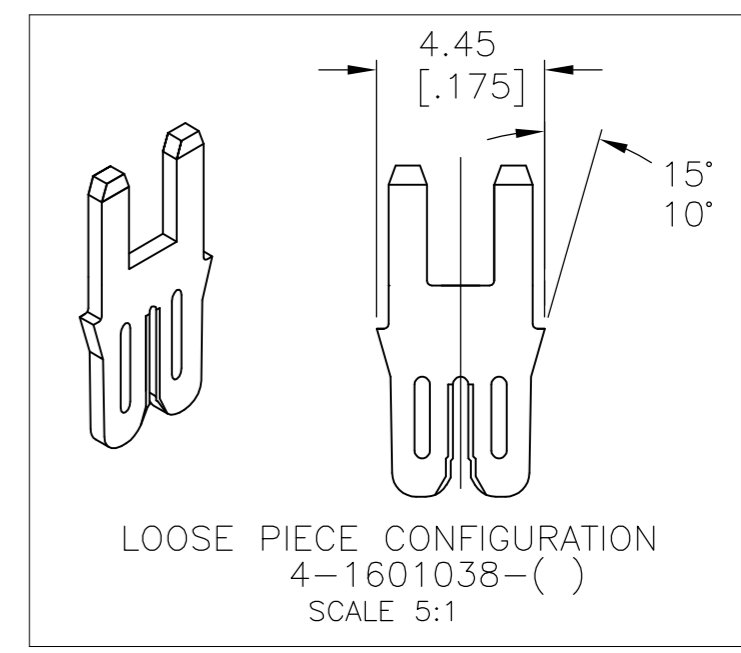


THIS DRAWING IS UNPUBLISHED. RELEASED FOR PUBLICATION
 © COPYRIGHT BY TYCO ELECTRONICS CORPORATION. ALL RIGHTS RESERVED.

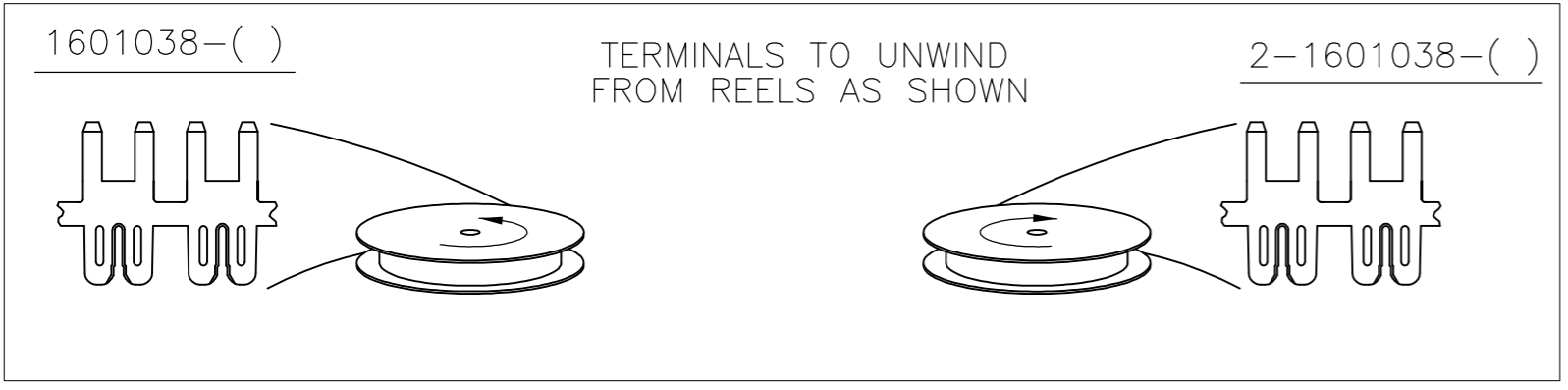
LOC	DIST	REVISIONS					
		P	LTR	DESCRIPTION	DATE	DWN	APVD
AF	50		E3	REVISED PER ECR-08-015055	24JUN08	HMR	GJ
			E4	REVISED PER ECO-09-024606	04DEC09	KK	AEG



- SPECIFICATIONS:
MAGNET WIRE; #21-#24 AWG
0.51-0.79mm [.020-.029] DIA COPPER.
UP TO 2 WIRES OF THE SAME
SIZE MAY BE CONNECTED BY
A SINGLE TERMINAL.
- POCKET RECOMMENDATION: #1601424
- POST TIN PLATED 5 MICRONS [.000200] MIN OVER
NICKEL UNDERPLATE 1.25 MICRONS [.000050] MIN.
- POST TIN-LEAD PLATE 5 MICRONS [.000200] MIN
OVER COPPER UNDERPLATE 2.5 MICRONS [.000100] MIN
- TERMINAL APPLICATION TO COMPLY WITH TYCO
ELECTRONICS SPECIFICATION 114-13166 FIGURE 5.
- OBSOLETE PARTS: OBSOLETE CIS STREAMLINING
PER D.RENAUD/D.SINISI



	3	4-1601038-3
	3	1601038-3
SUPERSEDED BY 4-1601038-3	4	4-1601038-2
OBSOLETE	4	2-1601038-2
SUPERSEDED BY 1601038-3	4	1601038-2
OBSOLETE	UNPLATED	1601038-1
	FINISH	PART NUMBER



THIS DRAWING IS A CONTROLLED DOCUMENT.		DWN MICHAEL S. FEHER 01MAR2002	Tyco Electronics Corporation Harrisburg, PA 17105-3608	
DIMENSIONS: mm [INCHES]		CHK GENE JACONO 01MAR2002	NAME	
TOLERANCES UNLESS OTHERWISE SPECIFIED:		APVD GENE JACONO 01MAR2002	PRODUCT SPEC	
0 PLC ± -		108-2085		
1 PLC ± 0.25 [.010]		APPLICATION SPEC		
2 PLC ± 0.13 [.005]		5		
3 PLC ± -		SIZE	CAGE CODE	DRAWING NO
4 PLC ± -		WEIGHT	A2 00779	C=1601038
ANGLES ± 2°		CUSTOMER DRAWING		
MATERIAL BRASS SPRING HARD	FINISH SEE TABLE	SCALE	10:1	SHEET 1 OF 1
				REV E4

单击下面可查看定价，库存，交付和生命周期等信息

[>>TE Connectivity\(泰科\)](#)