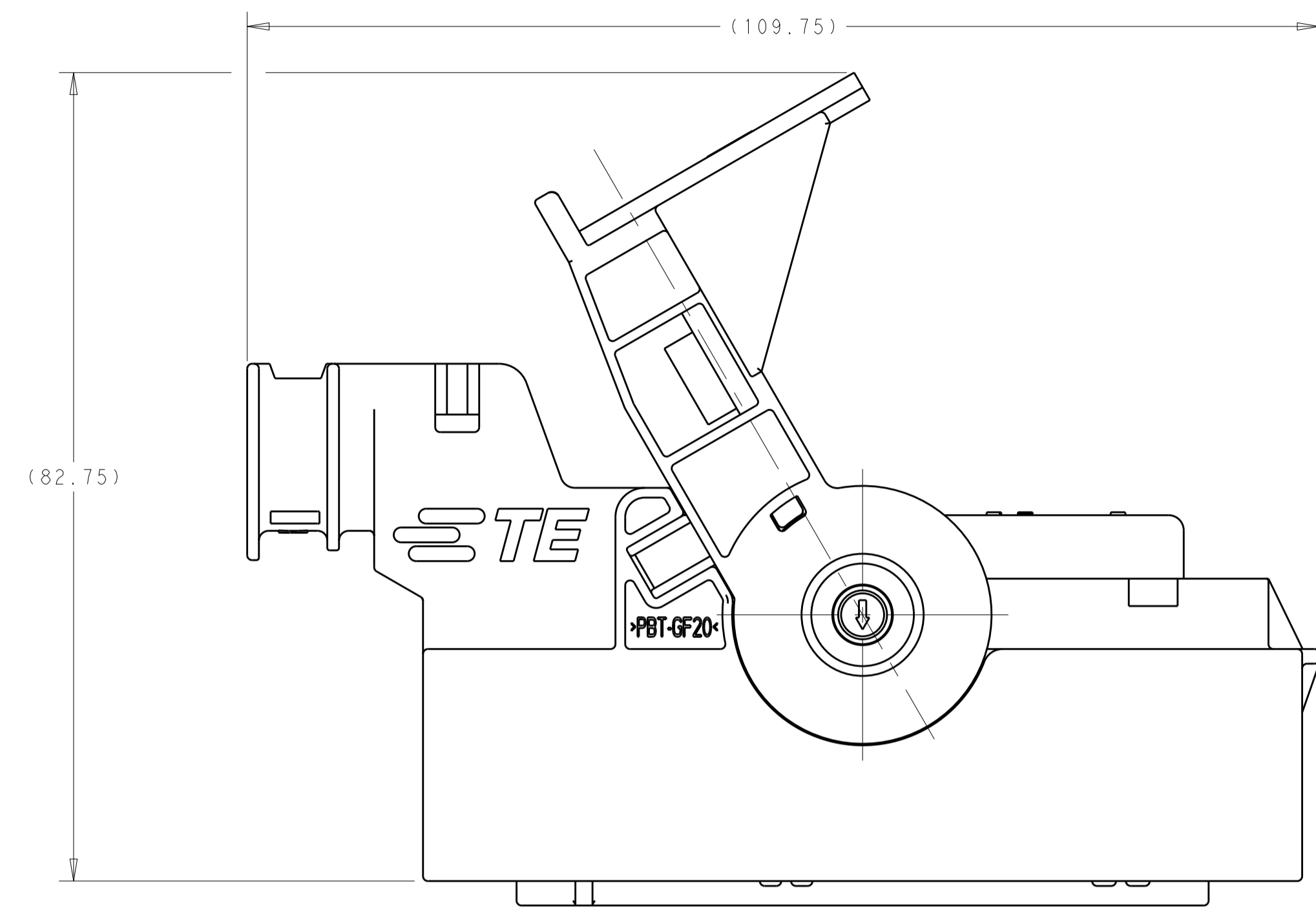


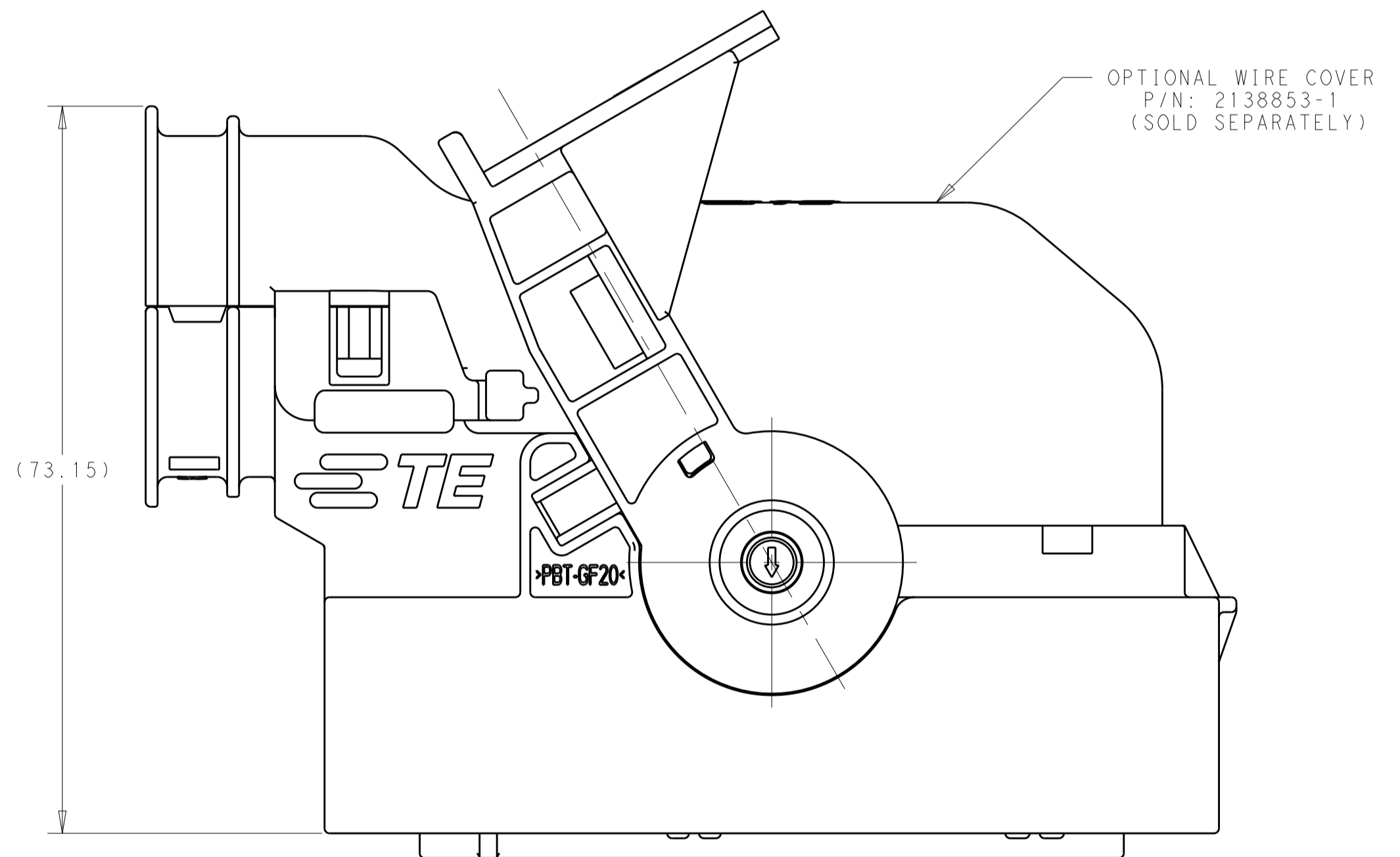
2138839-1 SHOWN
 LEVER SHOWN IN CLOSED
 (AS SHIPPED) POSITION

REVISIONS				
P.	LTN.	DESCRIPTION	DATE	APVD.
A		RELEASED PER ECO-13-013884	29AUG2013	RGV RN
A1		REVISED PER ECO-14-012597	18AUG2014	DD RN
B		REVISED PER ECO-15-004715	27MAR2015	JM RN



1. MATING PART: TE P/N 2138846-X.
2. DESIGNED FOR CORRUGATED TUBE NW26.
3. TPA SHOWN IN PRE-STAGED (AS SHIPPED) POSITION.
4. KEY MARKING IN APPROXIMATE AREA SHOWN.
5. ASSEMBLY P/N AND DATE CODE MARKED IN APPROXIMATE AREA SHOWN. SEE TABLE FOR P/N TO KEY RELATIONSHIP.
6. SEE TABLE FOR PLUG HOUSING COLOR TO KEY RELATIONSHIP.

LEVER SHOWN IN OPEN POSITION



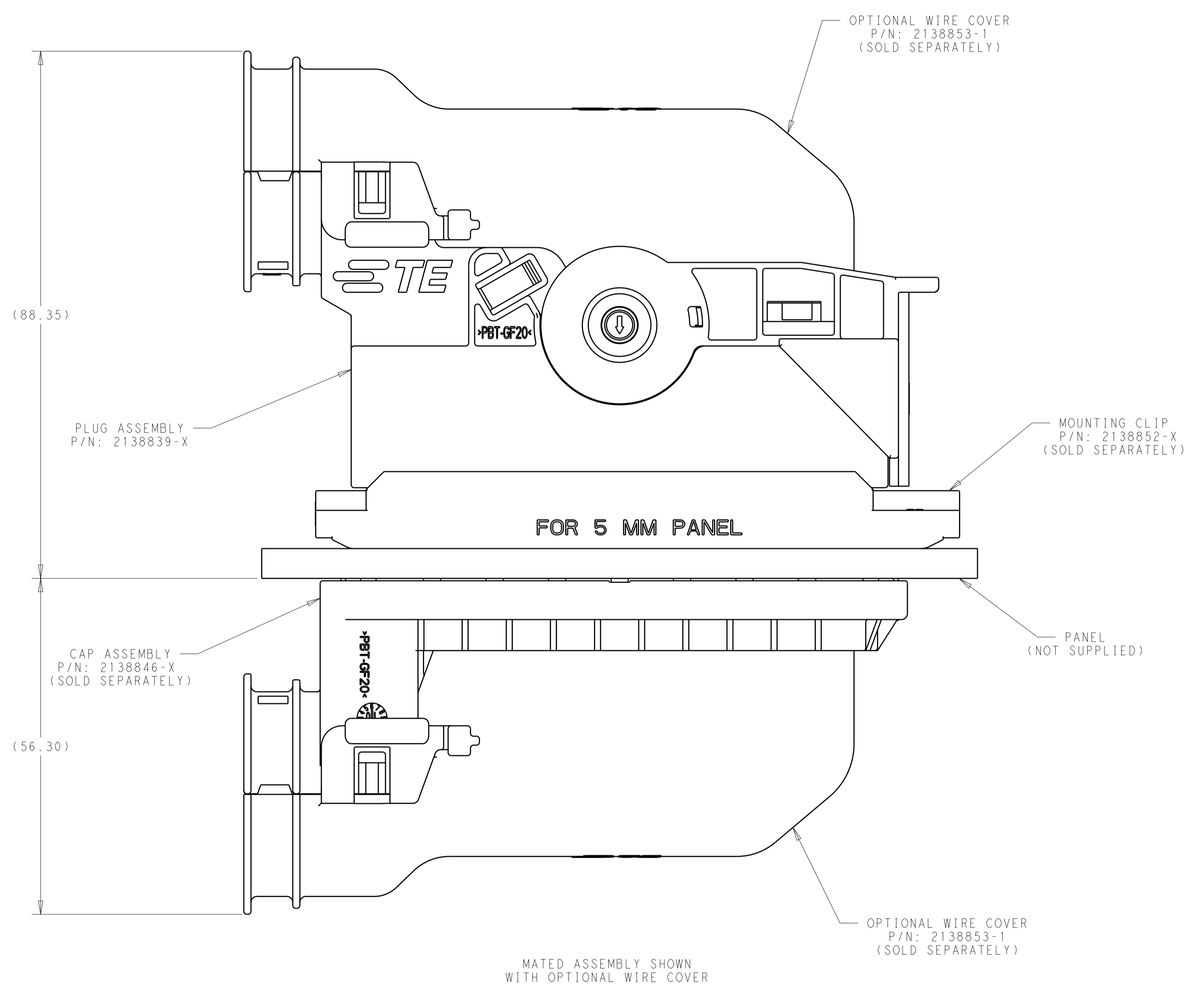
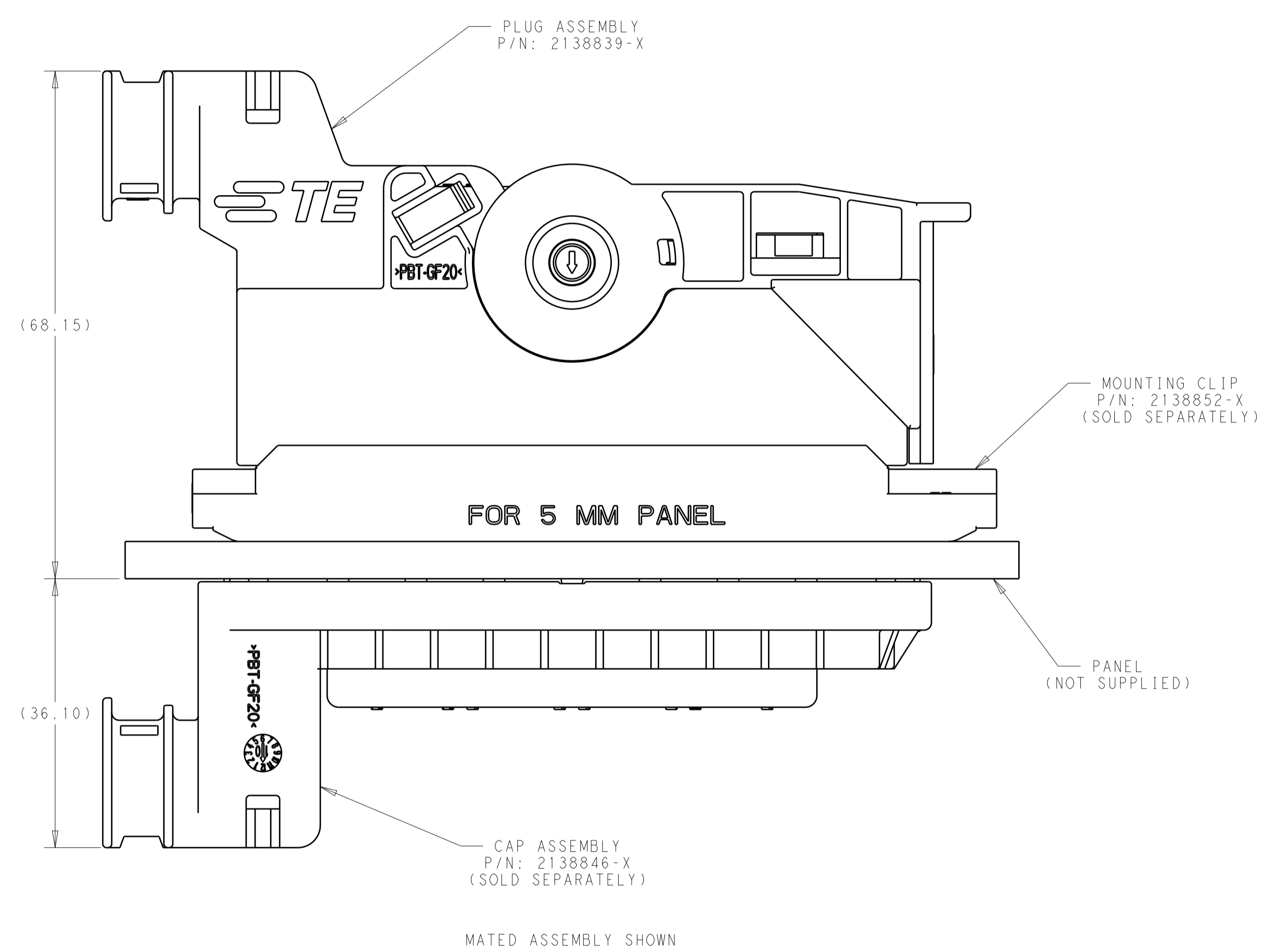
LEVER SHOWN IN OPEN POSITION
 WITH OPTIONAL WIRE COVER

(4) SIZE 12: 2.82 MIN, 4.09 MAX (24) SIZE 16: 1.68 MIN, 2.77 MAX	28 POSITIONS TOTAL (4) SIZE 12 (24) SIZE 16	KEY B	BROWN	2138839-2
		KEY A	BLACK	2138839-1
WIRE DIA.	DESCRIPTION	KEY 4	HSG. COLOR 6	PART NO 5

THIS DRAWING IS A CONTROLLED DOCUMENT.

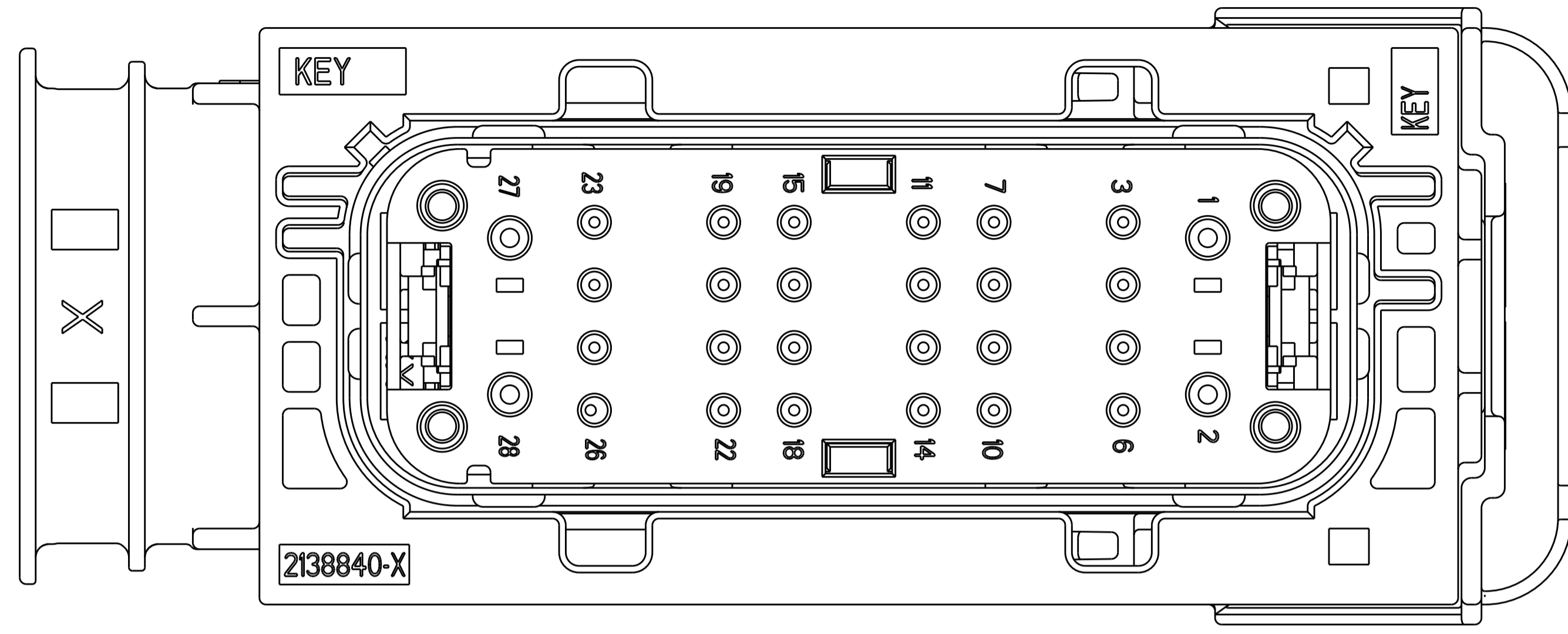
DIMENSIONS:	TOLERANCES UNLESS OTHERWISE SPECIFIED:	OWN: R. VESTAL 13JAN2012	NAME: PLUG ASSEMBLY, AMPSEAL 16 HYBRID LEVER
mm	0 PLC ± 1 PLC ± 2 PLC ± 3 PLC ± 4 PLC ± ANGLES ±1*	CHK: R. NARANG 30JAN2012	TE Connectivity
MATERIAL:	FINISH:	APVD: D. KLEIN 30JAN2012	RESTRICTED TO
SEE TABLE	SEE TABLE	PRODUCT SPEC: 108-32036	A 100779 C=2138839
		APPLICATION SPEC: 114-32117	SCALE: 2:1 SHEET 1 OF 3 REV B
		WEIGHT:	CUSTOMER DRAWING

REVISIONS				
P.	LTN	DESCRIPTION	DATE	OWN APVD
-	-	SEE SHEET 1	-	-

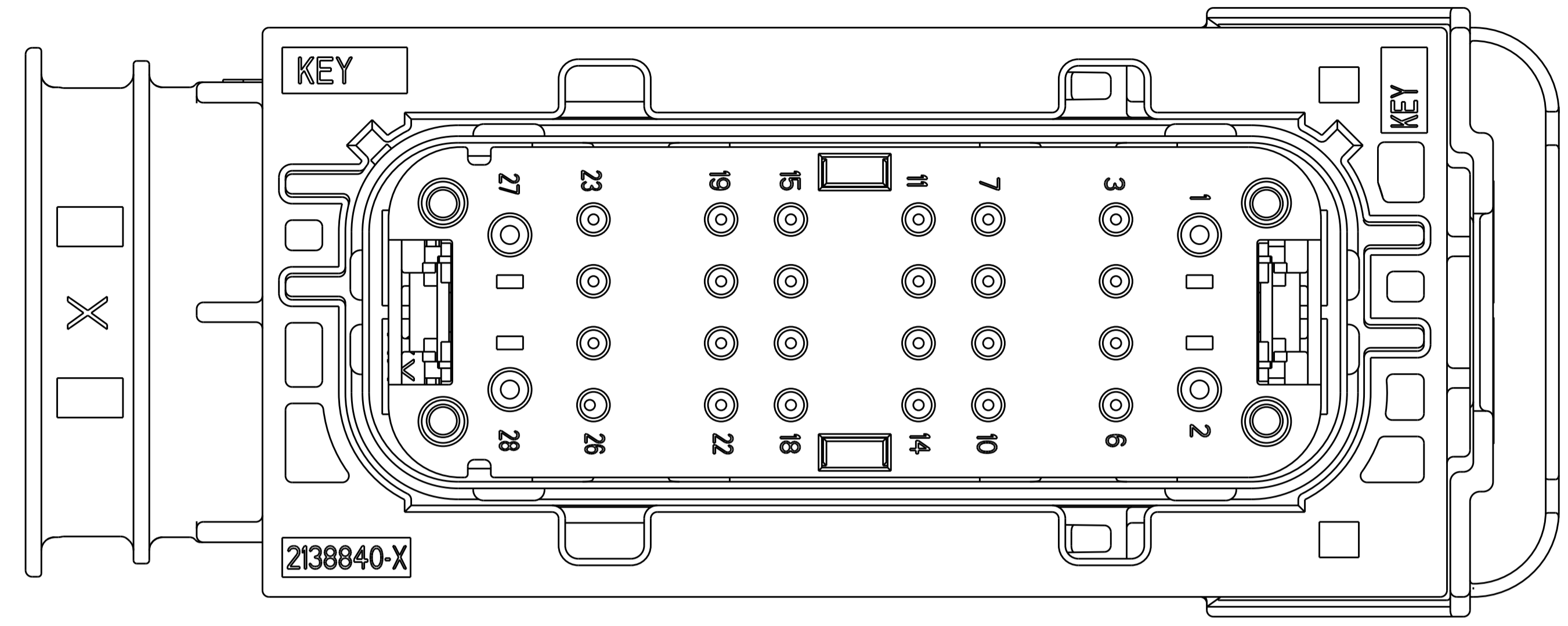


THIS DRAWING IS A CONTROLLED DOCUMENT.		OWN R. VESTAL 13JAN2012	TE Connectivity
DIMENSIONS: mm		CHK R. NARANG 30JAN2012	
TOLERANCES UNLESS OTHERWISE SPECIFIED:		APVD D. KLEIN 30JAN2012	NAME PLUG ASSEMBLY, AMPSEAL 16 HYBRID LEVER
0 PLC ±	1 PLC ±	PRODUCT SPEC	SIZE 108-32036
2 PLC ±	3 PLC ±	APPLICATION SPEC	RESTRICTED TO
4 PLC ±	ANGLES ±	114-32117	SCALE 2:1
MATERIAL SEE TABLE	FINISH SEE TABLE	WEIGHT CUSTOMER DRAWING	REV B

REVISIONS				
P.	LTN	DESCRIPTION	DATE	APVD
-	-	SEE SHEET 1	-	-



SCALE 3:1
 2138839-1, KEY A SHOWN



SCALE 3:1
 2138839-2, KEY B SHOWN

THIS DRAWING IS A CONTROLLED DOCUMENT.		DWN R. VESTAL 13JAN2012 CHK R. NARANG 30JAN2012 APVD D. KLEIN 30JAN2012	
DIMENSIONS: mm 	TOLERANCES UNLESS OTHERWISE SPECIFIED: 0 PLC ± 1 PLC ± 2 PLC ± 3 PLC ± 4 PLC ± ANGLES ±1° FINISH	NAME PLUG ASSEMBLY, AMPSEAL 16 HYBRID LEVER	
MATERIAL	SEE TABLE	PRODUCT SPEC 108-32036 APPLICATION SPEC 114-32117 WEIGHT	SIZE CAGE CODE DRAWING NO A100779C=2138839
SEE TABLE		CUSTOMER DRAWING	RESTRICTED TO SCALE 2:1 SHEET 3 OF 3 REV B

单击下面可查看定价，库存，交付和生命周期等信息

[>>TE Connectivity\(泰科\)](#)