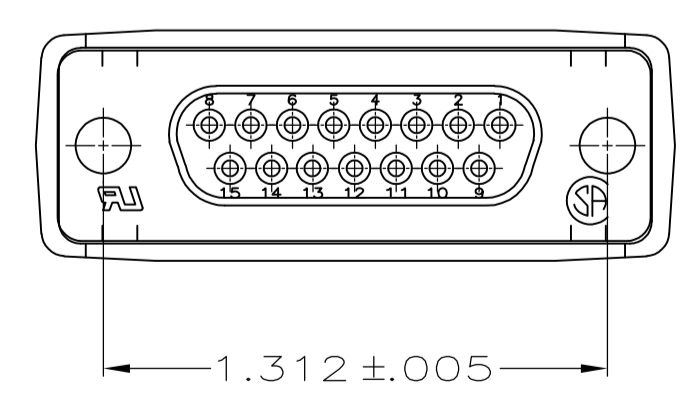
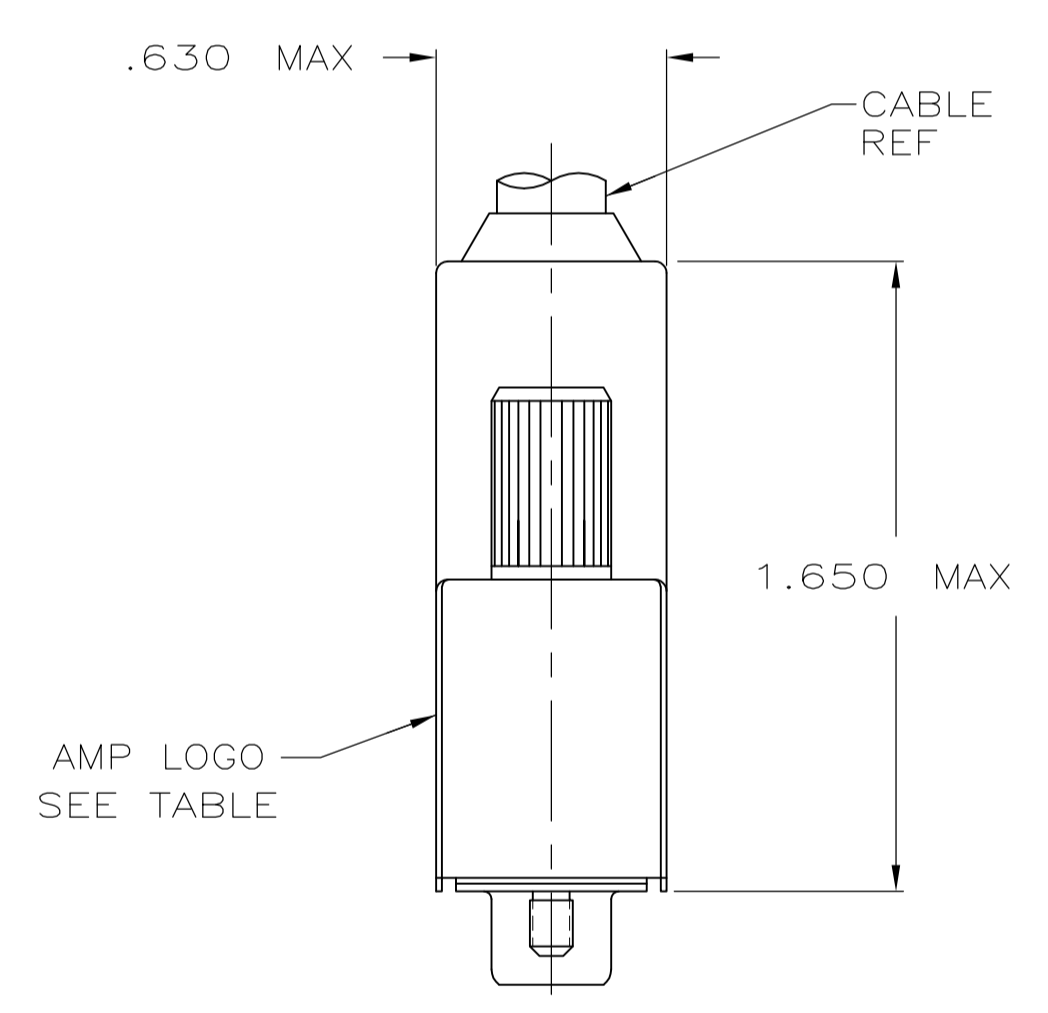
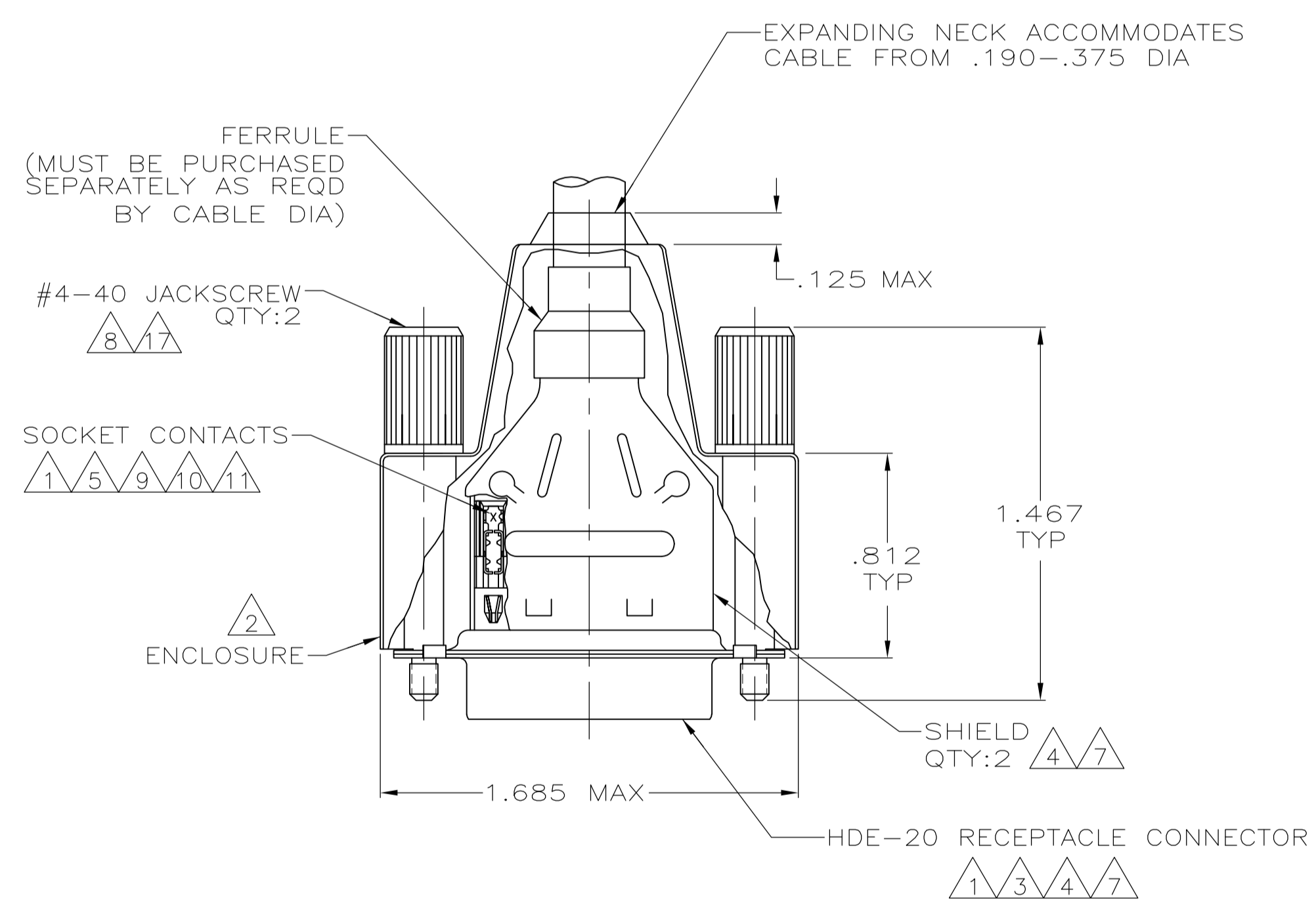


| REVISIONS | | | | | |
|-----------|-----------|---------------------------|----|-----|------|
| REV | DATE | DESCRIPTION | BY | CHK | APPV |
| AA | 20MAR2017 | REVISED PER ECO-17-002903 | AP | DG | |

- 1 RECEPTACLE CONNECTOR FULLY LOADED WITH CONTACTS. ALL OTHER PARTS ARE SHIPPED UNASSEMBLED. EACH PART INDIVIDUALLY BULK PACKED.
- 2 FLAME RETARDANT 94V-0 RATED, POLYOLEFIN OR PVC, BLACK.
- 3 FLAME RETARDANT 94V-0 RATED, GLASS-FILLED, NYLON OR POLYESTER, BLACK.
- 4 STEEL PER ASTM A109.
- 5 PHOSPHOR BRONZE PER QQ-B-750.
- 6 GOLD PLATING PER MIL-G-45204, NICKEL PLATING PER QQ-N-290, TIN PLATING PER MIL-T-10727, ZINC PLATING PER B633, TYPE II, CLASS SCI, BLACK CHROMATE.
- 7 TIN PLATED.
- 8 BLACK ZINC FLAKE COATING.
- 9 PLATED WITH GOLD FLASH ON MATING END FOR LENGTH OF .100 MIN, .000100-.000200 TIN OR TIN LEAD ON TERMINATION END, ALL OVER .000030 MIN NICKEL ON ENTIRE CONTACT.
- 10 PLATED WITH .000030 GOLD FOR LENGTH OF .100 MIN FROM MATING END, WITH POINT OF MEASUREMENT .050 FROM MATING END OF CONTACT, .000100-.000200 TIN OR TIN LEAD ON TERMINATION END, ALL OVER .000030 MIN NICKEL ON ENTIRE CONTACT.
- 11 NUMBER ON CONTACT INDICATES WIRE RANGE.
- 12 OBSOLETE PART NUMBER.
- 13 SEE RESTRICTED CUSTOMER DRAWING 1-747945-3.
- 14 CONTACTS SELECTIVELY LOADED IN POSITIONS 2,3,5,6,9,10,12, & 13.
- 15 PLATED WITH .000030 GOLD FOR LENGTH OF .100 MIN FROM MATING END, .000100-.000200 TIN ON TERMINATION END, ALL OVER .000050 MIN NICKEL UNDERPLATE ON ENTIRE CONTACT.
- 16 PLATED WITH GOLD FLASH FOR A LENGTH OF .100 MIN FROM MATING END, .000100-.000200 TIN ON TERMINATION END, ALL OVER .000030 MIN NICKEL UNDERPLATE ON ENTIRE CONTACT.
- 17 CARBON STEEL, C1022.



| REV | DATE | DESCRIPTION | BY | CHK | APPV |
|----------------|------|-------------|------------|-------------|------------|
| 16 | YES | 2 | 22-26 | 12 | 1-747945-6 |
| 15 | YES | 1 | 26-30 | | 1-747945-5 |
| 9 | YES | 2 | 22-26 | 13, 12 | 1-747945-4 |
| | | | | 13, 12 | 1-747945-3 |
| 9 | NO | 3 | 20-22 | 12 | 1-747945-2 |
| | NO | 2 | 22-26 | 12 | 1-747945-1 |
| | NO | 1 | 26-30 | 12 | 1-747945-0 |
| 10 | NO | 3 | 20-22 | 12 | 747945-9 |
| | NO | 2 | 22-26 | 12 | 747945-8 |
| | NO | 1 | 26-30 | 12 | 747945-7 |
| 9 | YES | 3 | 20-22 | 12 | 747945-6 |
| | YES | 2 | 22-26 | 12 | 747945-5 |
| | YES | 1 | 26-30 | 12 | 747945-4 |
| 10 | YES | 3 | 20-22 | 12 | 747945-3 |
| | YES | 2 | 22-26 | 12 | 747945-2 |
| | YES | 1 | 26-30 | 12 | 747945-1 |
| CONTACT FINISH | LOGO | 17 | WIRE RANGE | PART NUMBER | |

THIS DRAWING IS A CONTROLLED DOCUMENT.

| | | | | | |
|---------------------|--|-------------------------------|-----------------------|--------------------------|--|
| DIMENSIONS: INCHES | TOLERANCES UNLESS OTHERWISE SPECIFIED: | DIN L VARELA - DOCKS 11-17-04 | CHK J GERACE 11-17-04 | APVD M WALMSLEY 11-17-04 | NAME |
| 0 PLC ± - | 1 PLC ± - | STE TE Connectivity | | | SHIELDING ENCLOSURE KIT, RCPT, SIZE 2, 15 POSN, AMPLIMITE HDE-20 |
| 2 PLC ± - | 3 PLC ± .020 | APPLICATION SPEC | | | 114-40002 |
| 4 PLC ± - | ANGLES ± - | WEIGHT 0.000000 | SIZE A1 | CAGE CODE 00779 | DRAWING NO 747945 |
| MATERIAL 2,3,4,5,17 | FINISH 6,7,8 | CUSTOMER DRAWING | SCALE 2:1 | SHEET 1 OF 1 | REV AA |

单击下面可查看定价，库存，交付和生命周期等信息

[>>TE Connectivity\(泰科\)](#)