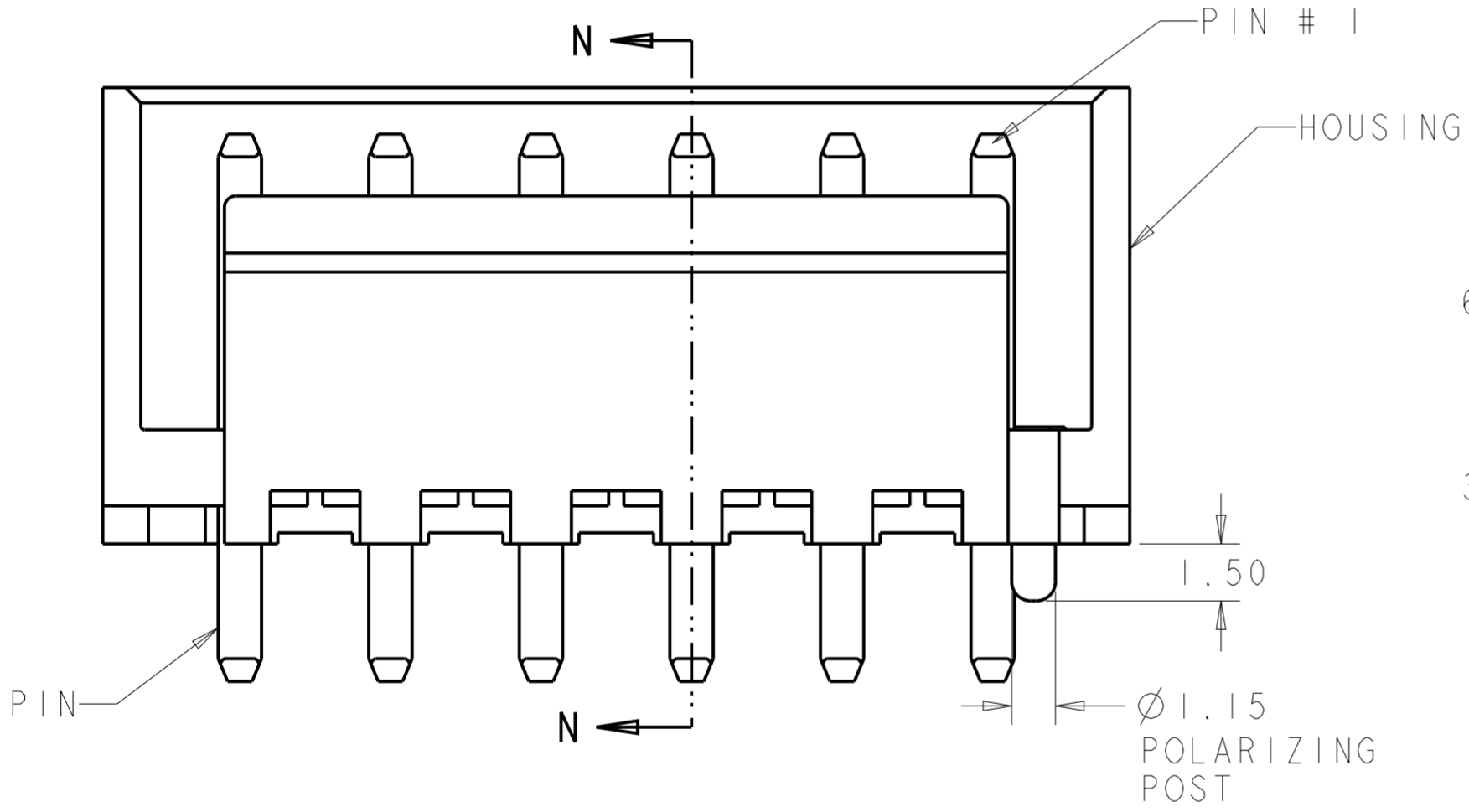
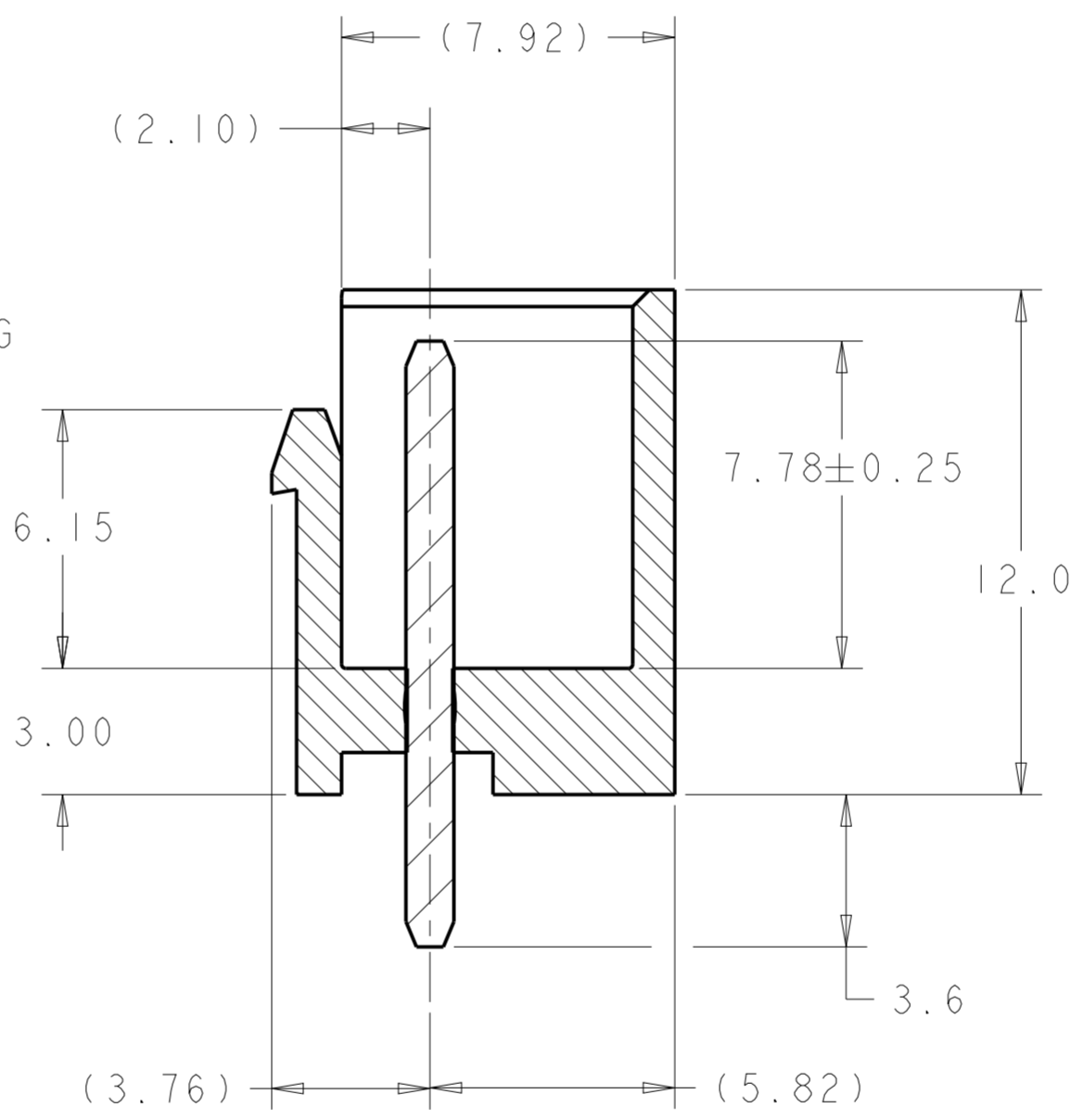
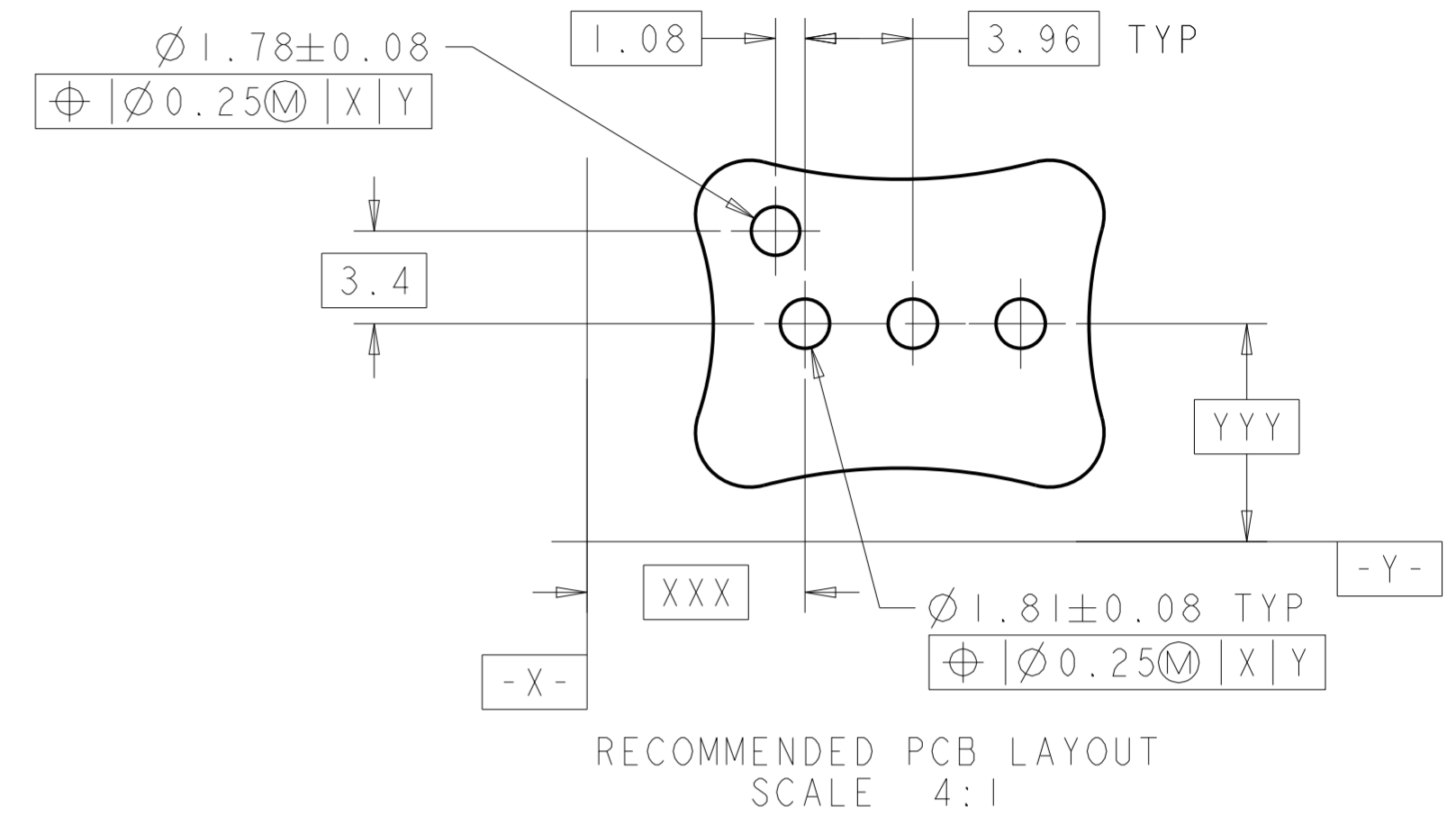
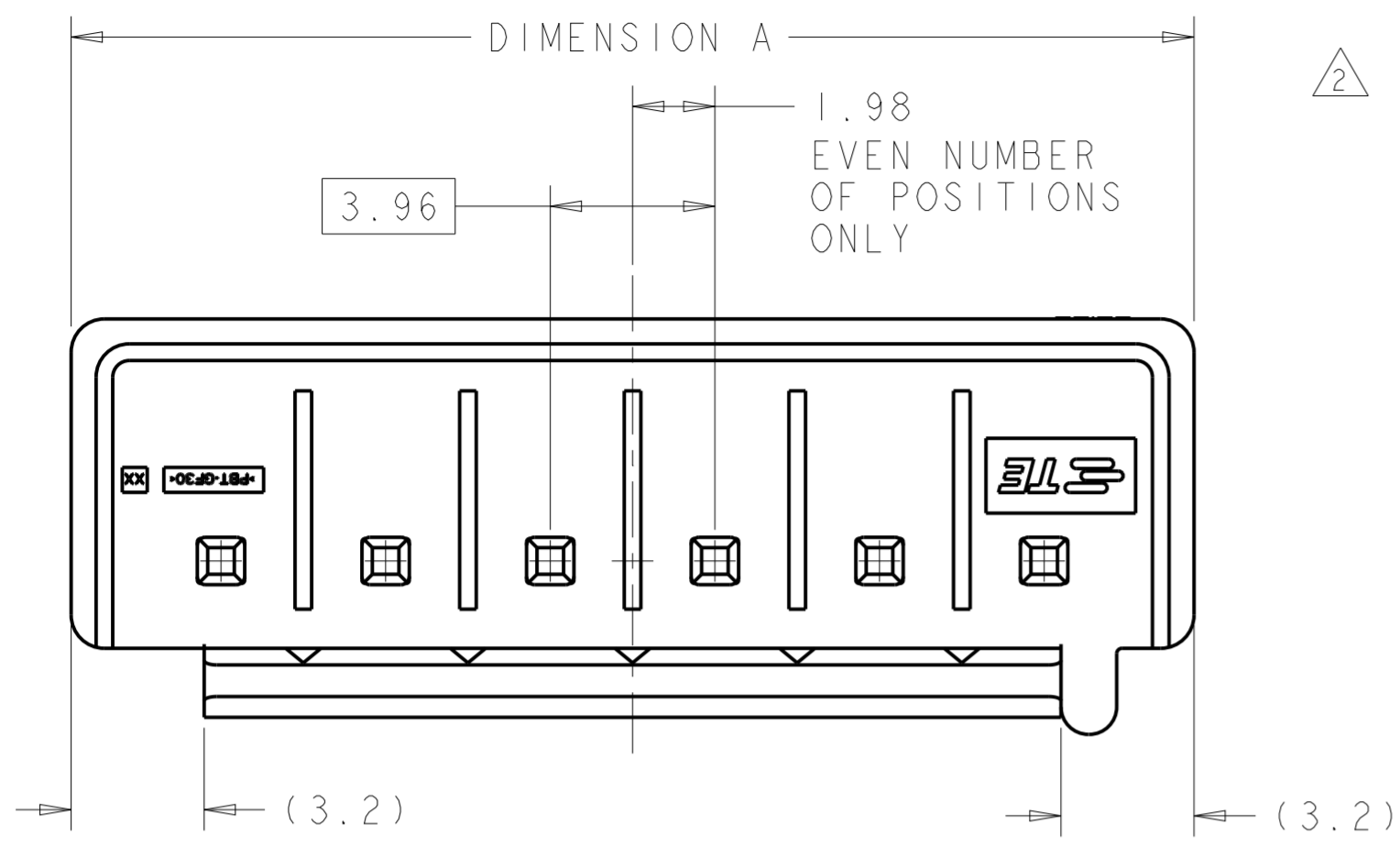


THIS DRAWING IS UNPUBLISHED. RELEASED FOR PUBLICATION 20  
 © COPYRIGHT 20 BY - ALL RIGHTS RESERVED.

LOC	DIST	REVISIONS					
GP	00	P	LTR	DESCRIPTION	DATE	DWN	APVD
		A		REVISED PER ECR-14-002687	07MAR2014	NK	TM

1 MATERIAL: HOUSING; PBT GLASS FILLED UL94V-0  
 PIN; BRASS  
 2 FINISH: PIN, 1.0µm MIN TIN OVER 0.8µm MIN NICKEL.



BLACK	50.77	12	1-1744490-2
BLACK	46.81	11	1-1744490-1
BLACK	42.85	10	1-1744490-0
BLACK	38.89	9	1744490-9
BLACK	34.93	8	1744490-8
BLACK	30.97	7	1744490-7
BLACK	27.01	6	1744490-6
BLACK	23.05	5	1744490-5
BLACK	19.09	4	1744490-4
BLACK	15.13	3	1744490-3
BLACK	11.17	2	1744490-2
COLOR	DIM A	POS	ASSEMBLY PART NO.

THIS DRAWING IS A CONTROLLED DOCUMENT.

DIMENSIONS:	TOLERANCES UNLESS OTHERWISE SPECIFIED:	DWN KIRAN HOLAL 25FEB2013	TE Connectivity
mm	0 PLC ±	CHK MICHELLE LUTTI, THOMAS 25FEB2013	
	1 PLC ±0.50	APVD MICHELLE LUTTI, THOMAS 25FEB2013	
	2 PLC ±0.30	NAME EP 10P HEADER SHROUD PEG BLACK	
	3 PLC ±	PRODUCT SPEC 108-5609	EP 10P HEADER SHROUD PEG BLACK
	4 PLC ±	APPLICATION SPEC	SIZE CAGE CODE DRAWING NO RESTRICTED TO
MATERIAL	ANGLES ±	WEIGHT	A200779 C-1744490
	FINISH	Customer Drawing	SCALE 6:1 SHEET 1 OF 1 REV A

单击下面可查看定价，库存，交付和生命周期等信息

[>>TE Connectivity\(泰科\)](#)