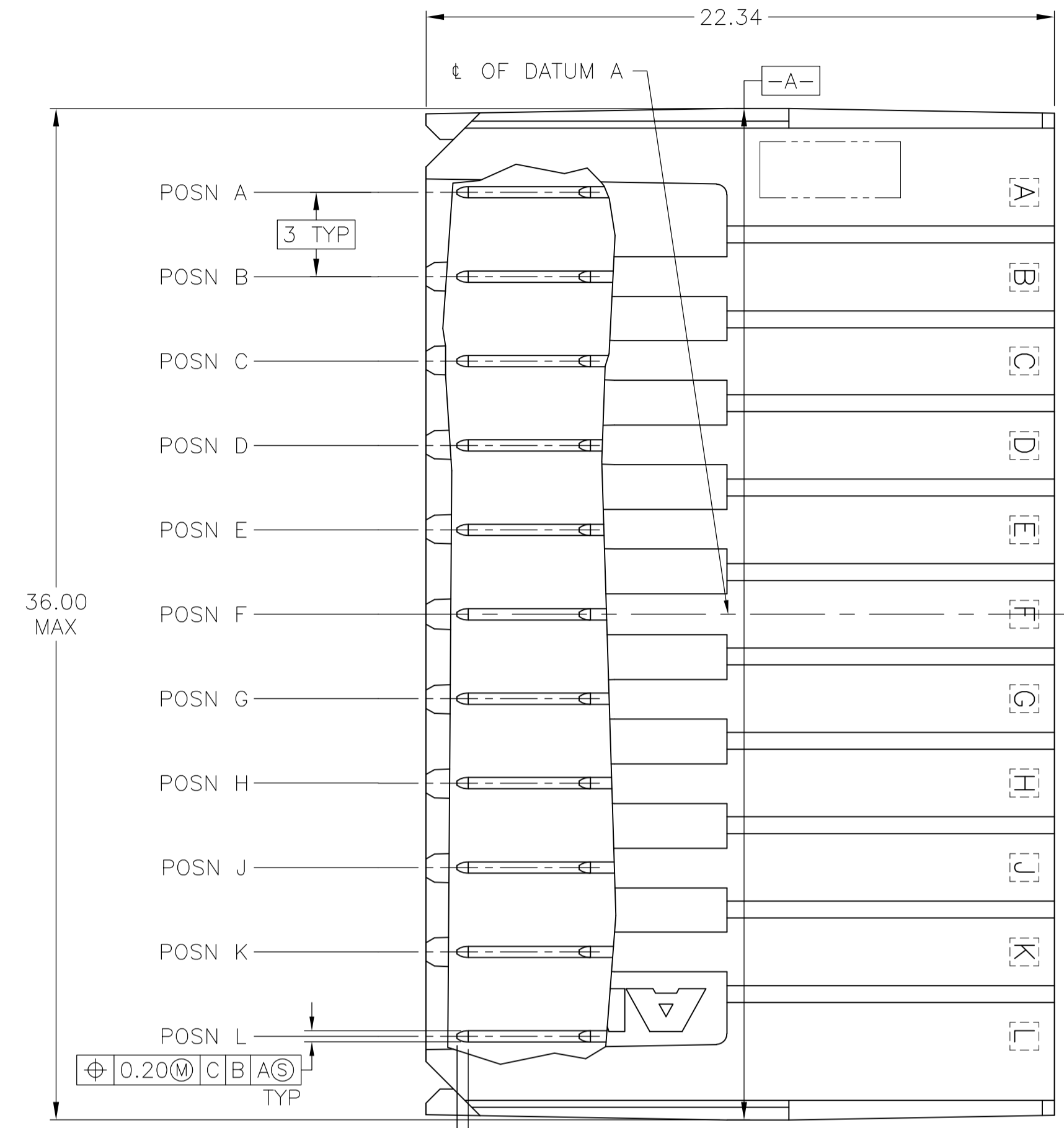
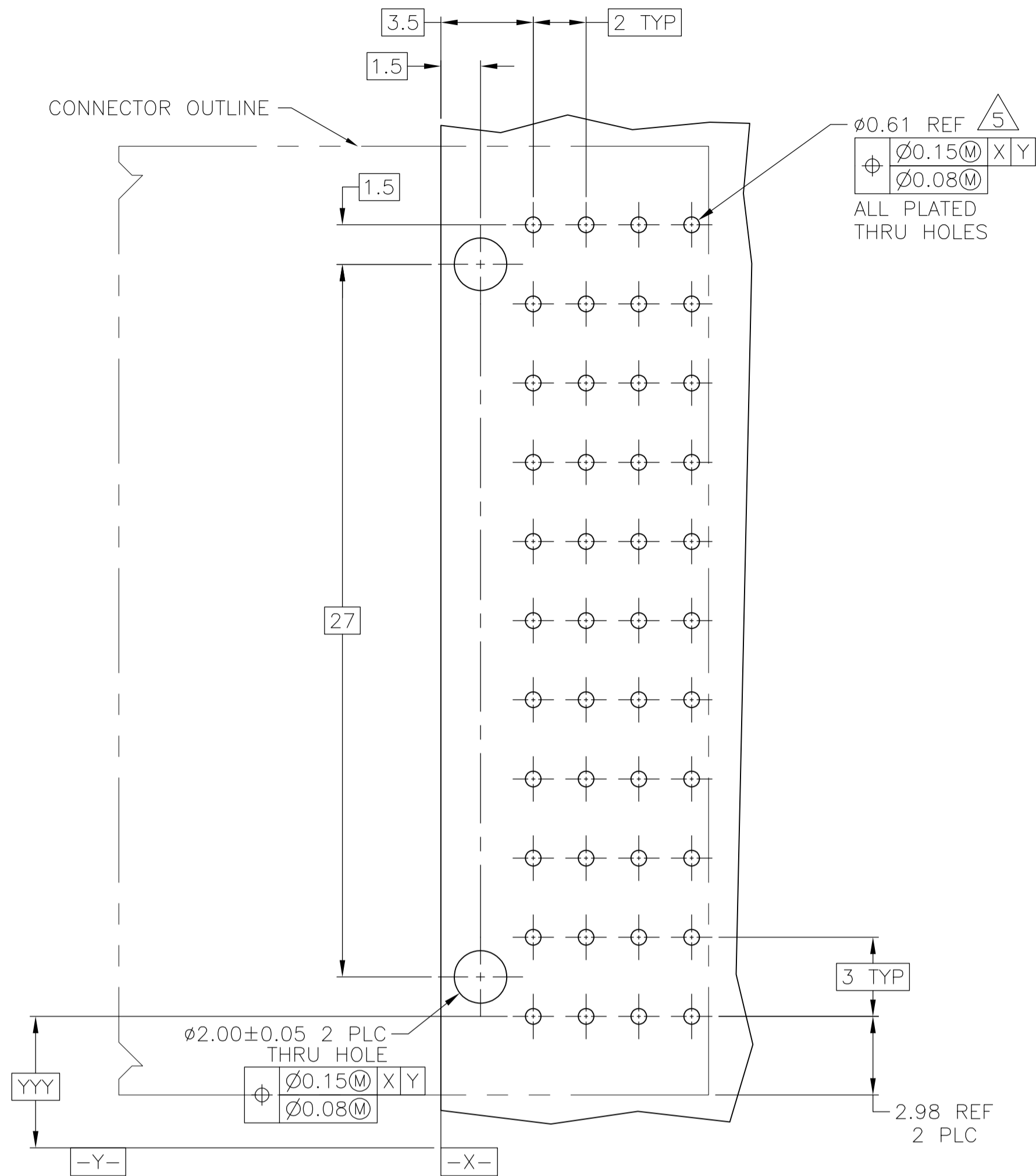
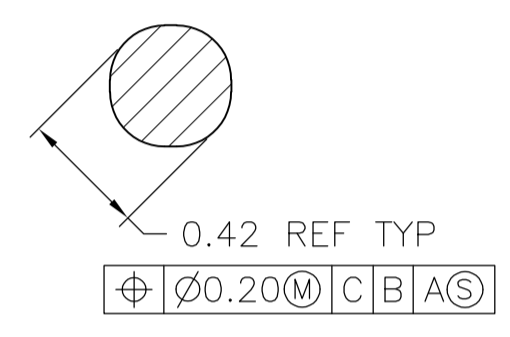


LOC		DIST		REVISIONS			
P	LTR	DATE	DMN	APVD			
E		04JAN11	DH	DY	REVISED PER ECO-11-000045		

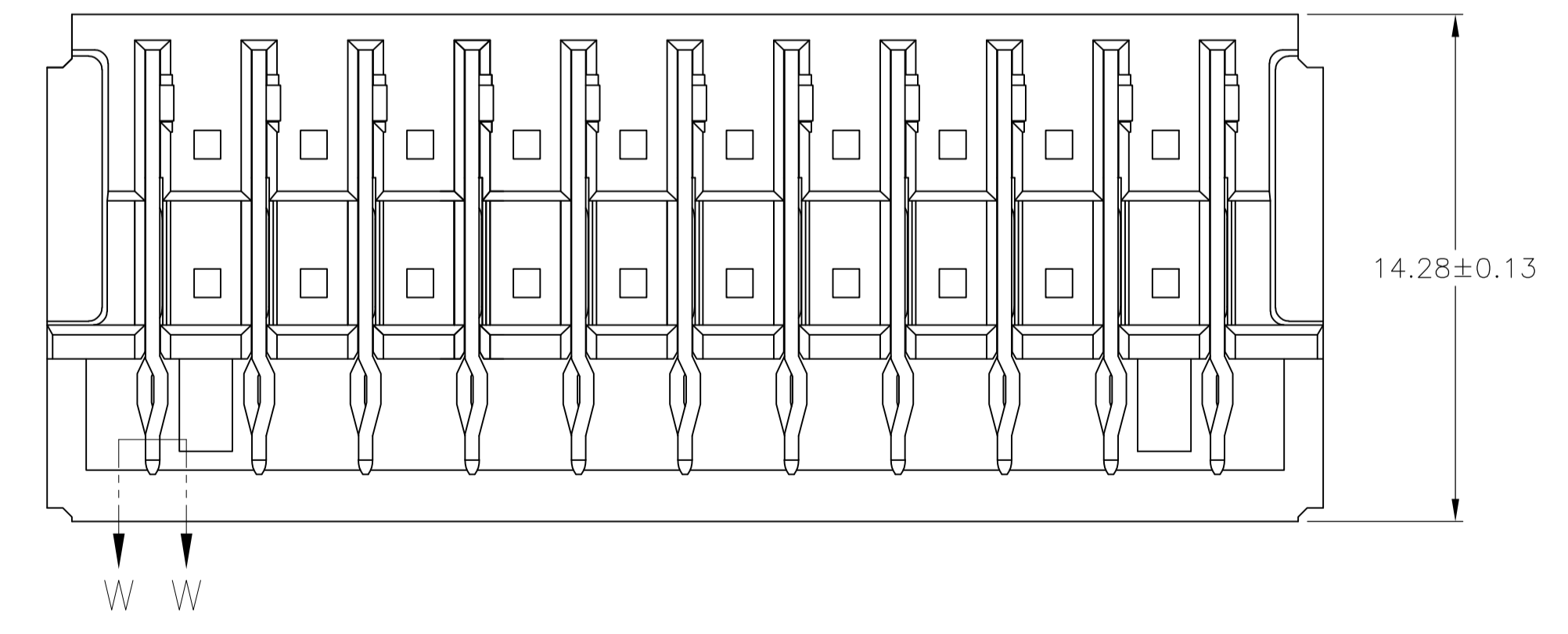
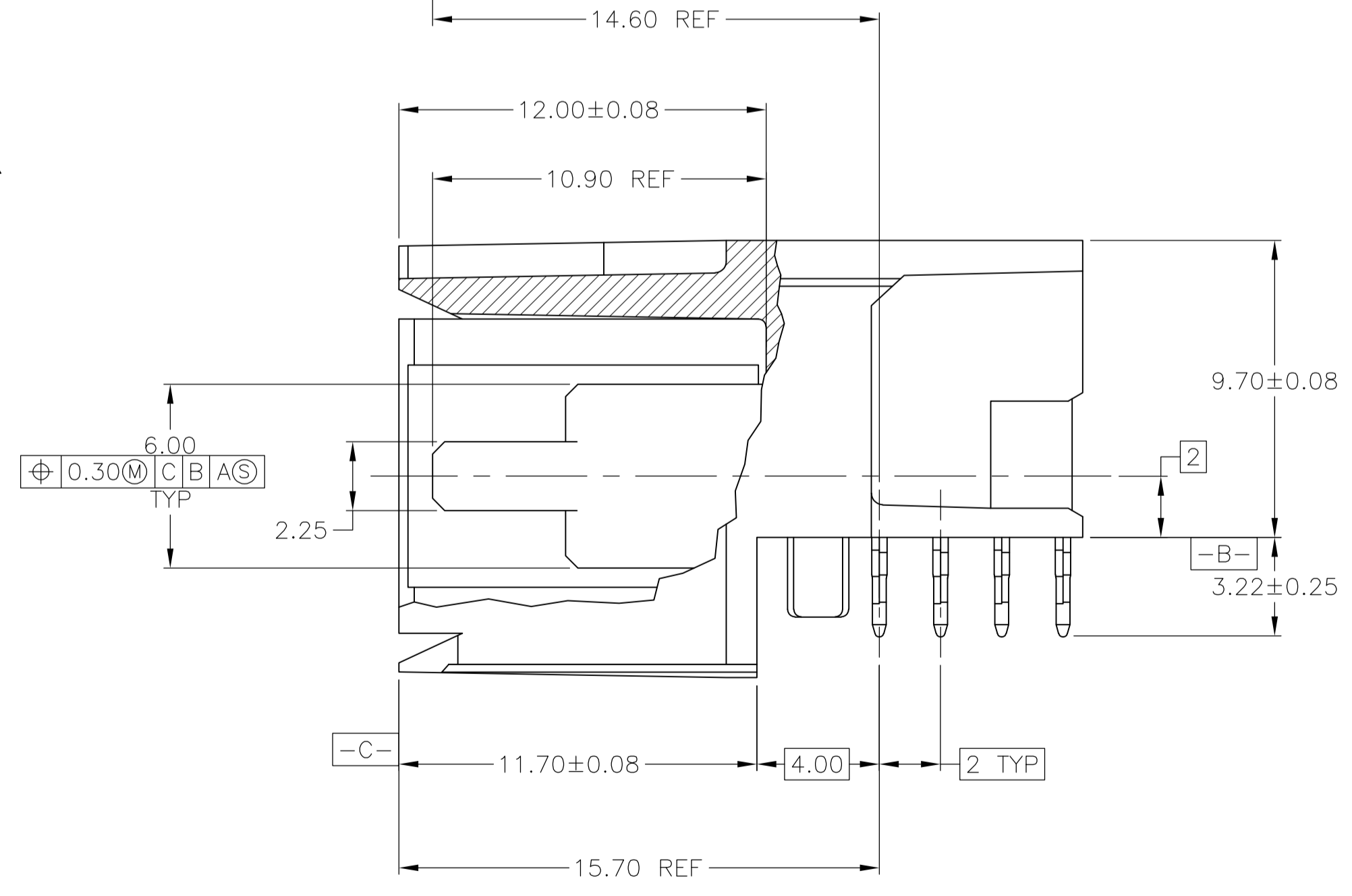
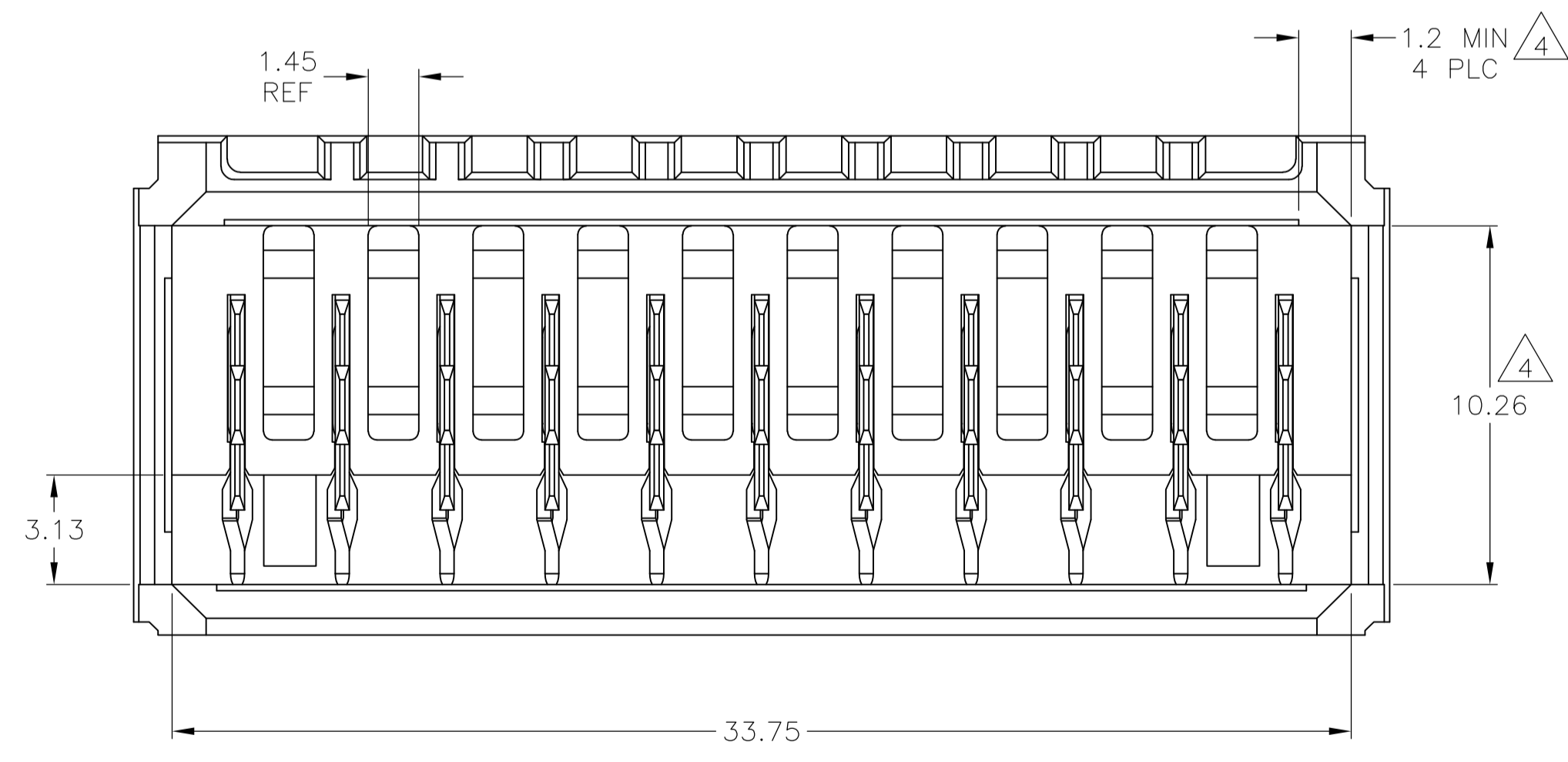


- 1 MATERIAL: HOUSING: POLYESTER, GRAY. UL 94V-0. CONTACT: HIGH CURRENT COPPER ALLOY.
- 2 FINISH: CONTACT MATING AREA: 1.27µm MIN GOLD OR 0.08µm MIN GOLD OVER 0.76µm MIN PALLADIUM-NICKEL. ACTION PIN AREA: 0.5µm MIN MATTE TIN PLATE, ALL OVER 1.27µm MIN NICKEL UNDERPLATE.
- 3 FINISH: CONTACT LUBRICATION WITH BELLCORE APPROVED LUBRICANT. TECHNICAL REFERENCE: GR-1217-CORE, ISSUE 1, NOVEMBER 1995.
- 4 THE 10.26±0.13 DIMENSION APPLIES IN THIS AREA.
- 5 REFERENCE APPLICATION SPEC 114-1103 FOR RECOMMENDED PLATED THRU HOLE DIAMETER AND PLATING THICKNESSES.
6. CURRENT RATING 16A/CONTACT PER PRODUCT SPEC 108-1651.



SECTION W-W  
SCALE 40:1

RECOMMENDED PCB HOLE LAYOUT



120961-1  
PART NUMBER

THIS DRAWING IS A CONTROLLED DOCUMENT.		DIN B CARDO 18OCT04	Tyco Electronics Corporation Harrisburg, PA 17105-3608
DIMENSIONS: mm		CIK R PATTERSON 18OCT04	
TOLERANCES UNLESS OTHERWISE SPECIFIED:		APVD R PATTERSON 18OCT04	NAME ASSEMBLY, RIGHT ANGLE HEADER, W/ RETENTION PEGS, UNIVERSAL POWER MODULE
0 PLC ± -		PRODUCT SPEC	
1 PLC ± -		APPLICATION SPEC	SIZE CAGE CODE DRAWING NO
2 PLC ± 0.13		RESTRICTED TO	A1 00779 C=120961
3 PLC ± -		WEIGHT	SCALE 6:1 SHEET 1 OF 1 REV E
4 PLC ± -		CUSTOMER DRAWING	
ANGLES ± -			

单击下面可查看定价，库存，交付和生命周期等信息

[>>TE Connectivity\(泰科\)](#)